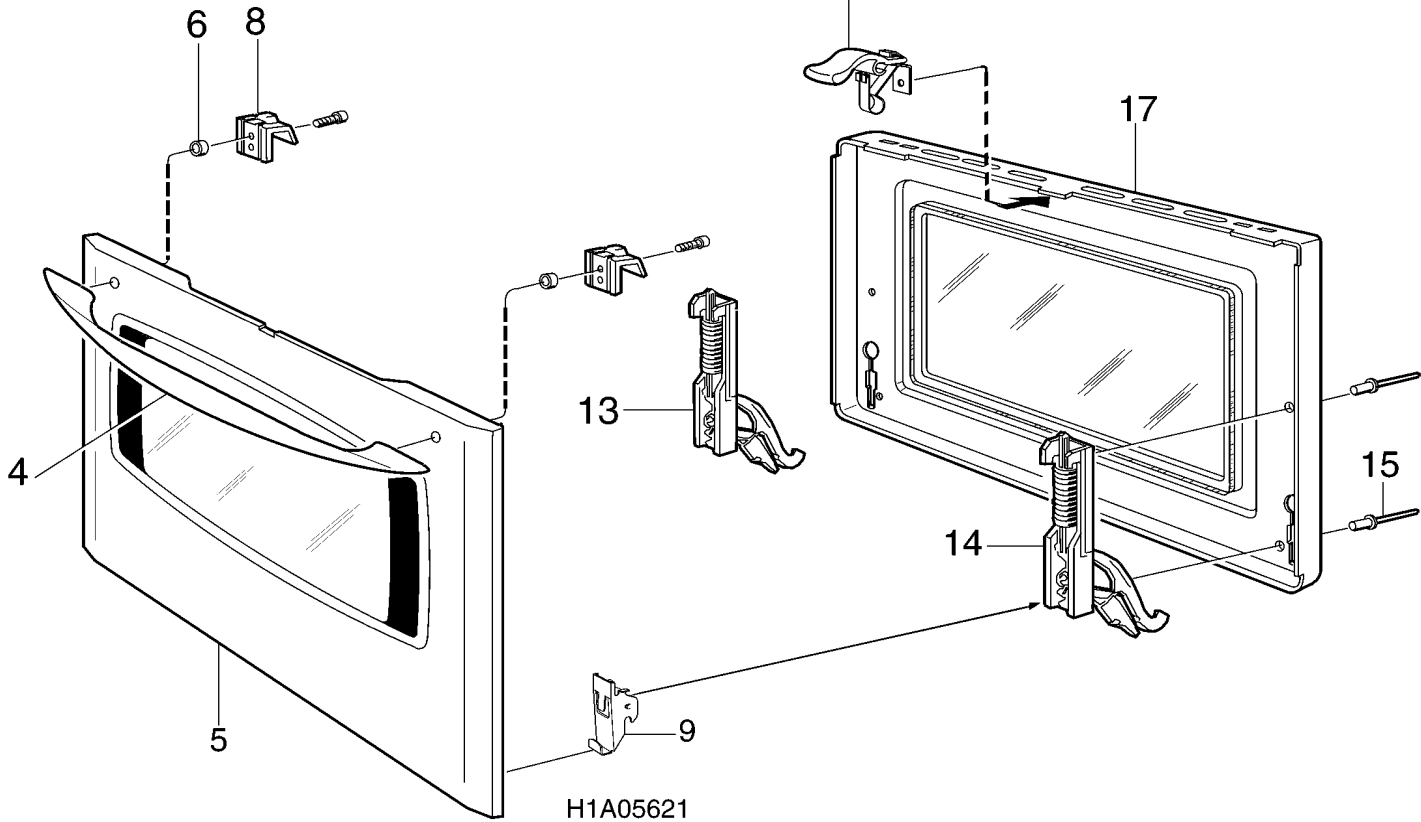


1



H1A05621