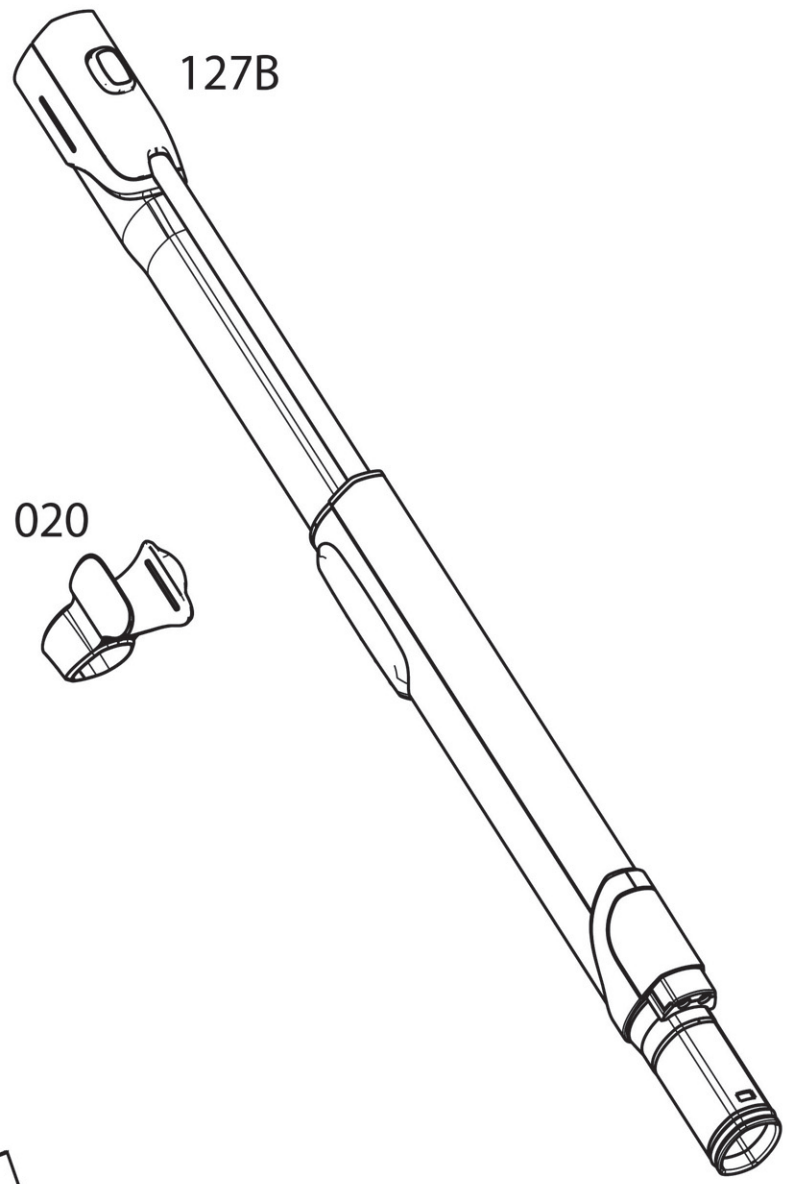


120



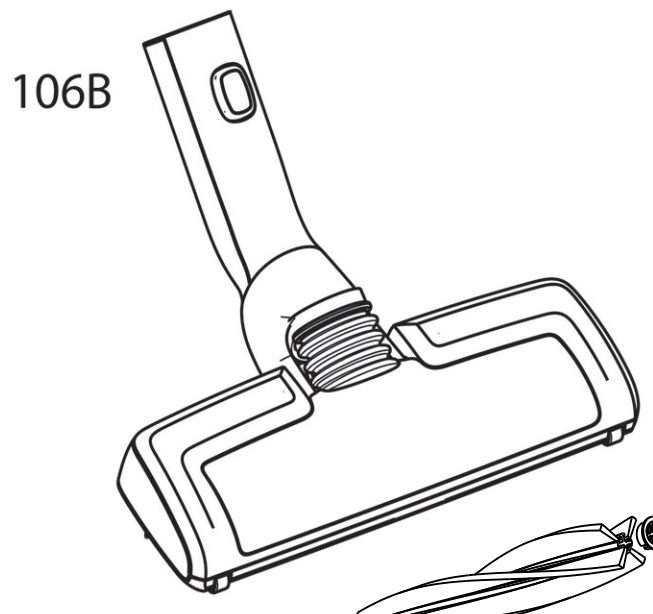
127B



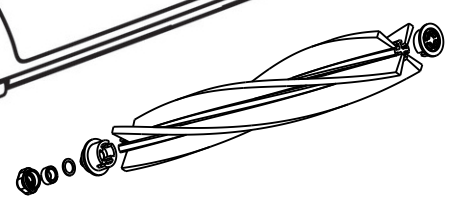
020



106M



106B



021

MIRAI HBTN ACTIVE