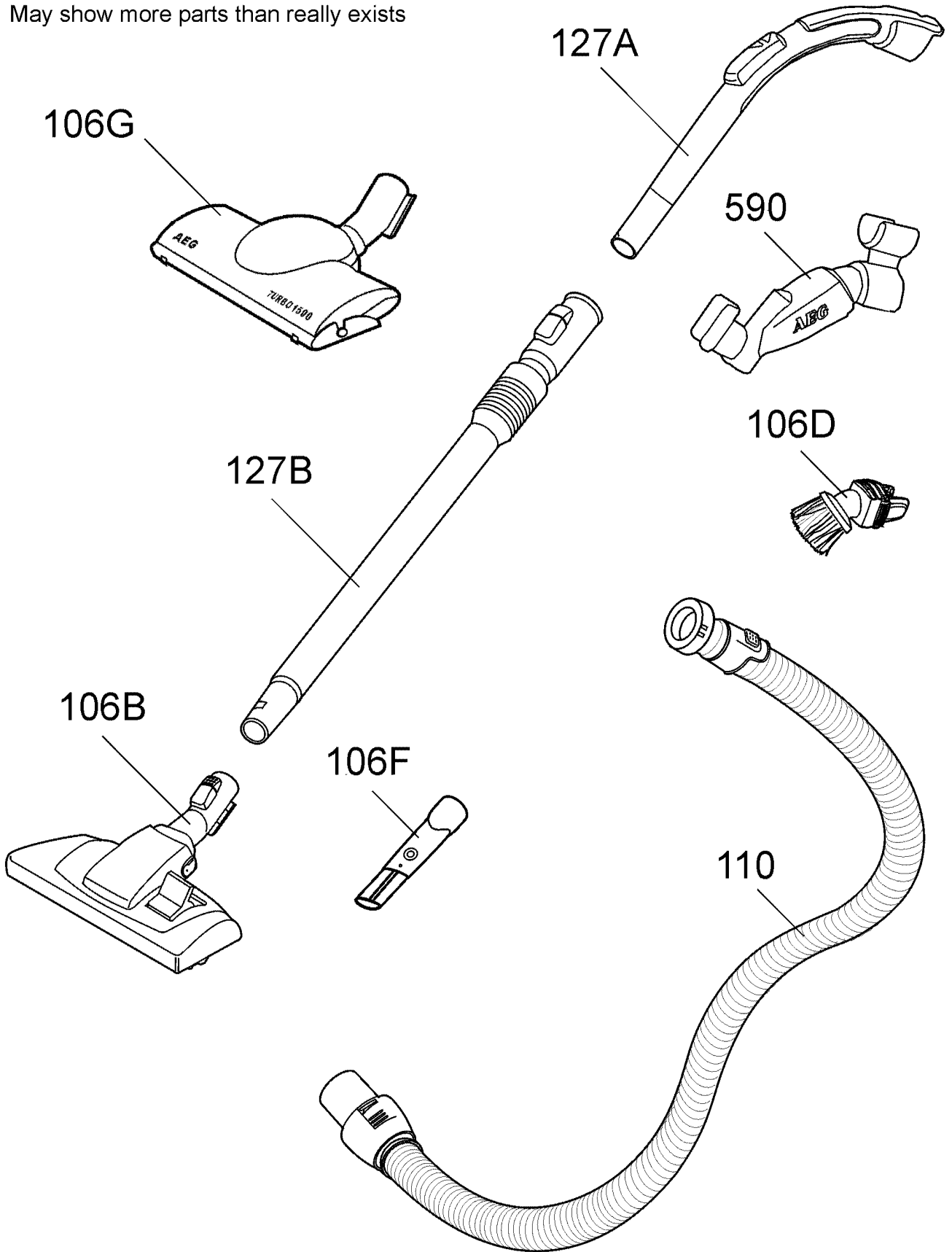


May show more parts than really exists



**PSYSPAC04**