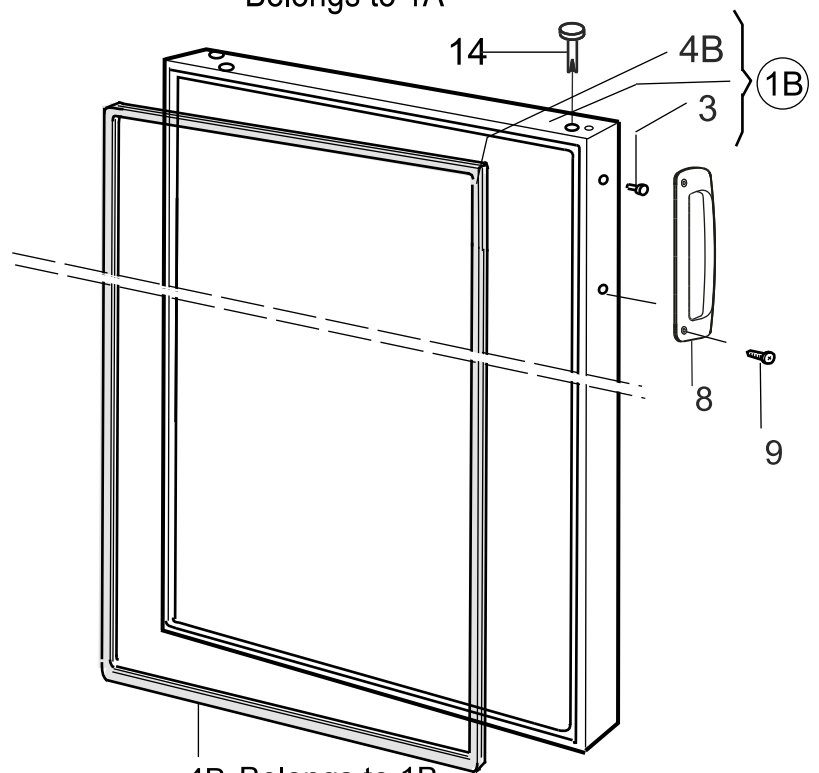


4A
Belongs to 1A



4B
Belongs to 1B