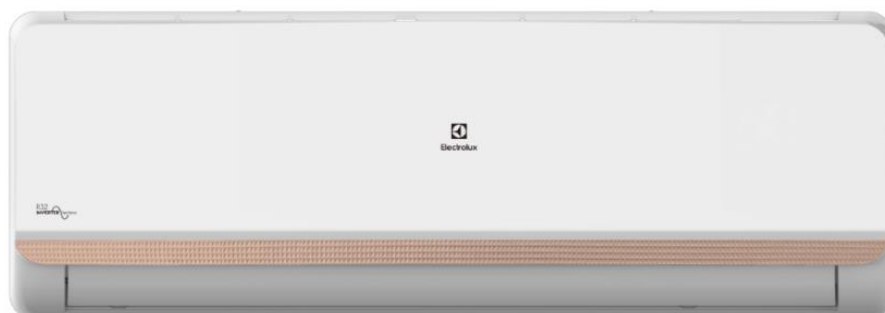


# Electrolux

## SPARE PARTS LIST

Split RAC  
(Cool only, Heat & Cool)  
4150



Item	PNC	ELC	Brand	Model	Market
A	956004711	00	Electrolux	ESV12CRT-A1	THE
A	956004735	00	Electrolux	ESV12CRT-A1I	THE
A	956004759	00	Electrolux	ESV12CRT-A1E	THE

### **SAFETY WARNING**

**Always turn off and unplug the machine before detaching any parts.**

When servicing machines, do not remove ANY detachable parts while the machine is powered. The reason is internal faults may cause shorts to components that are normally at low voltage presenting a shock hazard.

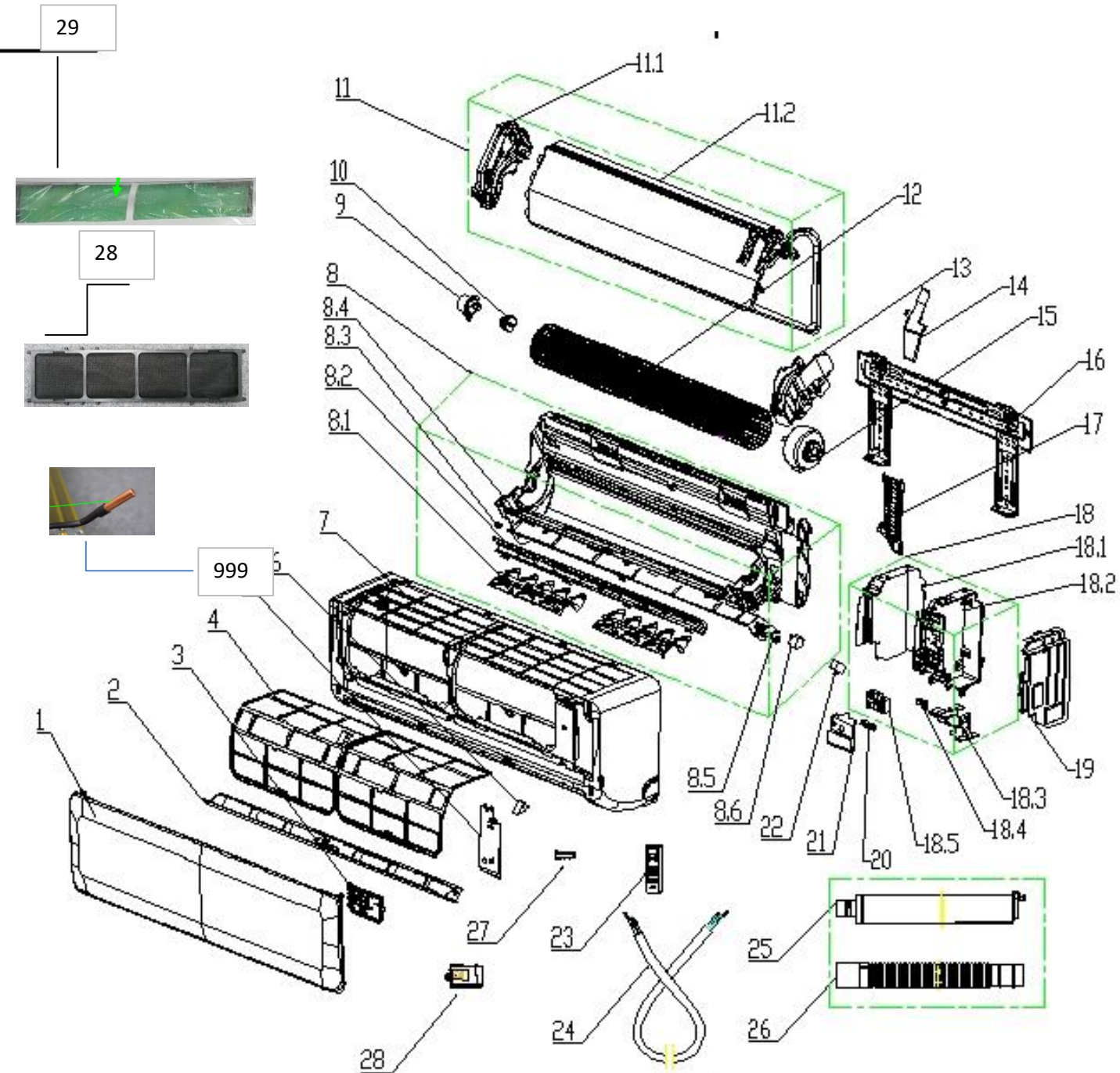
Electrolux Thailand Co.,Ltd.  
1910 Electrolux Building  
New Petchburi Rd. Bangkok  
Huaykwang  
Bangkok , 10310  
Tel : +662 725 9000

Publication-No  
200424

Split RAC (Cool only,  
Heat & Cool)

Model : ESV12CRT-A1I  
PNC : 956004735 00

Ex. View Drawing  
(Indoor Unit)



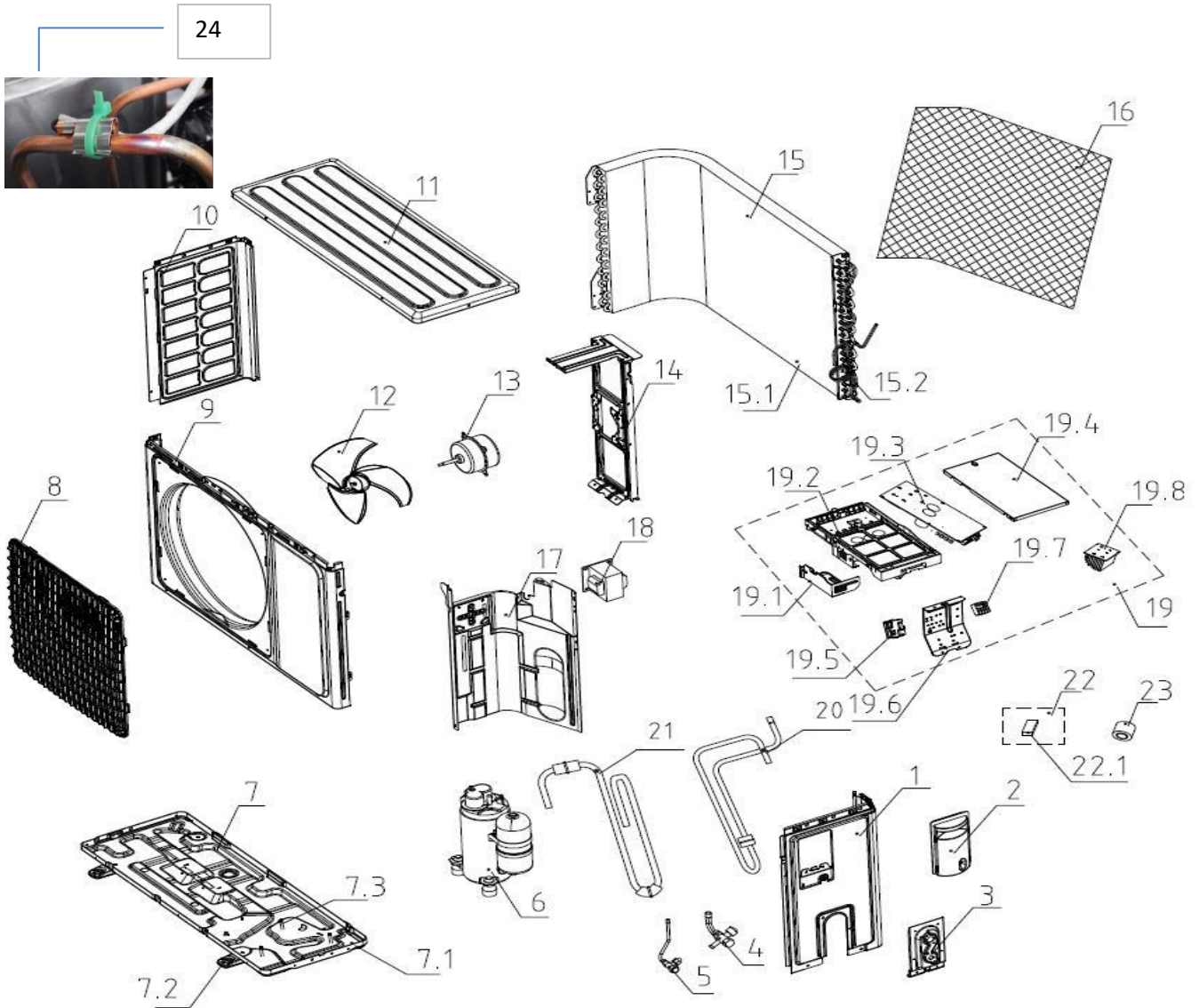
Item	PNC	ELC	Brand	Model	Market
A	956004711	00	Electrolux	ESV12CRT-A1	THE

Item	Part #	Description	
1	13220502007640	PANEL	1
2	11320005000382	AIR LOUVER ASSEMBLY	1
3	11222014000650	DISPLAY BOARD	1
<b>4</b>	<b>11220508000136</b>	<b>HEALTHY ANTI-BACTERIAL FILTER</b>	<b>2</b>
5	11320076000063	MEDIUM FRAME WIRING COVER	1
6	11320096000105	SCREW COVER	2
7	11320002000306	MEDIUM FRAME	1
8	11220500000166	CHASSIS ASSEMBLY	1
8.1	11320017000118	SWING BLADE	2
8.2	11320135000016	AIR LOUVER	1
8.3	11320079000010	SHAFT SLEEVE	1
8.4	11320001000217	CHASSIS	1
8.5	11320079000013	STEP MOTOR SHAFT SLEEVE	1
8.6	11230002000058	STEP MOTOR	1
9	11320062000028	BEARING FIXED CHASSIS	1
10	11220551000003	BEARING ASSEMBLY	1
11	13224003001841	EVAPORATOR ASSEMBLY	1
11.1	11320015000113	EVAPORATOR LEFT SIDE CARRIAGE	1
11.2	11224009000200	EVAPORATOR ASSEMBLY	1
11.2	11224009000199	EVAPORATOR ASSEMBLY	1
12	11220513000068	CROSS FLOW FAN	1
13	11320052000032	MOTOR COVER	1
14	11320065000028	BREAKWATER	1
15	11230005000035	INDOOR FAN MOTOR	1
16	11321003000041	MOUNTING PLATE ASSEMBLY	1
17	11320084000015	PIPE CLAMP	1
18	13222002002614	MAIN CONTROLLER 09 12ID CRT	1
18.1	11321012000006	CONTROLLER BOX SHEET-METAL B	1
18.2	11320057000089	CONTROLLER BOX	1
18.4	11320049000007	POWER WIRE CLAMP	1
18.5	11330037000020	TERMINAL BOARD	1
19	11321012000005	CONTROLLER BOX SHEET-METAL A	1
20	11320010000037	POWER WIRE CABLE CLAMP	1
21	11321012000007	CONTROLLER BOX SHEET-METAL C	1
23	11222001000869	REMOTE CONTROLLER	1
25	11220506000009	WATER OUTLET ASSEMBLY	1
26	11320020000008	DRAINING PIPE	1
27	11333003000009	PLUG	1
28	11320025000037	ACTIVE CARBON FILTER	1
29	11320025000036	VC FILTER	1
999	11329013000103	INTEGRATED TEMPERATURE SENSOR	1

ESV12CRT-A1I  
 PNC956004735 00

Model : ESV12CRT-A1E  
PNC : 956004759 00

Ex. View Drawing  
(Outdoor Unit)



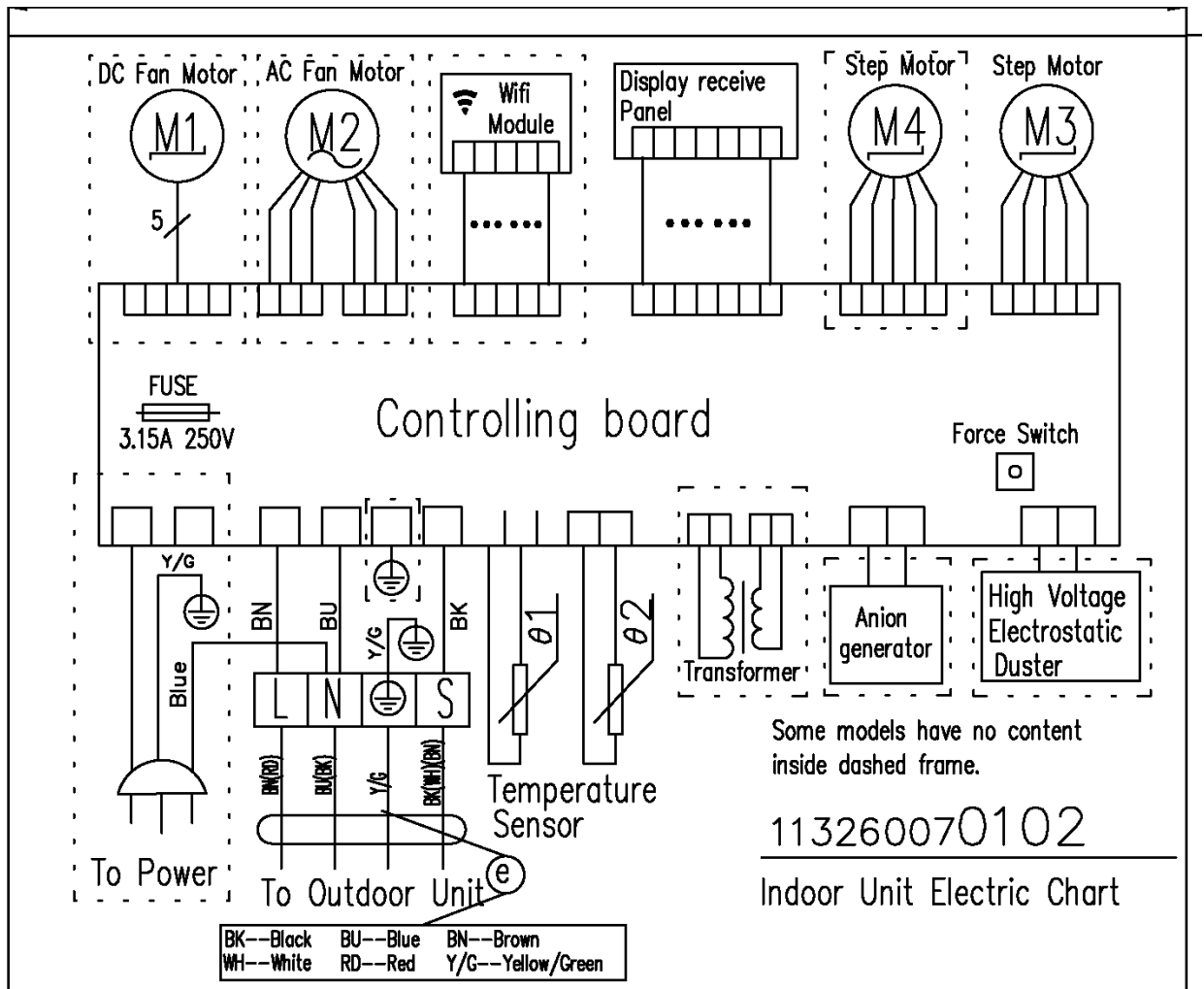
Item	PNC	ELC	Brand	Model	Market
A	956004759	00	Electrolux	ESV12CRT-A1E	THE

**ESV12CRT-A1E**  
**PNC 956004759 00**

Pos.	Part No.	Description	
1	11321007000306	right side panel	1
2	11320101000033	E-parts cover	1
3	11321031000027	valve plate	1
4	11325042000030	stop valve	1
5	11225517000006	stop valve	1
6	11223015000140	Compressor assembly	1
7	11221502000440	Chassis assembly	1
7.1	11321014000145	chassis	2
7.2	11321023000019	base footing	3
7.3	14731005000064	bolt	1
8	11320026000062	panel grille	1
9	11321005000107	panel	1
10	11321006000113	left side board	1
11	11321009000057	top cover	1
12	11320009000063	axial flow fan	1
13	11230005000012	motor	1
14	11321002000040	motor support	1
15	13224004002159	Condenser assembly	1
15.1	11224006000447	condenser assembly	1
16	11321022000222	rear grille	1
17	11321025000059	partition board	1
18	11330034000008	reactor	1
19	11222004001035	Main controller 12OD CRT	1
19.2	11320057000101	control box	1
19.3	11222031001143	Main control board	1
19.4	11320058000081	control box cover	1
19.6	11321015000071	E-parts bracket	1
19.7	11330037000171	terminal board	1
19.8	11329031000054	heat radiator	1
19.8	11329031000031	heat radiator	1
20	11325020001765	discharge pipe assembly	1
21	11225504000975	suction pipe assembly	1
22	11219005000203	accessory bag	1
22.1	14618079000002	putty	1
23	11320022000019	plastic tie	1
24	11329013000105	Discharge Temp Sensor	1
25	11225525000060	E-Expansion Valve	1

Model : ESV12CRT-A1  
PNC : 956004735 00

Ex. Wiring  
(Inoor Unit)



Model : ESV12CRT-A1E  
 PNC : 956004759 00

Ex. Wiring  
 (Outdoor Unit)

