

Electrolux

SPARE PARTS LIST

Split RAC
(Cool only, Heat & Cool)
4150



Item	PNC	ELC	Brand	Model	Market
A	956004707	00	Electrolux	ESV09CRU-A1	THE
A	956004731	00	Electrolux	ESV09CRU-A1I	THE
A	956004755	00	Electrolux	ESV09CRU-A1E	THE

SAFETY WARNING

Always turn off and unplug the machine before detaching any parts.

When servicing machines, do not remove ANY detachable parts while the machine is powered. The reason is internal faults may cause shorts to components that are normally at low voltage presenting a shock hazard.

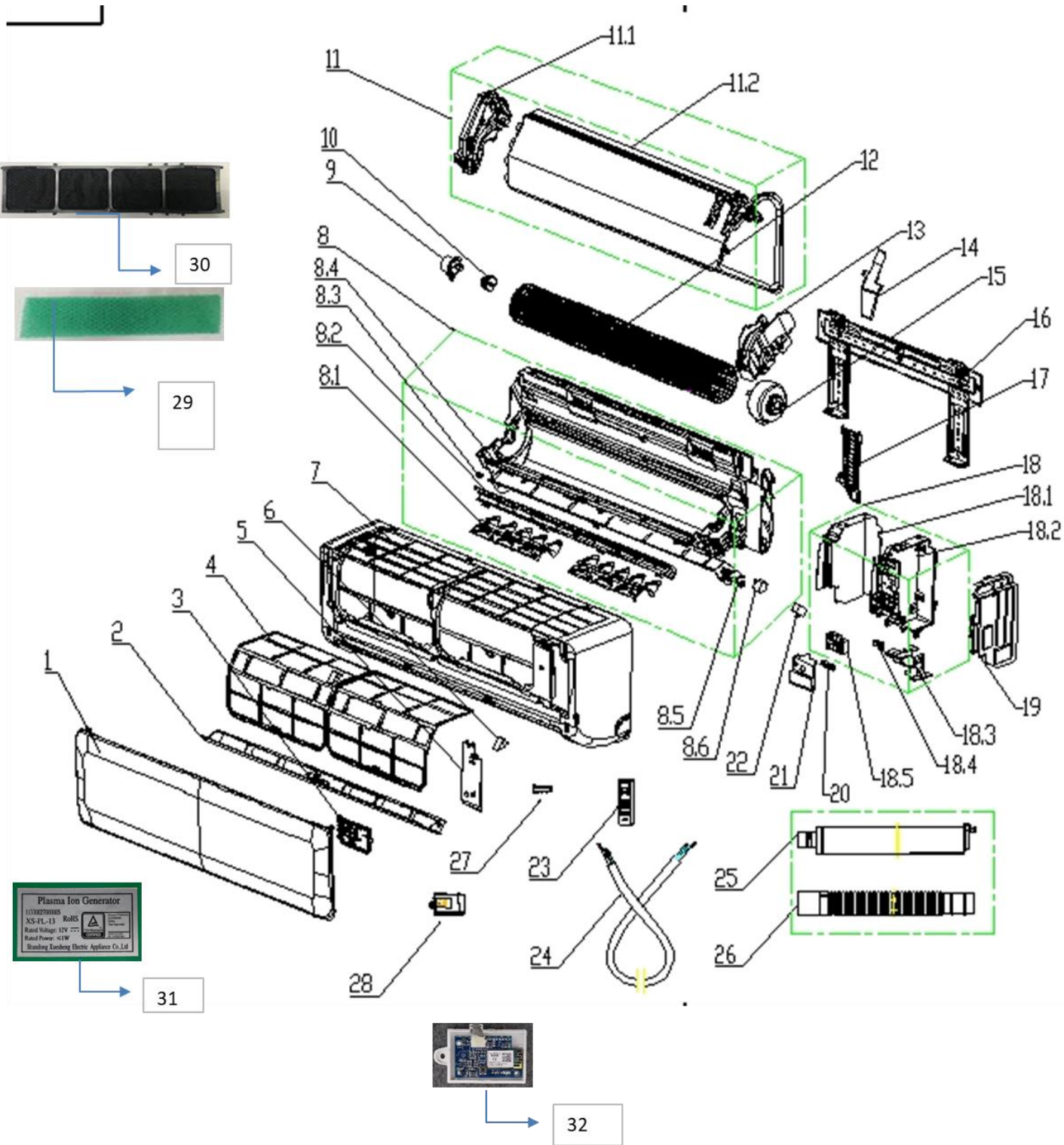
Electrolux Thailand Co.,Ltd.
1910 Electrolux Building
New Petchburi Rd. Bangkok
Huaykwang
Bangkok , 10310
Tel : +662 725 9000

Publication-No
200130

Split RAC (Cool only,
Heat & Cool)

Model : ESV09CRU-A1I
 PNC : 956004731 00

Ex. View Drawing
 (Indoor Unit)

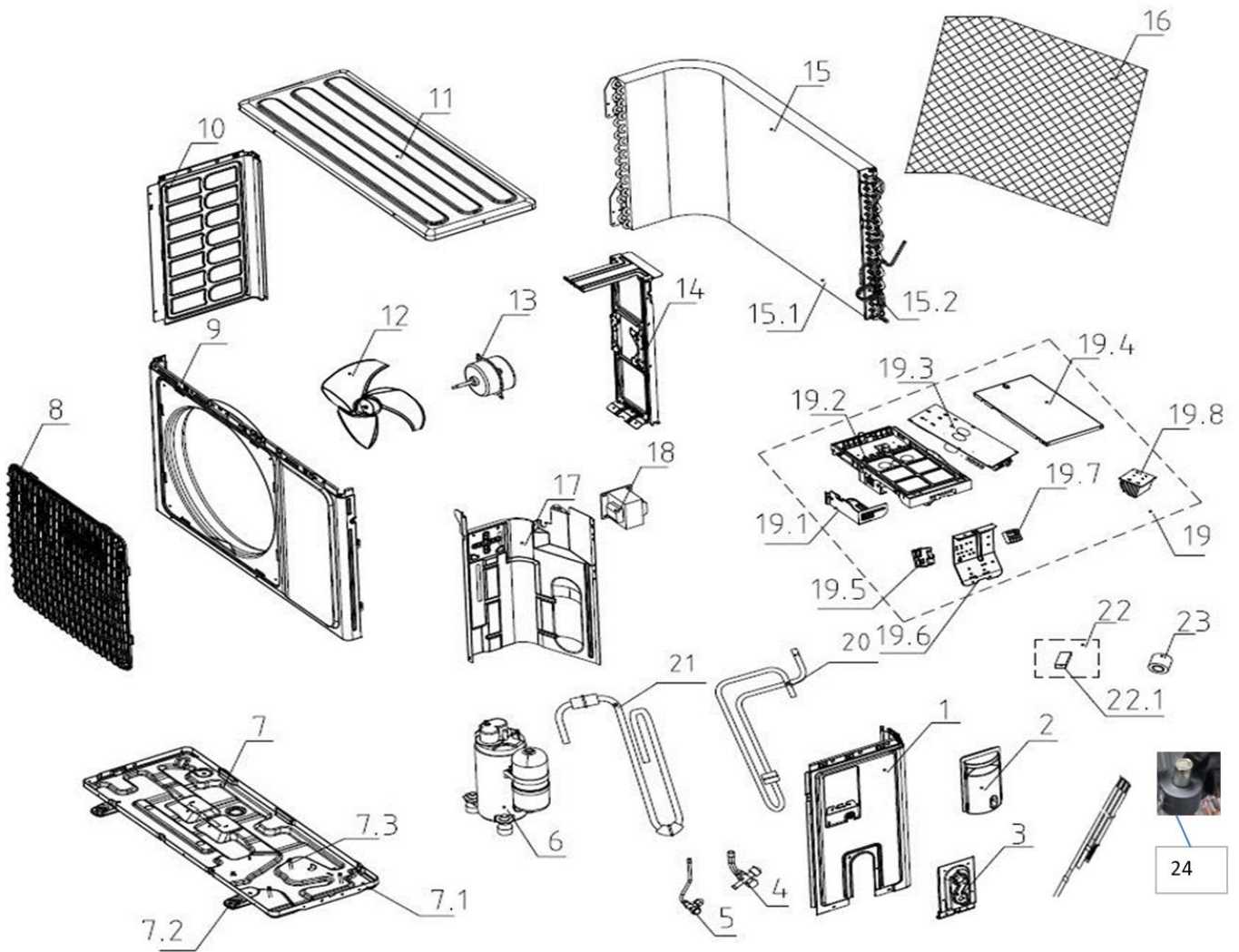


Item	PNC	ELC	Brand	Model	Market
A	956004731	00	Electrolux	ESV09CRU-A1I	THE

Pos.	Part No	Description	956004731 ESV09CRU-A1I R32 9KBTU TH
1	13220598001108	PANEL BLACK 09 CRU-A1	1
2	11320005000382	AIR LOUVER ASSEMBLY	1
3	11320030000075	DISPLAY BOARD 09 CRU-A1	1
4	11220508000143	HIGH DELICATE FILTER	2
5	11220509000062	MEDIUM FRAME WIRING COVER	1
6	11320096000105	SCREW COVER	2
7	11320002000306	MEDIUM FRAME	1
8	11220500000180	CHASSIS ASSEMBLY 09 CRU-A1	1
8.1	11320017000119	SWING BLADE	2
8.2	11320135000016	AIR LOUVER	1
8.3	11320079000010	SHAFT SLEEVE	1
8.4	11320001000217	CHASSIS	1
8.5	11320079000013	STEP MOTOR SHAFT SLEEVE	1
8.6	11230002000058	STEP MOTOR	1
8.7	11230002000088	VERTICAL STEP MOTOR	1
9	11320062000028	BEARING FIXED CHASSIS	1
10	11220551000003	BEARING ASSEMBLY	1
11	13224003001686	EVAPORATOR ASSEMBLY 09 CRU-A1	1
11.1	11320015000113	EVAPORATOR LEFT SIDE CARRIAGE	1
12	11220513000068	CROSS FLOW FAN	1
14	11320065000028	BREAKWATER	1
15	11230005000035	INDOOR FAN MOTOR	1
16	11321003000041	MOUNTING PLATE ASSEMBLY	1
17	11320084000015	PIPE CLAMP	1
18	13222002002623	MAIN CONTROLLER CRU-A1	1
18.1	11321012000006	CONTROLLER BOX SHEET-METAL B	1
18.2	11320057000089	CONTROLLER BOX	1
18.4	11320049000007	POWER WIRE CLAMP	1
18.5	11330037000020	TERMINAL BOARD	1
19	11329013000103	INTEGRATED TEMPERATURE SENSOR	1
20	11321012000005	CONTROLLER BOX SHEET-METAL A	1
21	11320010000037	POWER WIRE CABLE CLAMP	1
23	11321012000007	CONTROLLER BOX SHEET-METAL C	1
25	11222001000869	REMOTE CONTROLLER	1
26	11220506000009	WATER OUTLET ASSEMBLY	1
27	11320020000008	DRAINING PIPE	1
28	11333003000009	WATER STOPPER PLUG	1
29	11320023000006	SILVER ION FILTER	1
30	11320025000036	ACTIVE CARBON FILTER	1
31	11330027000005	COLD PLASMA	1
32	11222062000029	WIFI CONTROL BOX	1
999	11329013000103	ROOM TEMPERATURE SENSOR	1
999	11329013000030	EVAPORATOR TEMPERATOR SENSOR	1

Model : ESV09CRU-A1E
PNC : 956004755 00

Ex. View Drawing
(Outdoor Unit)

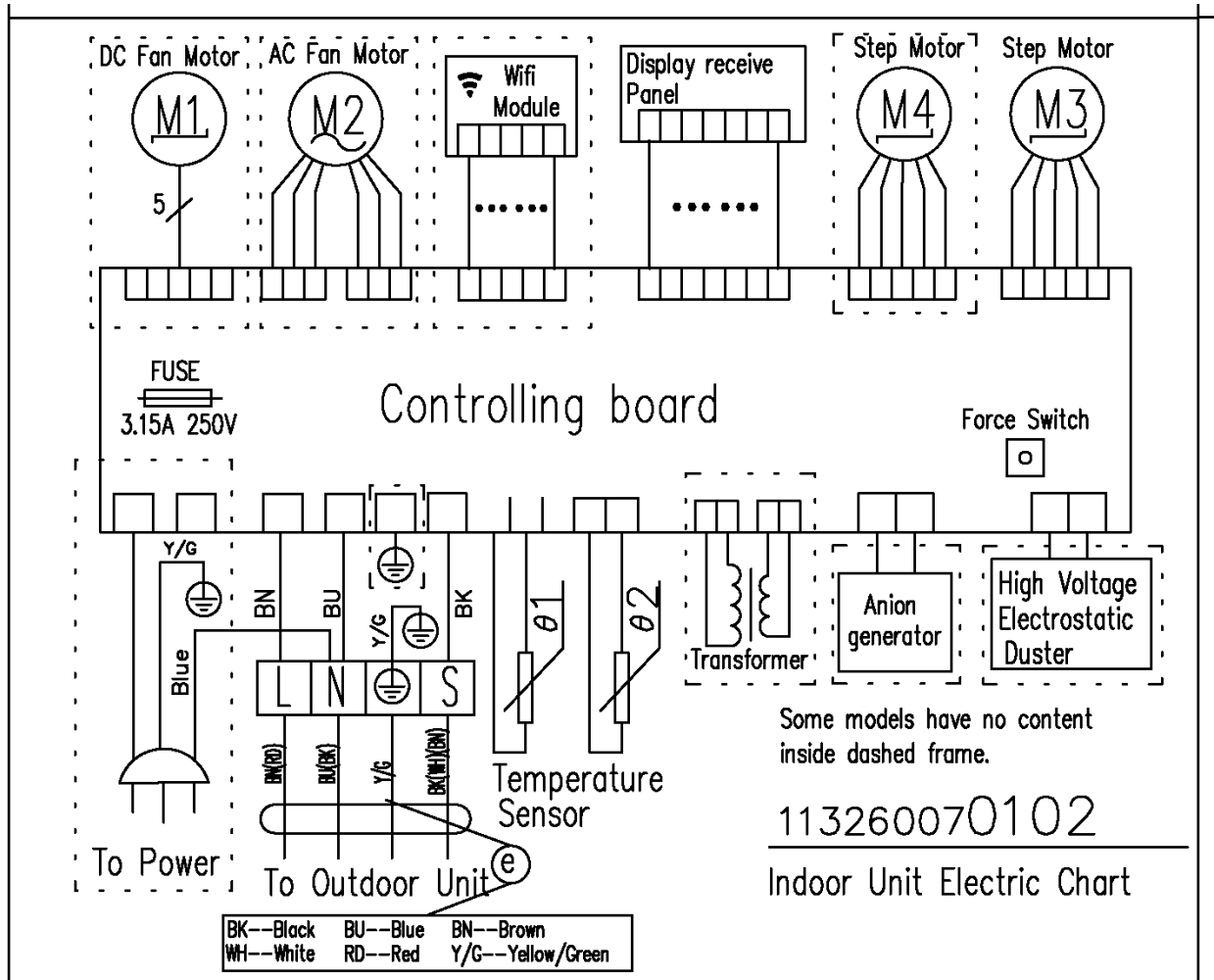


Item	PNC	ELC	Brand	Model	Market
A	956004755	00	Electrolux	ESV09CRU-A1E	THE

Pos.	Part No	Description	956004755 ESV09CRU-A1E R32 9KBTU TH
1	11321007000306	RIGHT SIDE PANEL	1
2	11320101000033	E-PARTS COVER	1
3	11321031000027	VALVE PLATE	1
4	11325042000030	STOP VALVE	1
5	11325042000015	STOP VALVE	1
6	11223015000140	COMPRESSOR	1
7	11221502000440	CHASSIS ASSEMBLY	1
7.1	11321014000145	CHASSIS	1
7.2	11321023000019	BASE FOOTING	2
7.3	14731005000064	BOLT	3
8	11320026000062	PANEL GRILLE	1
9	11321005000107	PANEL	1
10	11321006000113	LEFT SIDE BOARD	1
11	11321009000057	TOP COVER	1
12	11320009000063	AXIAL FLOW FAN	1
13	11230005000012	MOTOR	1
14	11321002000040	MOTOR SUPPORT	1
15	13224004002105	CONDENSER ASSEMBLY	1
15.1	13224006000279	CONDENSER ASSEMBLY	1
16	11321022000222	REAR GRILLE	1
17	11321025000059	PARTITION BOARD	1
18	11330034000008	REACTOR	1
19	11222004001037	MAIN CONTROLLER 12 CRU-A1	1
19.2	11320057000101	CONTROL BOX	1
19.3	11222031001145	MAIN CONTROL BOARD	1
19.4	11320058000081	CONTROL BOX COVER	1
19.6	11321015000071	E-PARTS BRACKET	1
19.7	11330037000171	TERMINAL BOARD	1
19.8	11329031000054	HEAT RADIATOR	1
19.8	11329031000031	HEAT RADIATOR	1
20	11325020001765	DISCHARGE PIPE ASSEMBLY	1
21	11225504000975	SUCTION PIPE ASSEMBLY	1
22	11219005000203	ACCESSORY BAG	1
22.1	14618079000002	PUTTY	1
23	11320022000019	PLASTIC TIE	1
24	11225539000007	E-Exp Valve	1
999	11329013000103	INTEGRATED TEMPERATURE SENSOR	1

Model : ESV09CRU-A1I
PNC : 956004731 00

Ex. Wiring
(Inoor Unit)



Model : ESV09CRU-A1E
 PNC : 956004755 00

Ex. Wiring
 (Outdoor Unit)

