

Electrolux

SPARE PARTS LIST

Split RAC
(Cool only, Heat & Cool)
4150



ITEM	PNC	ELC	BRAND	MODEL	MARKET
A	956004724	00	Electrolux	ESV09CRS-B2	VNE
A	956004748	00	Electrolux	ESV09CRS-B2I	VNE
A	956004772	00	Electrolux	ESV09CRS-B2E	VNE

SAFETY WARNING

Always turn off and unplug the machine before detaching any parts.

When servicing machines, do not remove ANY detachable parts while the machine is powered. The reason is internal faults may cause shorts to components that are normally at low voltage presenting a shock hazard.

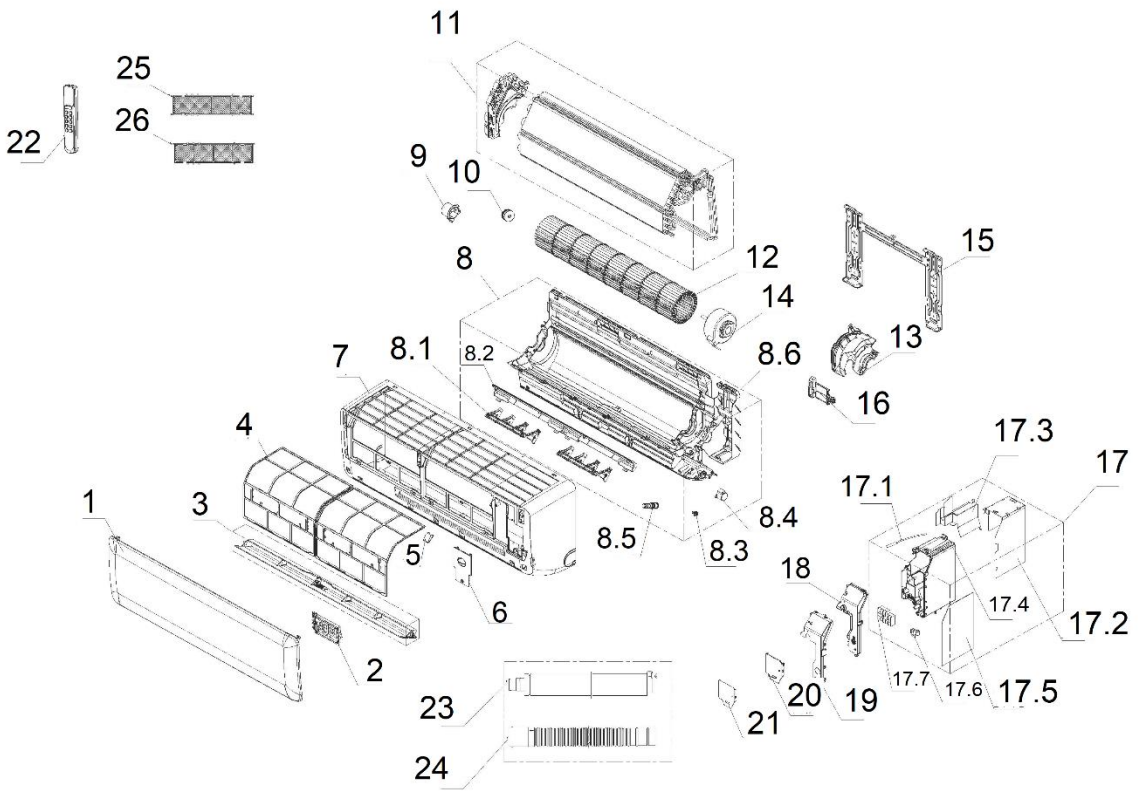
Electrolux Thailand Co.,Ltd.
1910 Electrolux Building
New Petchburi Rd. Bangkok
Huaykwang
Bangkok , 10310
Tel : +662 725 9000

Publication-No
200616

Split RAC (Cool only,
Heat & Cool)

Model : ESV09CRS-B2I
PNC : 956004748 00

Ex. View Drawing
(Indoor Unit)



27



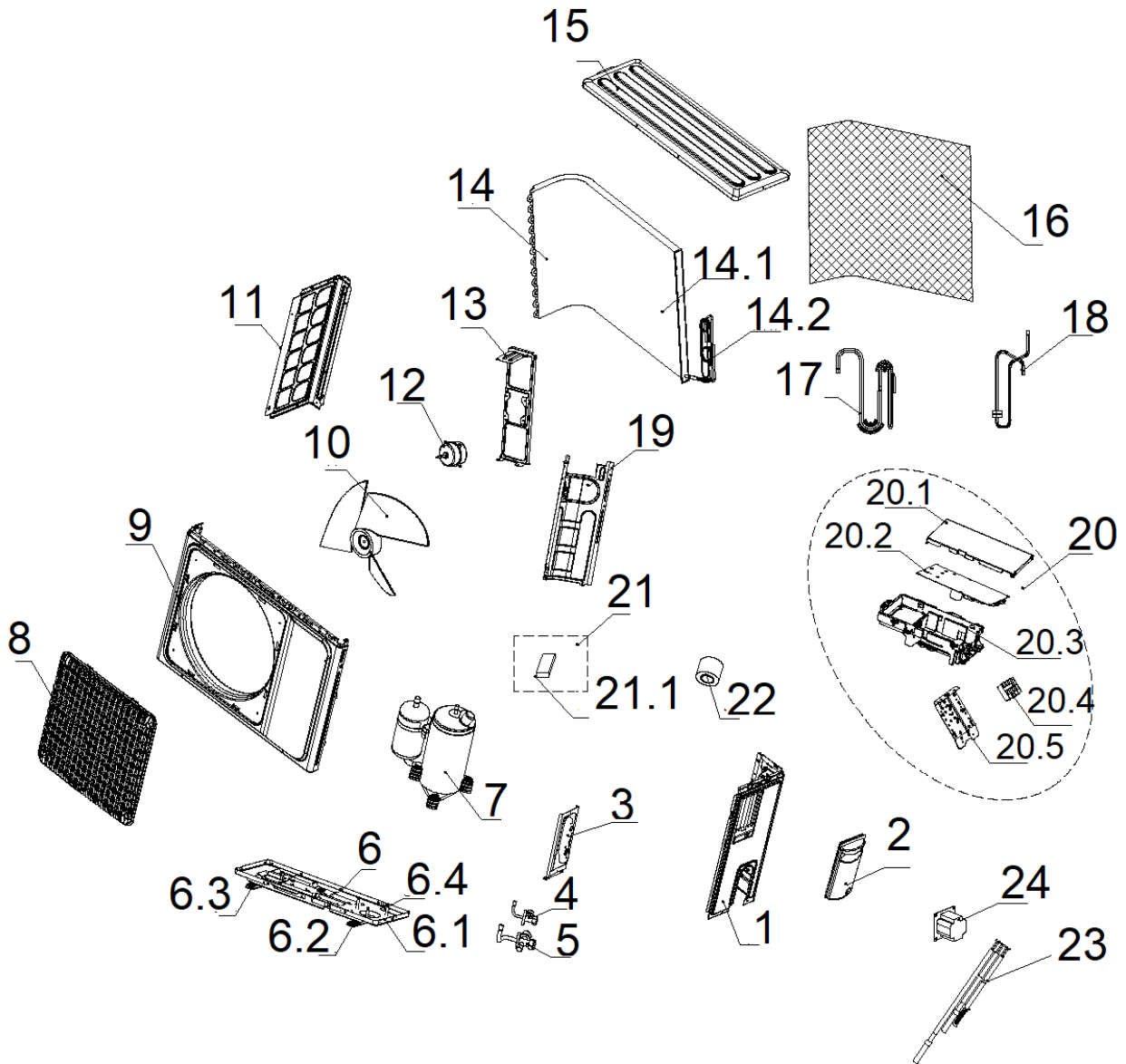
28

Item	PNC	ELC	Brand	Model	Market
A	956004748	00	Electrolux	ESV09CRS-B2I	VNE

Pos.	Part No.	Description
1	13220598001125	PANEL
2	11222014000661	DISPLAY BOARD
3	11320005000381	AIR LOUVER (HORIZONTAL)
4	11220508000146	FILTER
5	11320096000104	SCREW COVER
6	11320076000109	MEDIUM FRAME WIRING COVER
7	11320002000325	MEDIUM FRAME
8	11220500000215	CHASSIS ASSEMBLY
8.1	11320017000125	LEFT-RIGHT SWING BLADE
8.2	11320135000018	VOLUTE
8.3	11320079000016	STEP MOTOR SHAFT SLEEVE
8.4	11230002000086	AIR LOUVER STEP MOTOR
8.5	11333003000009	STOPPLE
8.6	11320001000241	CHASSIS
9	11320062000028	BEARING FIXED CHASSIS
10	11220551000003	BEARING ASSEMBLY
11	13224003001351	EVAPORATOR ASSEMBLY
12	11220513000065	CROSS FLOW FAN
13	11320052000044	MOTOR COVER
14	13330005000005	IDU FAN MOTOR
15	11221500000034	MOUNTING PLATE ASSEMBLY
16	11320084000013	PIPE CLAMP
17	13222002002674	MAIN CONTROLLER, O9IDU, CRS
17.1	11329013000103	TEMPERATURE SENSOR
17.2	11321020000033	CONTROLLER BOX SHEET-METAL A
17.3	11321020000034	CONTROLLER BOX SHEET-METAL B
17.4	11320057000082	CONTROL BOX
17.5	13222009004965	MAIN CONTROL BOARD O9IDU, CRS
17.6	11320010000037	WIRE CLAMP
17.7	11330037000020	TERMINAL BOARD
18	11320058000067	CONTROL BOX COVER
19	11321020000035	CONTROLLER BOX METAL PLATE
20	11320111000005	GUARD OF ELECTRIC CONTROL BOX
21	11321020000036	COVER OF ELECTRIC CONTROL BOX
22	11222001000869	REMOTE CONTROLLER
23	11220506000002	WATER OUTLET ASSEMBLY
24	11320020000008	DRAIN PIPE
25	11320025000055	ACTIVE CARBON HEALTHY ANTI-BACTERIAL FILTER
26	11320025000049	SILVER ION HEALTHY ANTI-BACTERIAL FILTER
27	11330027000005	COLD PLASMA GENERATOR
28	11222062000029	WIFI MODULE

Model : ESV09CRS-B2E
PNC : 956004772 00

Ex. View Drawing
(Outdoor Unit)

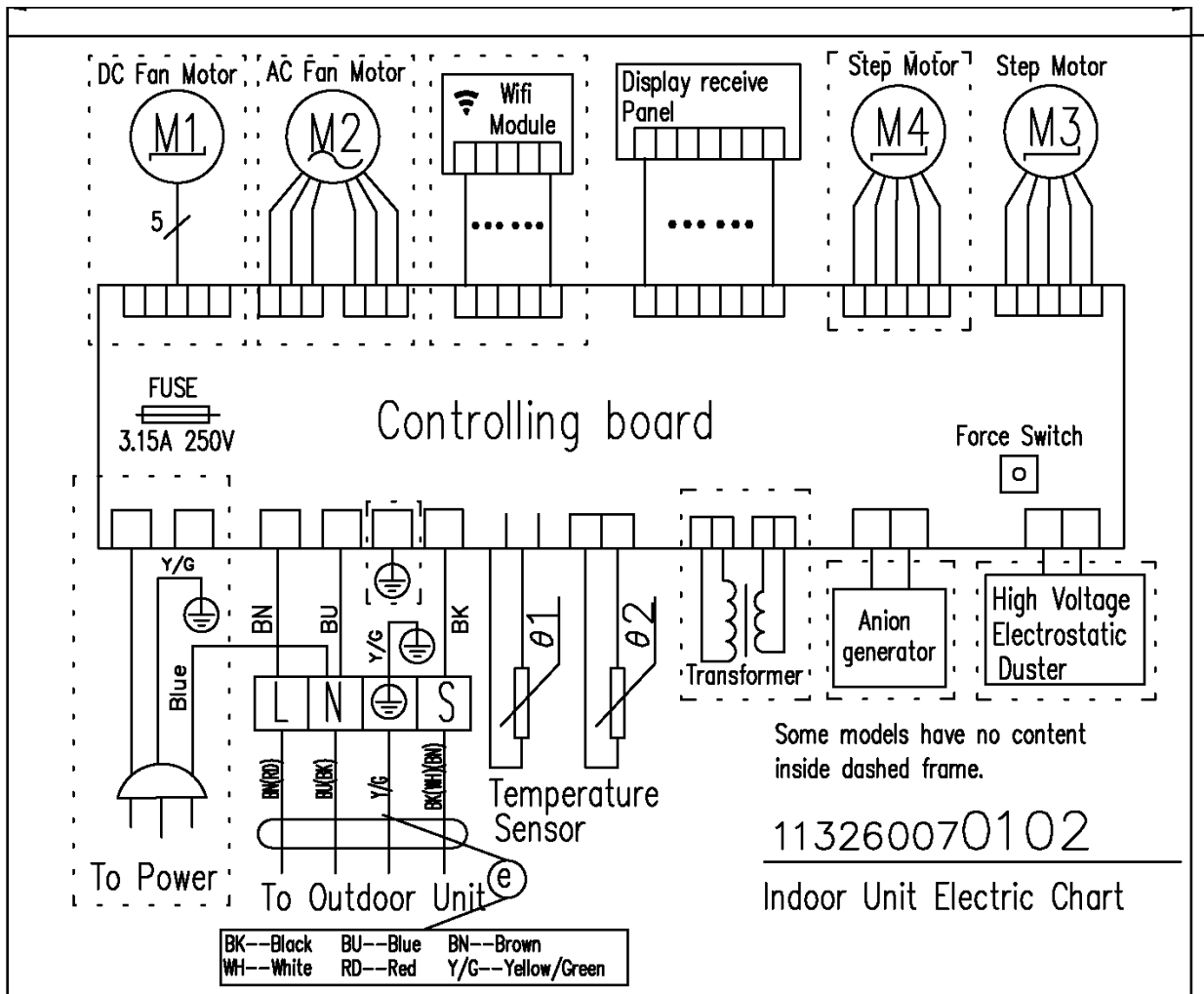


Item	PNC	ELC	Brand	Model	Market
A	956004772	00	Electrolux	ESV09CRS-B2E	VNE

Pos.	Part No.	Description
1	11321007000304	RIGHT SIDE BOARD
2	11320101000033	E-PARTS COVER
3	11321031000027	VALVE PLATE
4	11325042000030	STOP VALVE (LIQUID)
5	11325042000015	STOP VALVE (GAS)
6	11221502000442	CHASSIS ASSEMBLY
6.1	11321014000144	CHASSIS
6.2	11321023000012	FOOTING
6.3	11321023000012	FOOTING
6.4	14731005000064	BELT SCREW
7	13223015000029	COMPRESSOR
8	11320026000046	PANEL GRILLE
9	11321005000104	PANEL
10	11320009000049	AXIAL FLOW FAN
11	11321006000108	LEFT SIDE BOARD
12	13330005000009	FAN MOTOR
13	11321002000039	MOTOR SUPPORT
14	13224004002148	CONDENSER ASSEMBLY
14.1	13224006000473	CONDENSER ASSEMBLY
14.2	11225506001918	CAPILLARY ASSEMBLY
15	11321009000033	TOP COVER
17	11225504000976	SUCTION PIPE ASSEMBLY
18	11225505000947	DISCHARGE PIPE ASSEMBLY
19	11321025000048	PARTITION BOARD
20	13222004000306	MAIN CONTROLLER 09ODU,CRS VN
20.1	11320058000081	CONTROL BOX COVER
20.2	11222031001140	MAIN CONTROL BOARD 09ODU,CRS VN
20.3	11320057000101	CONTROL BOX
20.4	11329031000054	HEAT RADIATOR
20.5	11330037000171	TERMINAL BOARD
20.6	11321015000068	E-PARTS BRACKET
21	13219005000721	ACCESORY BAG
21.1	14618079000002	PUTTY
22	11320022000019	PLASTIC TAPE
23	11329013000105	TEMPERATURE SENSOR
24	11330034000023	REACTOR

Model : ESV09CRS-B2I
PNC : 956004748 00

Ex. Wiring
(Inoor Unit)



Model : ESV09CRS-B2E
 PNC : 956004772 00

Ex. Wiring
 (Outdoor Unit)

