

Electrolux

SPARE PARTS LIST

Split RAC
(Cool only, Heat & Cool)
4150



Item	PNC	ELC	Brand	Model	Market
A	956004685	00	Electrolux	ESM12CRR-C1	IDH
A	956004686	00	Electrolux	ESM12CRR-C1I	IDH
A	956004687	00	Electrolux	ESM12CRR-C1E	IDH

SAFETY WARNING

Always turn off and unplug the machine before detaching any parts.

When servicing machines, do not remove ANY detachable parts while the machine is powered. The reason is internal faults may cause shorts to components that are normally at low voltage presenting a shock hazard.

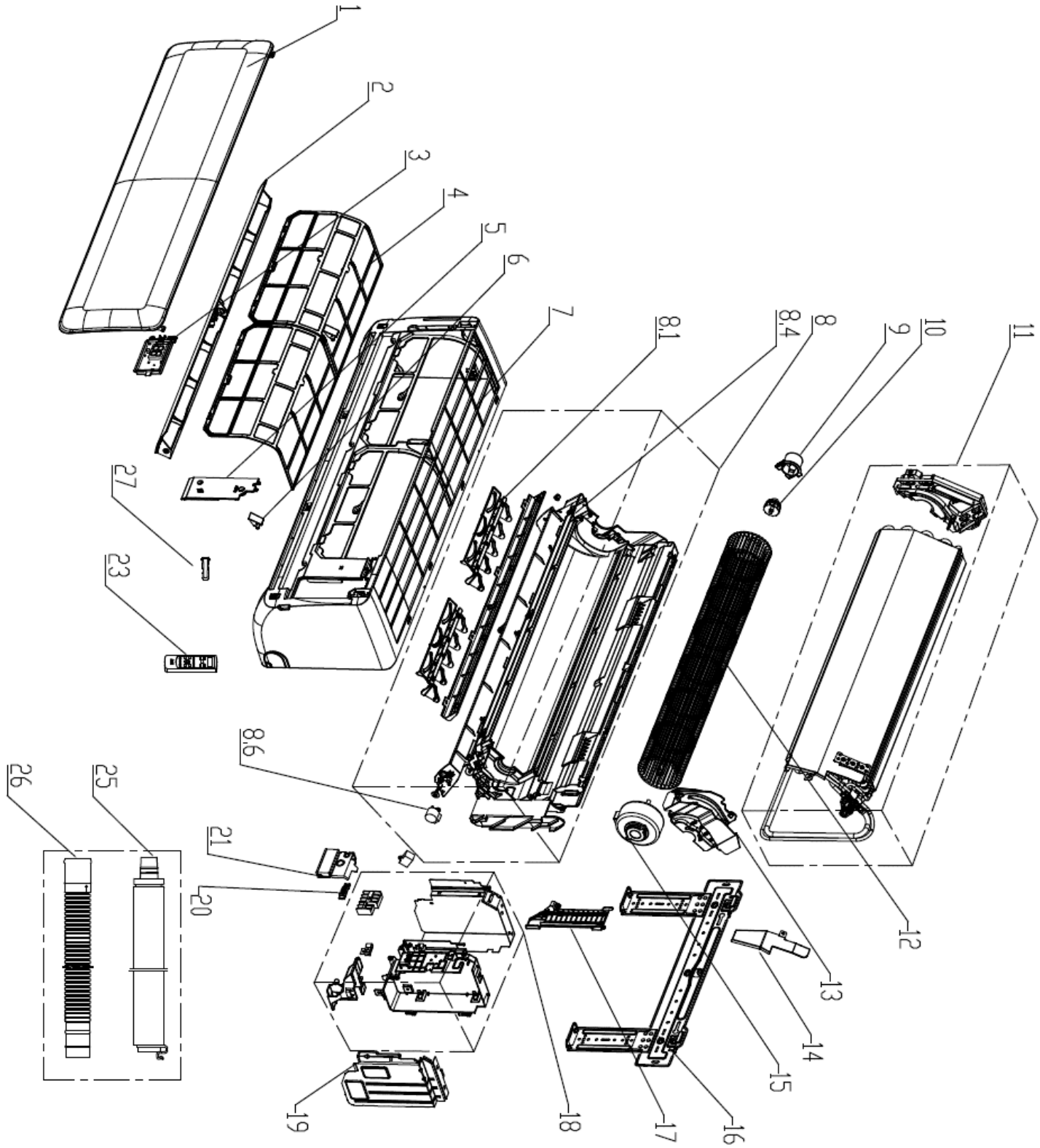
Electrolux Thailand Co.,Ltd.
1910 Electrolux Building
New Petchburi Rd. Bangkok
Huaykwang
Bangkok , 10310
Tel : +662 725 9000

Publication-No
190702

Split RAC (Cool only,
Heat & Cool)

Model : ESM12CRR-C11
PNC : 956004686 00

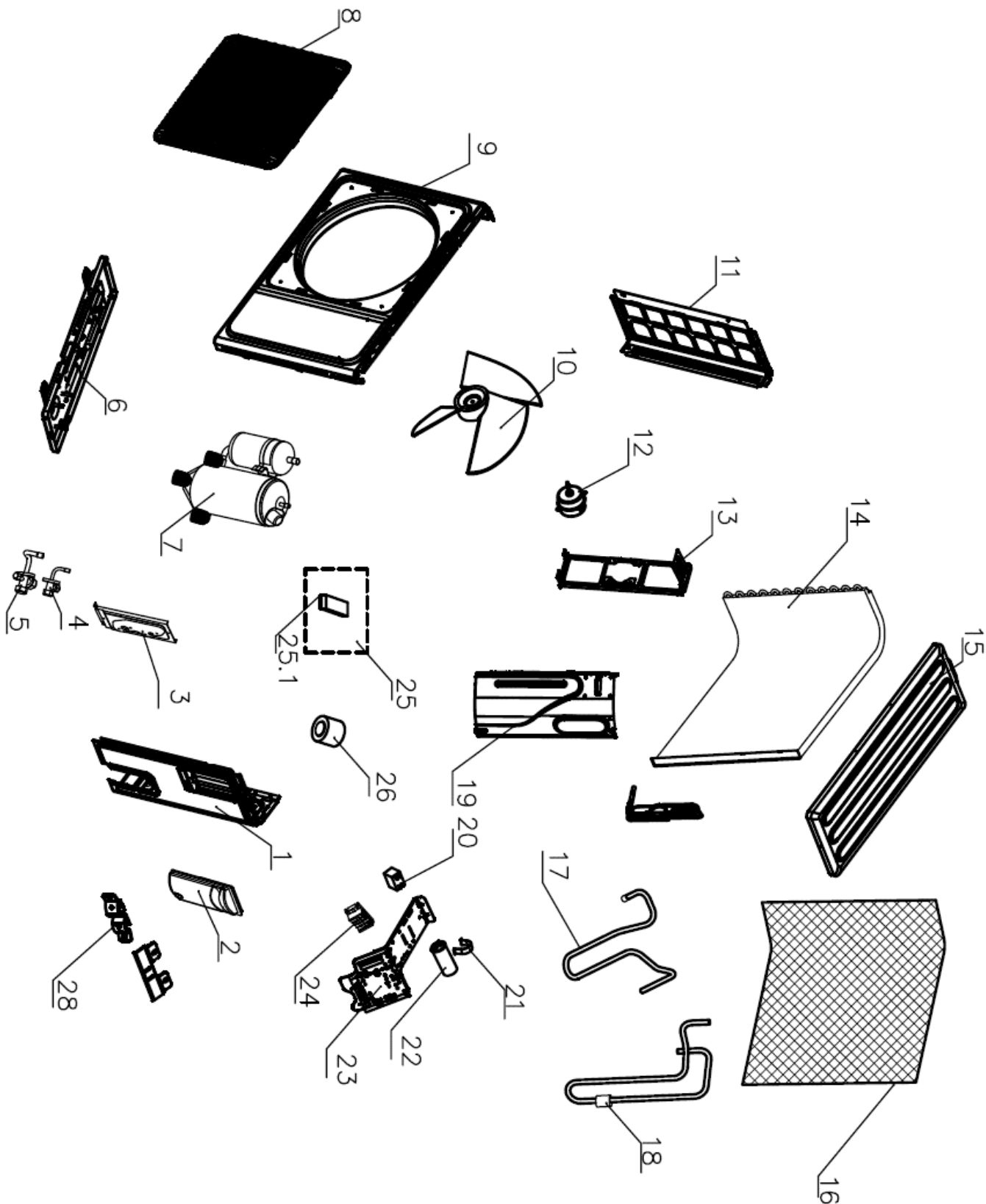
Ex. View Drawing
(Indoor Unit)



Pos.	Part No.	Description	
1	13220502007710	panel	1
2	11320005000382	air louver (Horizontal)	1
3	11222014000650	display board	1
4	11220508000143	filter	2
5	11220509000062	Screw cover	1
6	11320096000105	medium frame wiring cover	1
7	11320002000306	medium frame	1
8	11220500000166	chassis assembly	1
8.1	11320017000118	left-right swing blade	2
8.4	11320001000217	air louver step motor	1
8.6	11230002000058	stoppie	1
9	11320062000028	chassis	1
10	11220551000003	bearing fixed chassis	1
11	11224003000577	Evaporator assembly	1
12	11220513000068	cross flow fan	1
13	11320052000032	motor cover	1
14	11320065000028	IDU fan motor	1
15	11230003000168	mounting plate assembly	1
16	11321003000041	pipe clamp	1
17	11320084000015	Main controller	1
18	13222002000662	temperature sensor	1
19	11321012000005	control box cover	1
20	11320010000037	controller box metal plate	1
21	11321012000007	guard of electric control box	1
23	11222001000856	cover of electric control box	1
25	11220506000009	Remote controller	1
26	11320020000008	water outlet assembly	1
27	11333003000009	drain pipe	1

Model : ESM12CRR-C1E
PNC : 956004687 00

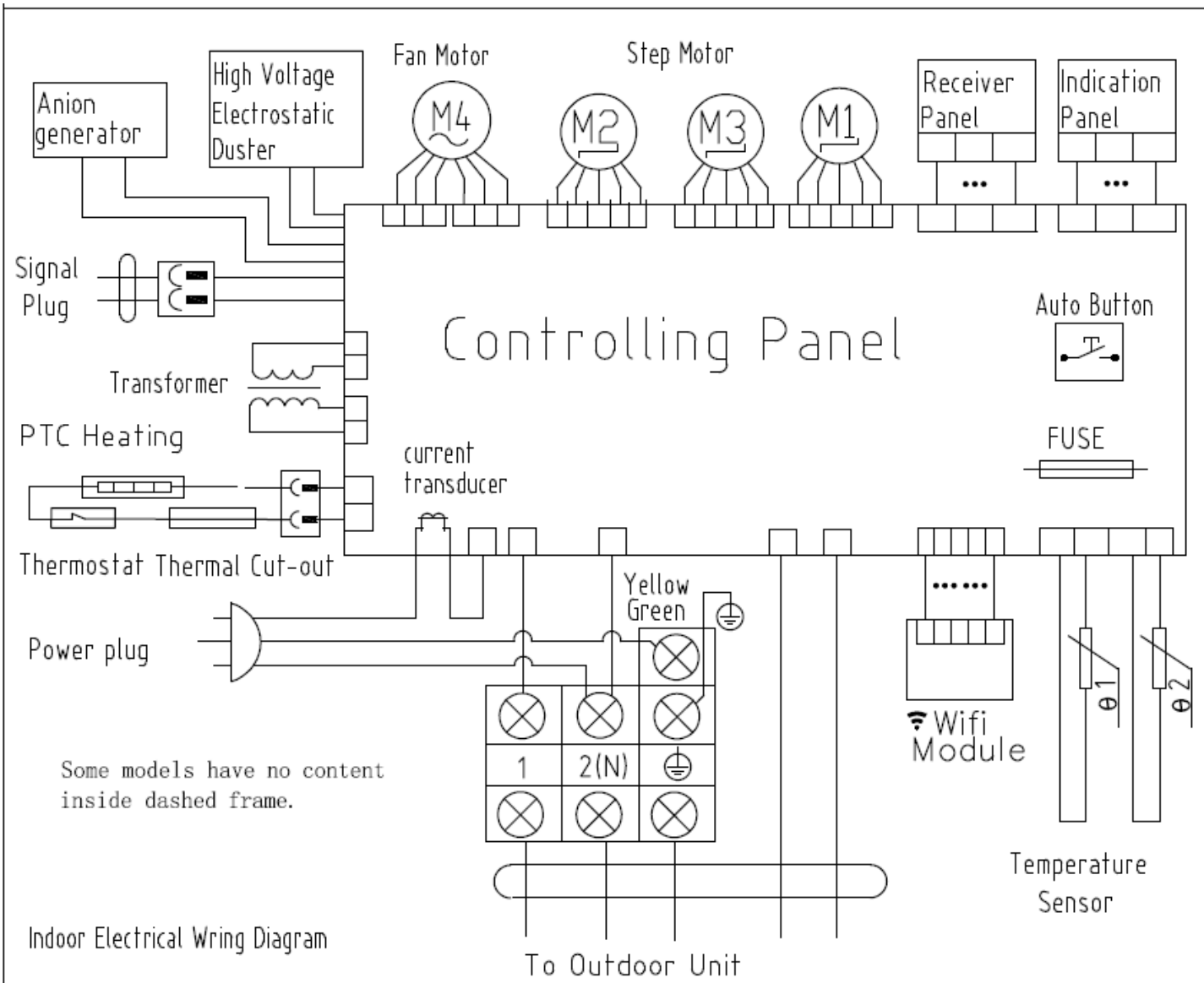
Ex. View Drawing
(Outdoor Unit)



Pos.	Part No.	Description	
1	11321007000304	right side board	1
2	11320101000033	E-parts cover	1
3	11321031000027	valve plate	1
4	11325042000030	stop valve	1
5	11225517000036	stop valve	1
6	11221502000434	Chassis assembly	1
7	11223003000372	Compressor	1
8	11320026000046	panel grille	1
9	11321005000104	panel	1
10	11320009000049	axial flow fan	1
11	11321006000108	left side board	1
12	11230004000388	ODU motor	1
13	11321002000039	motor support	1
14	11224004001712	Condenser assembly	1
15	11321009000033	top cover	1
16	11332009000044	back card board	1
17	11225504000921	suction pipe assembly	1
18	11225505000980	discharge pipe assembly	1
19	11321025000047	partition board	1
20	11330010000106	Fan motor capacitor	1
21	11321001000029	Capacitor clamp	1
22	11330009000086	Compressor capacitor	1
23	11321015000033	E-parts bracket	1
24	11330037000127	terminal board	1
25	11219005000203	accessory bag	1
25.1	14618079000002	putty	1
26	11320022000016	plastic tape	1
28	11320010000015	cable clamp	1

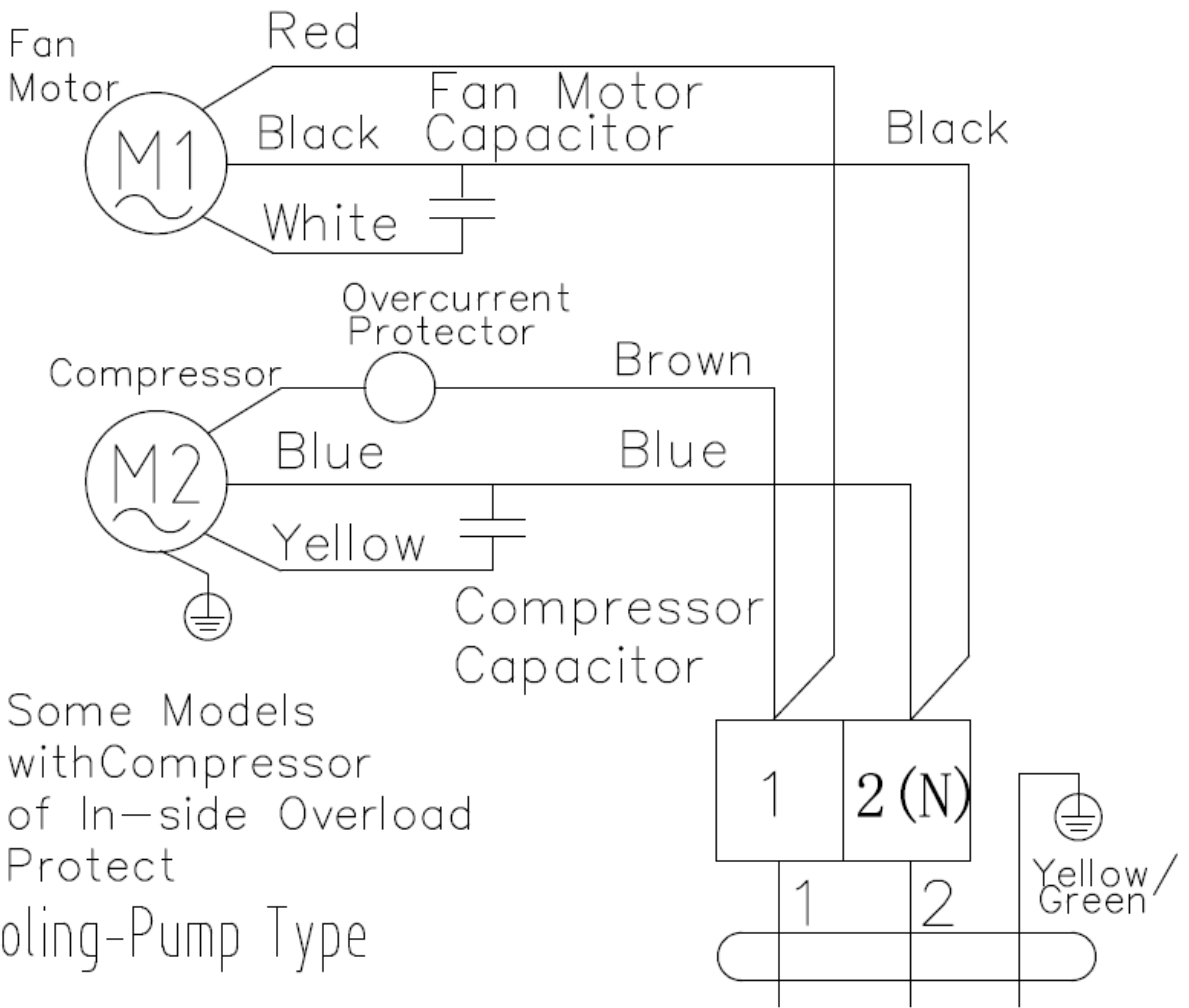
Model : ESM12CRR-C1I
 PNC : 956004686 00

Ex. Wiring
 (Indoor Unit)



Model : ESM12CRR-C1E
PNC : 956004687 00

Ex. Wiring
(Outdoor Unit)



Some Models
with Compressor
of In-side Overload
Protect

Cooling-Pump Type

Outdoor Unit Electric Chart

To Indoor Unit