

Electrolux

SPARE PARTS LIST

Split RAC
(Cool only, Heat & Cool)
4150



Item	PNC	ELC	Brand	Model	Market
A	956004682	00	Electrolux	ESM09CRR-C1	IDH
A	956004683	00	Electrolux	ESM09CRR-C1I	IDH
A	956004684	00	Electrolux	ESM09CRR-C1E	IDH

SAFETY WARNING

Always turn off and unplug the machine before detaching any parts.

When servicing machines, do not remove ANY detachable parts while the machine is powered. The reason is internal faults may cause shorts to components that are normally at low voltage presenting a shock hazard.

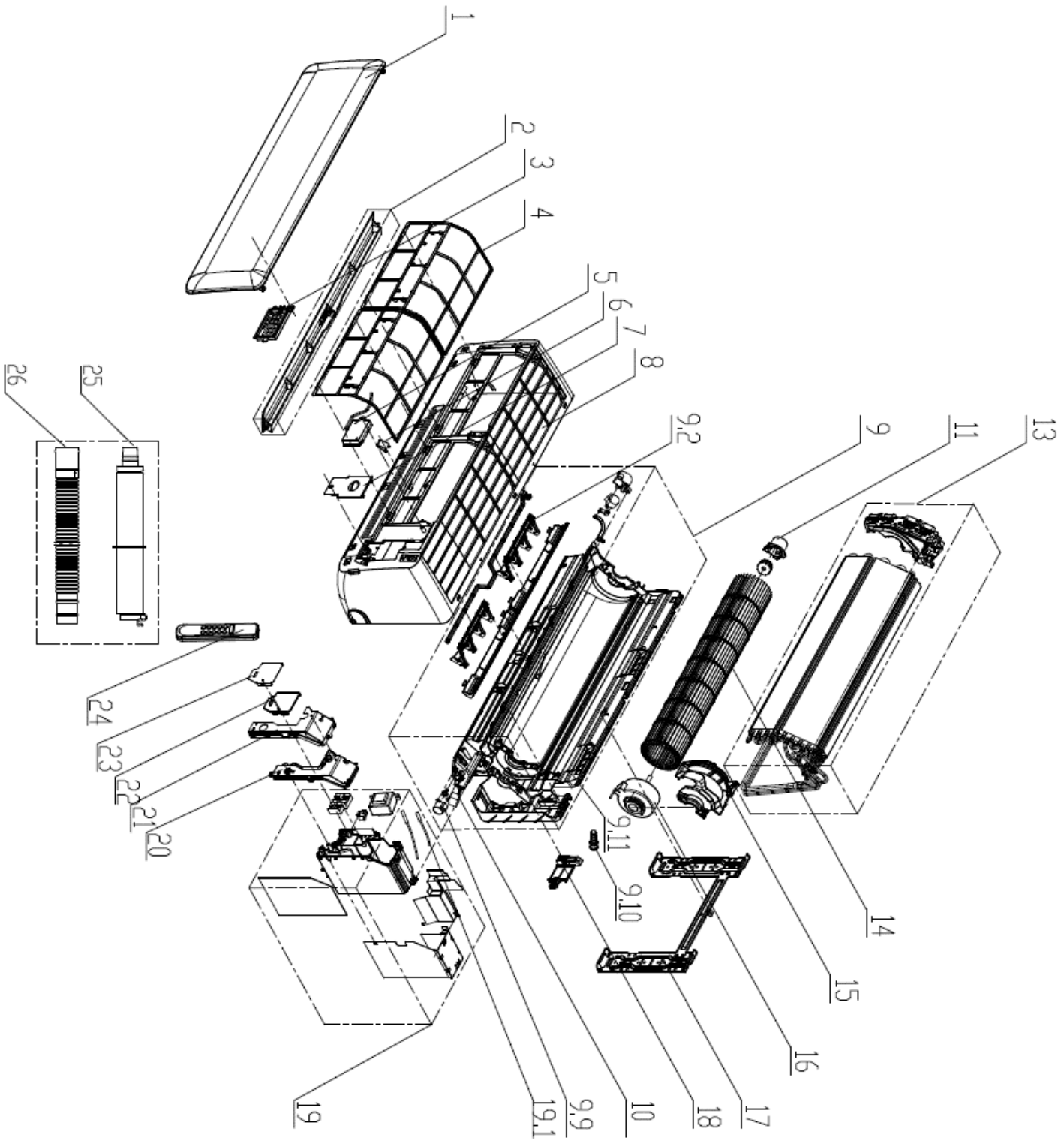
Electrolux Thailand Co.,Ltd.
1910 Electrolux Building
New Petchburi Rd. Bangkok
Huaykwang
Bangkok , 10310
Tel : +662 725 9000

Publication-No
190702

Split RAC (Cool only,
Heat & Cool)

Model : ESM09CRR-C1I
PNC : 956004683 00

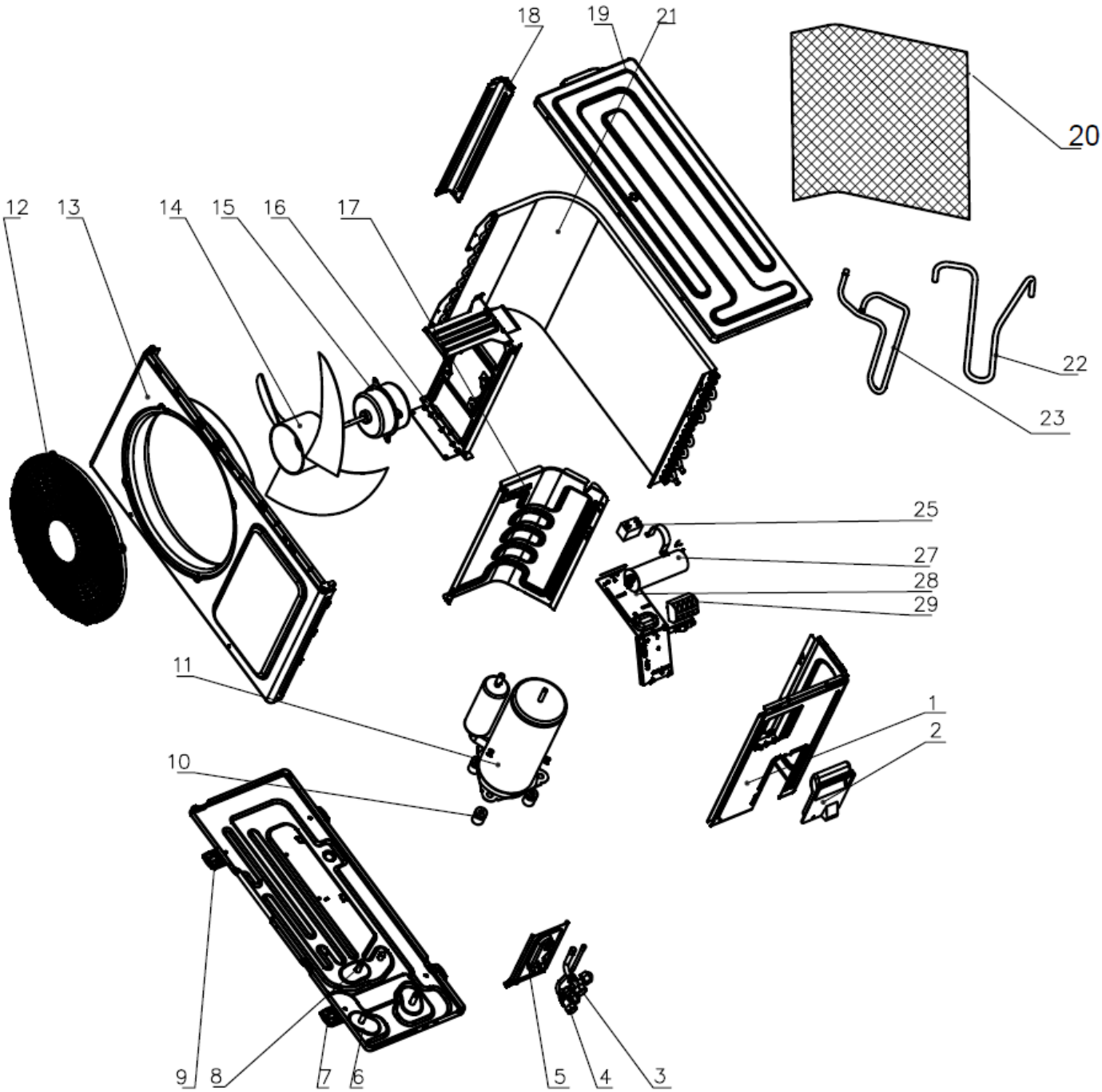
Ex. View Drawing
(Indoor Unit)



Pos.	Part No.	Description	
1	13220502007709	panel	1
2	11320005000381	air louver (Horizontal)	1
3	11222014000650	display board	1
4	11220508000139	filter	2
6	11320096000104	Screw cover	1
7	11320076000084	medium frame wiring cover	1
8	13220501000594	medium frame	1
9	11220500000214	chassis assembly	1
9.2	11320017000124	left-right swing blade	2
9.9	11230002000086	air louver step motor	1
9.10	11333003000009	stoppie	1
9.11	11320001000241	chassis	1
11	11320062000028	bearing fixed chassis	1
13	13224003001771	Evaporator assembly	1
14	11220513000065	cross flow fan	1
15	11320052000044	motor cover	1
16	11230003000168	IDU fan motor	1
17	11221500000034	mounting plate assembly	1
18	11320084000013	pipe clamp	1
19	13222002000918	Main controller	1
19.1	11329013000103	temperature sensor	1
20	11320058000067	control box cover	1
21	11321020000035	controller box metal plate	1
22	11320111000005	guard of electric control box	1
23	11321020000036	cover of electric control box	1
24	11222001000856	Remote controller	1
25	11220506000002	water outlet assembly	1
26	11320020000008	drain pipe	1

Model : ESM09CRR-C1E
PNC : 956004684 00

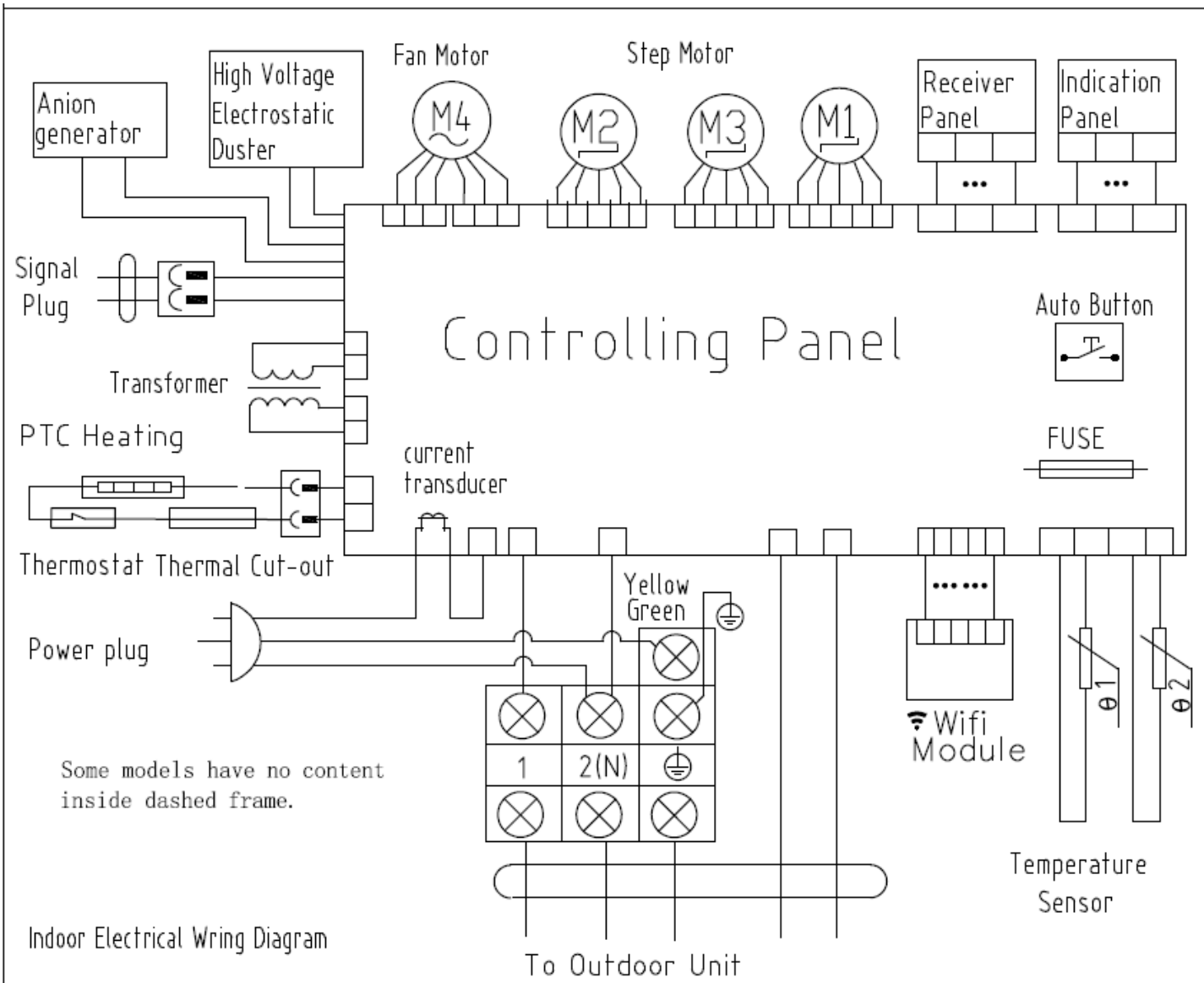
Ex. View Drawing
(Outdoor Unit)



Pos.	Part No.	Description	
1	11321007000304	right side board	1
2	11320101000033	E-parts cover	1
3	11321031000027	valve plate	1
4	11325042000030	stop valve	1
5	11325042000015	stop valve	1
6	11221502000434	Chassis assembly	1
7	11223003000353	Compressor	1
8	11320026000059	panel grille	1
9	11321005000104	panel	1
10	11320009000049	axial flow fan	1
11	11321006000108	left side board	1
12	11230004000388	ODU motor	1
13	11321002000039	motor support	1
14	11224004001674	Condenser assembly	1
15	11321009000033	top cover	1
16	11332009000044	Back cardboard	1
17	11225504000766	suction pipe assembly	1
18	11225505000953	discharge pipe assembly	1
19	11321025000047	partition board	1
20	11330010000088	Fan motor capacitor	1
21	11321001000029	Capacitor clamp	1
22	11330009000084	Compressor capacitor	1
23	11321015000033	E-parts bracket	1
24	11330037000127	terminal board	1
25	11219005000166	Accessory bag	1
25.1	14618079000002	putty	1
26	11320022000016	plastic tie	1
28	11320010000015	cable clamp	1

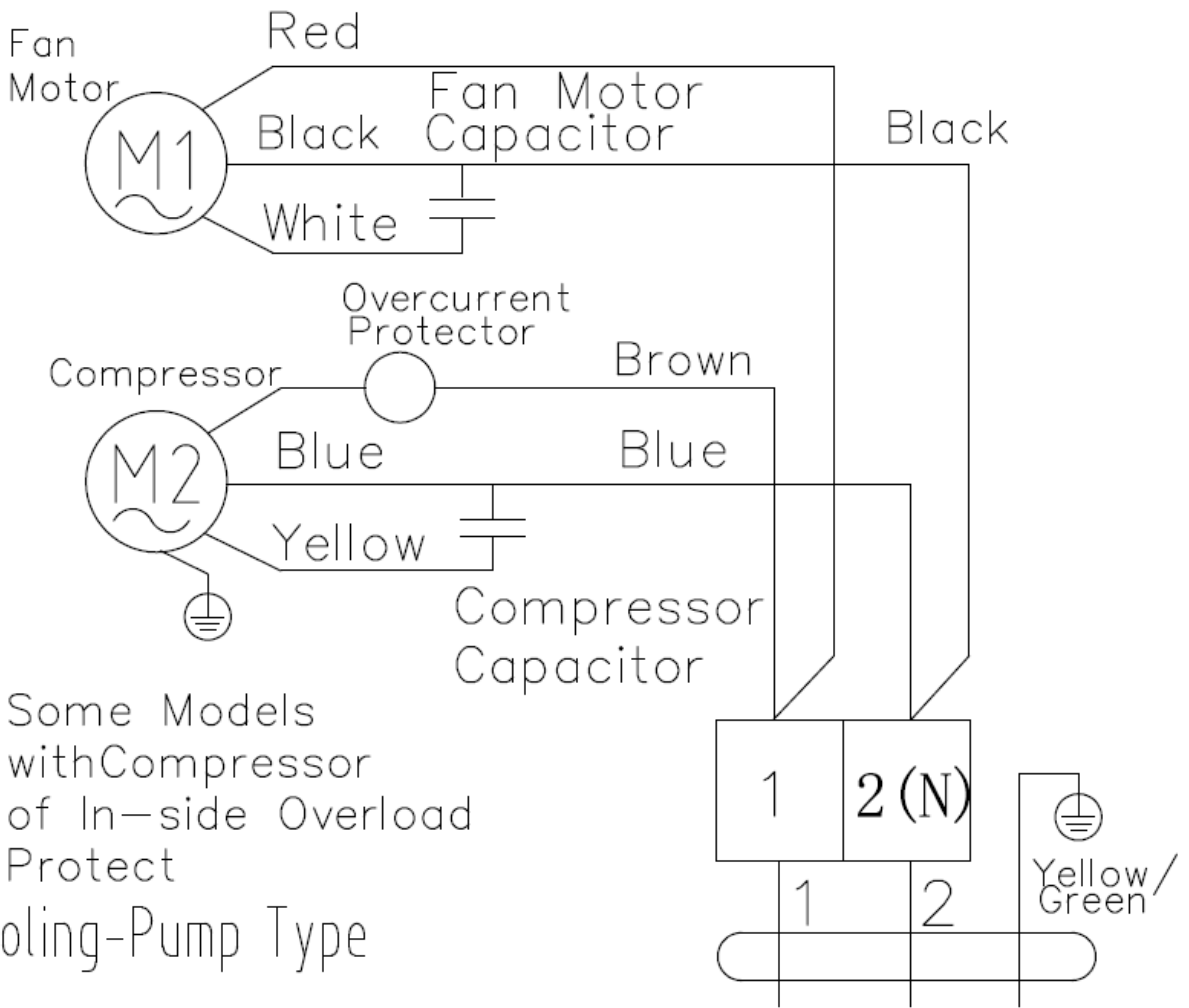
Model : ESM09CRR-C1I
 PNC : 956004683 00

Ex. Wiring
 (Indoor Unit)



Model : ESM09CRR-C1E
PNC : 956004684 00

Ex. Wiring
(Outdoor Unit)



Some Models
with Compressor
of In-side Overload
Protect

Cooling-Pump Type

Outdoor Unit Electric Chart

To Indoor Unit