

Electrolux

SPARE PARTS LIST

Split RAC
(Cool only, Heat & Cool)
4150



Item	PNC	ELC	Brand	Model	Market
A	956004625	01	Electrolux	ESV12CRR-C4	PHH
A	956004626	01	Electrolux	ESV12CRR-C4I	PHH
A	956004627	01	Electrolux	ESV12CRR-C4E	PHH

SAFETY WARNING

Always turn off and unplug the machine before detaching any parts.

When servicing machines, do not remove ANY detachable parts while the machine is powered. The reason is internal faults may cause shorts to components that are normally at low voltage presenting a shock hazard.

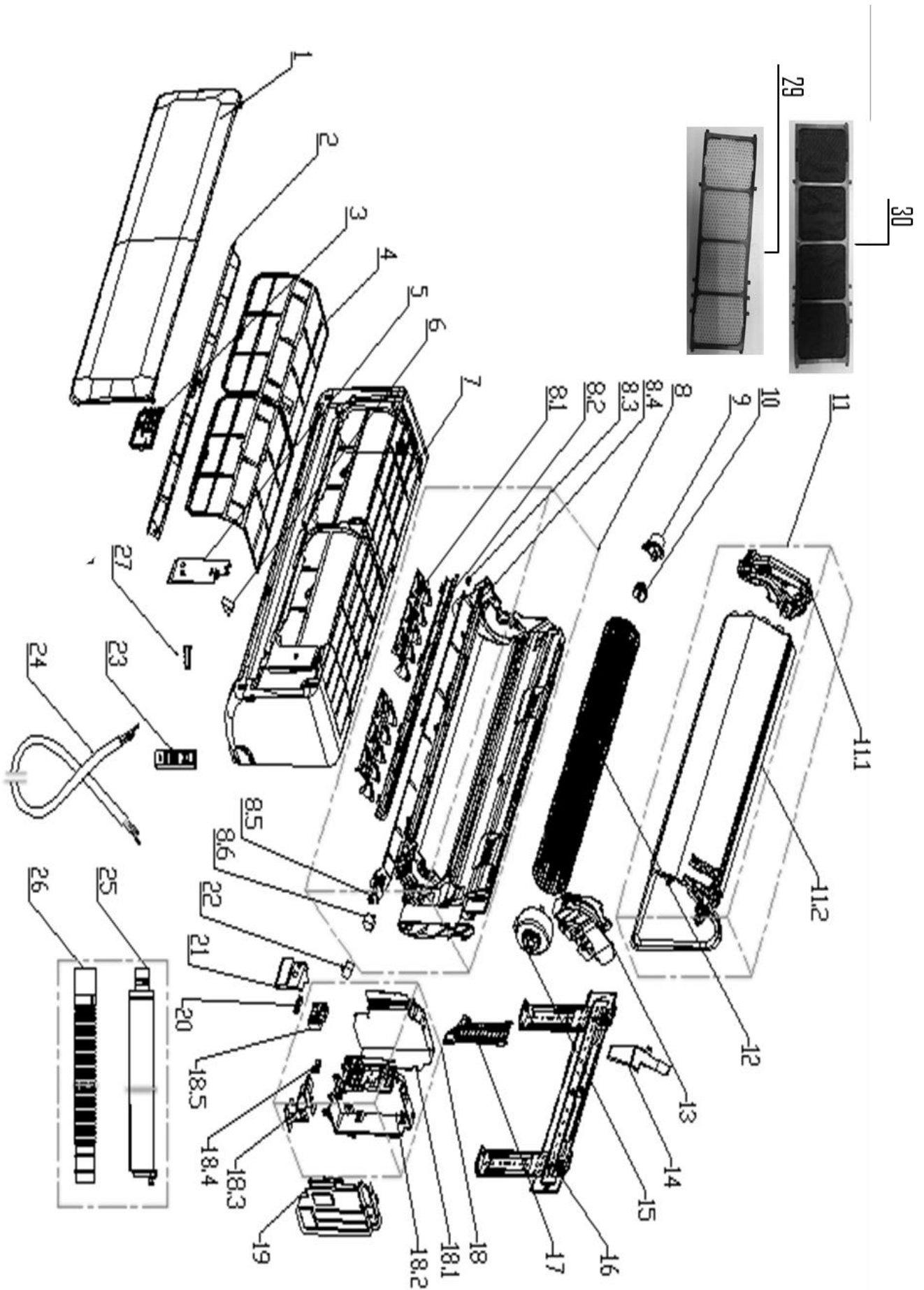
Electrolux Thailand Co.,Ltd.
1910 Electrolux Building
New Petchburi Rd. Bangkok
Huaykwang
Bangkok , 10310
Tel : +662 725 9000

Publication-No
200526

Split RAC (Cool only,
Heat & Cool)

Model : ESV12CRR-C4I
PNC : 956004626 01

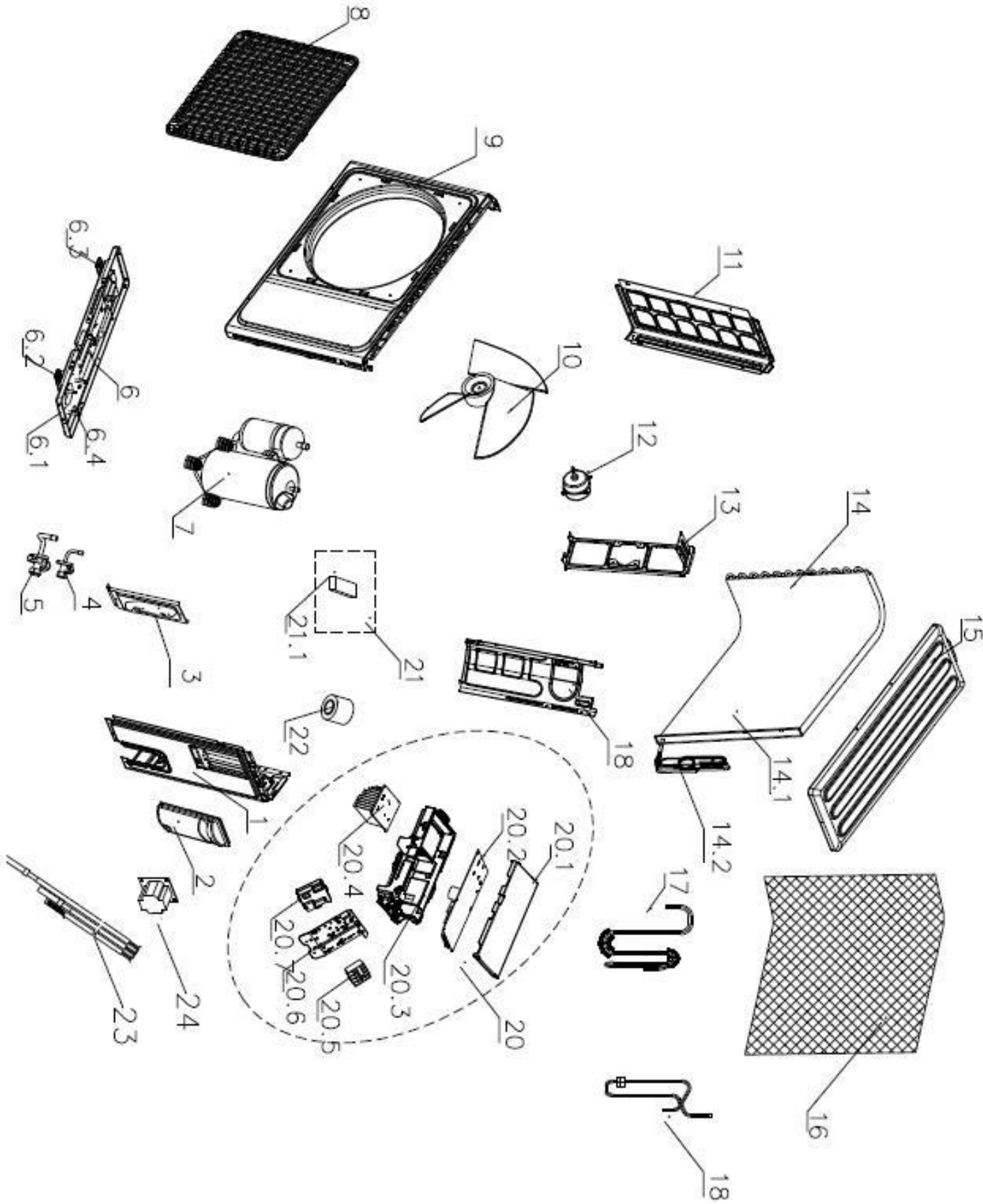
Ex. View Drawing
(Indoor Unit)



Pos.	Part No.	Description	
1	13220502007674	panle	1
2	11320005000382	air louver assembly	1
3	11222014000650	display board	1
4	13220501000588	air filter	2
5	11320076000063	medium frame wiring cover	1
6	11320096000105	screw cover	2
7	11320002000306	medium frame	1
8	11220500000166	chassis assembly	1
8.1	11320017000118	swing blade	2
8.2	11320135000016	air louver	1
8.3	11320079000010	shaft sleeve	1
8.4	11320001000217	chassis	1
8.5	11320079000013	step motor shaft sleeve	1
8.6	11230002000058	step motor	1
9	11320062000028	bearing fixed chassis	1
10	11220551000003	bearing assembly	1
11	11224003000702	evaporator assembly	1
12	11220513000068	cross flow fan	1
13	11320052000032	motor cover	1
14	11320065000028	breakwater	1
15	11230003000147	indoor fan motor	1
16	11321003000028	mounting plate assembly	1
17	11320084000015	pipe clamp	1
18	13222002002560	main controller	1
19	11321012000005	controller box sheet-metal A	1
20	11320010000037	power wire cable clamp	1
21	11321012000007	controller box sheet-metal C	1
23	11222001000869	remote control	1
25	11220506000009	water outlet assembly	1
26	11320020000008	draining pipe	1
27	11333003000009	water stopper	1
29	11320025000037	VC filter	1
30	11320025000036	active carbon filter	1
999	11329013000103	Integrated Temperature Sensor	1

Model : ESV12CRR-C4E
PNC : 956004627 01

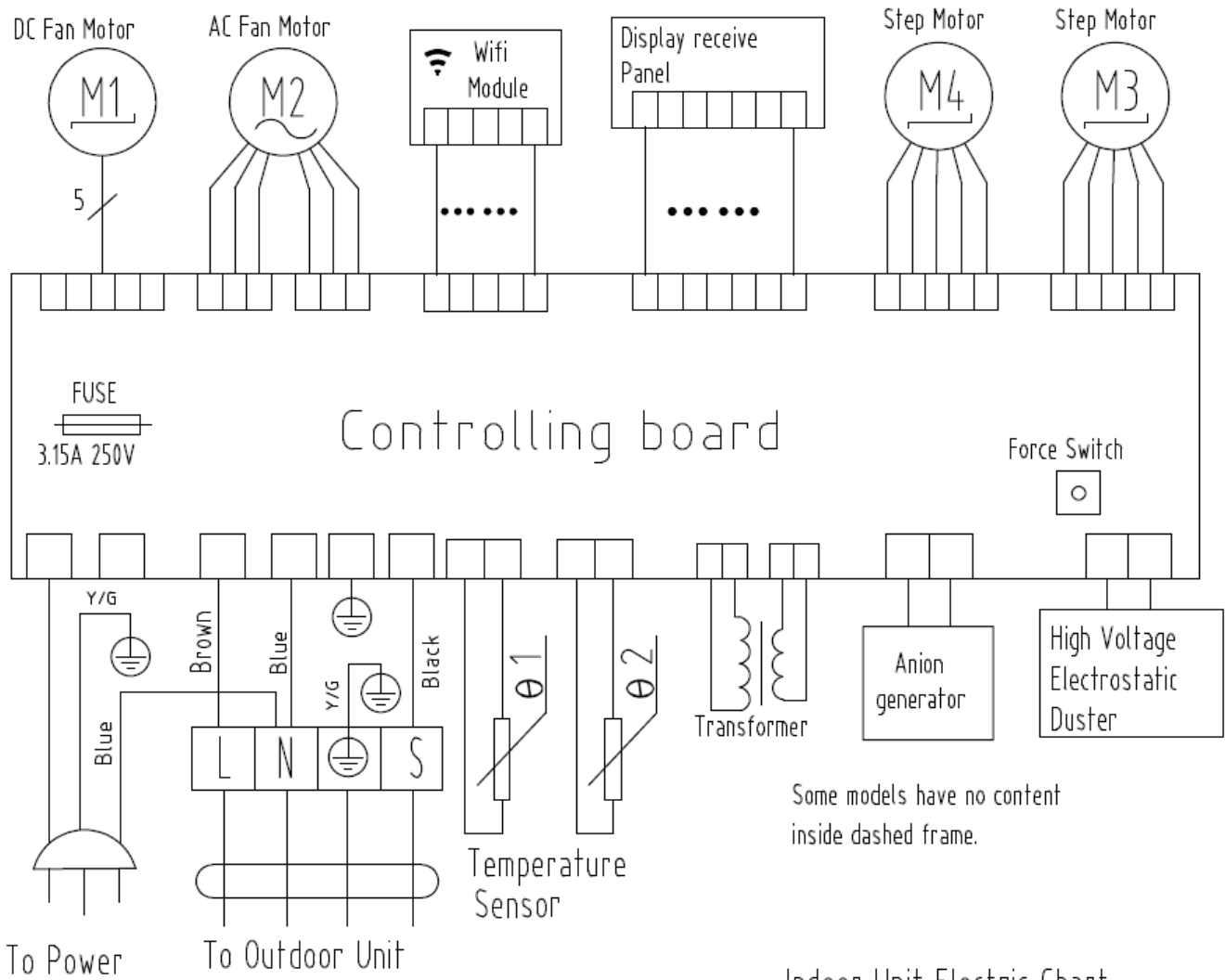
Ex. View Drawing
(Outdoor Unit)



Pos.	Part No.	Description	
1	11321007000304	right side board	1
2	11320101000033	E-parts cover	1
3	11321031000027	valve plate	1
4	11325042000030	stop valve	1
5	11325042000015	stop valve	1
6	11221502000442	Chassis assembly	1
6.1	11321014000144	chassis	1
6.2	11321023000012	footing	2
6.4	14731005000015	bolt	3
7	11223015000140	compressor	1
8	11320026000046	panel grille	1
9	11321005000104	panel	1
10	11320009000049	axial flow fan	1
11	11321006000108	left side board	1
12	11230004000302	fan motor	1
13	11321002000039	motor support	1
14	11224004001645	Condenser assembly	1
15	11321009000033	top cover	1
17	11225504000796	suction pipe assembly	1
18	11225505000947	discharge pipe assembly	1
19	11321025000048	partition board	1
20	11222004001036	Main controller	1
20.1	11320058000081	control box cover	1
20.2	11222031000999	Main control board	1
20.3	11320057000101	control box	1
20.5	11330037000171	terminal board	1
20.6	11321015000068	E-parts bracket	1
21	11219005000166	accessory bag	1
21.1	14618079000002	putty	1
22	11320022000016	plastic tape	1
23	11329013000105	thermal sensor	1
24	11330034000008	reactor	1

Model : ESV12CRR-C4I
 PNC : 956004626 01

Ex. Wiring
 (Indoor Unit)



Some models have no content
 inside dashed frame.

Indoor Unit Electric Chart

Model : ESV12CRR-C4E
 PNC : 956004627 01

Ex. Wiring
 (Outdoor Unit)

