

# Electrolux

## SPARE PARTS LIST

Split RAC  
(Cool only, Heat & Cool)  
4150

ESV12CRR-C2



ESV12CRR-C3



Item	PNC	ELC	Brand	Model	Market
A	956004607	00	Electrolux	ESV12CRR-C2	VNE
A	956004608	00	Electrolux	ESV12CRR-C2I	VNE
A	956004609	00	Electrolux	ESV12CRR-C2E	VNE
A	956004616	00	Electrolux	ESV12CRR-C3	VNE
A	956004617	00	Electrolux	ESV12CRR-C3I	VNE
A	956004618	00	Electrolux	ESV12CRR-C3E	VNE

### **SAFETY WARNING**

**Always turn off and unplug the machine before detaching any parts.**

When servicing machines, do not remove ANY detachable parts while the machine is powered. The reason is internal faults may cause shorts to components that are normally at low voltage presenting a shock hazard.

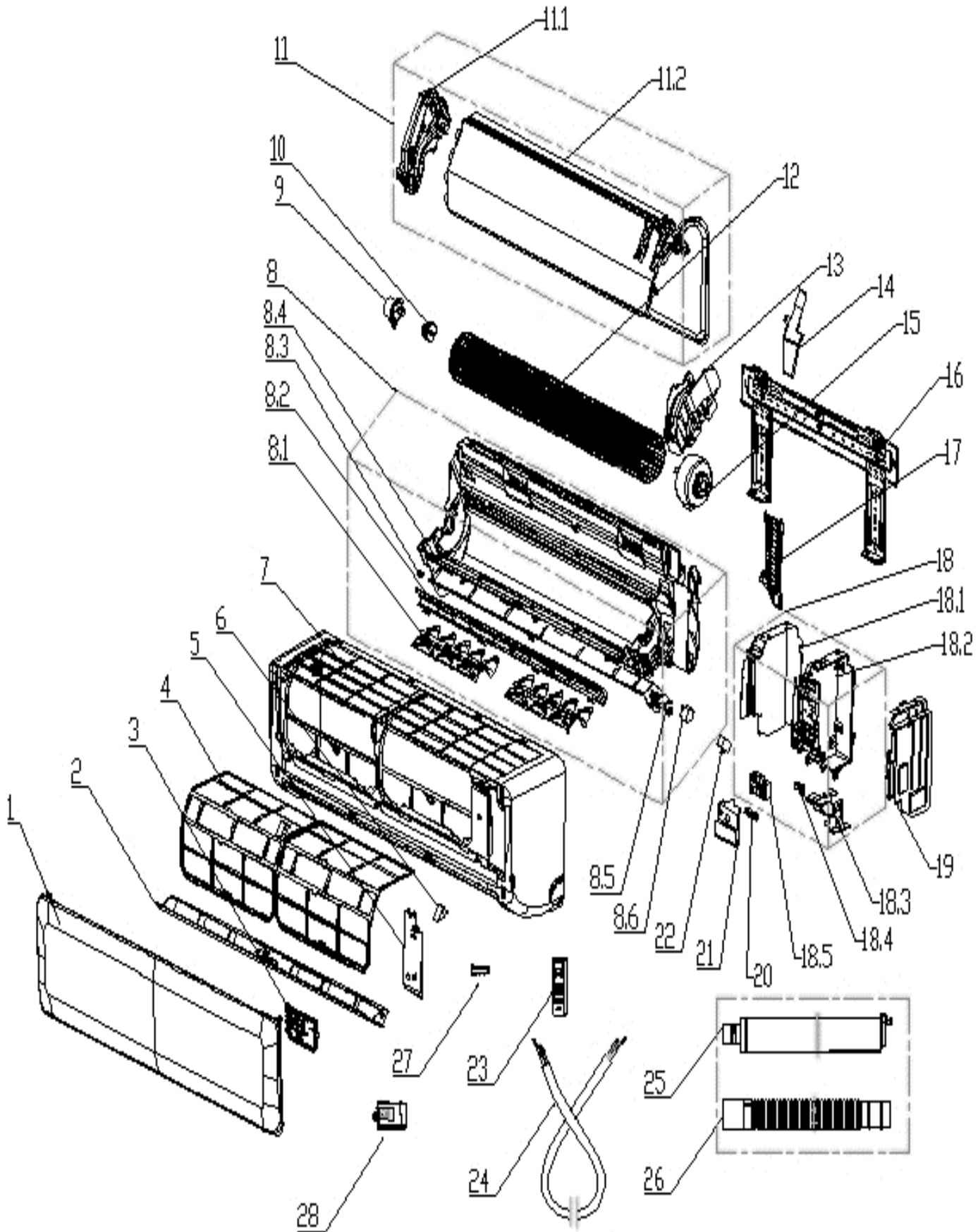
Electrolux Thailand Co.,Ltd.  
1910 Electrolux Building  
New Petchburi Rd. Bangkok  
Huaykwang  
Bangkok , 10310  
Tel : +662 725 9000

Publication-No  
190411

Split RAC (Cool only,  
Heat & Cool)

Model : ESV12CRR-C2I  
ESV12CRR-C3I  
PNC : 956004608 00  
956004617 00

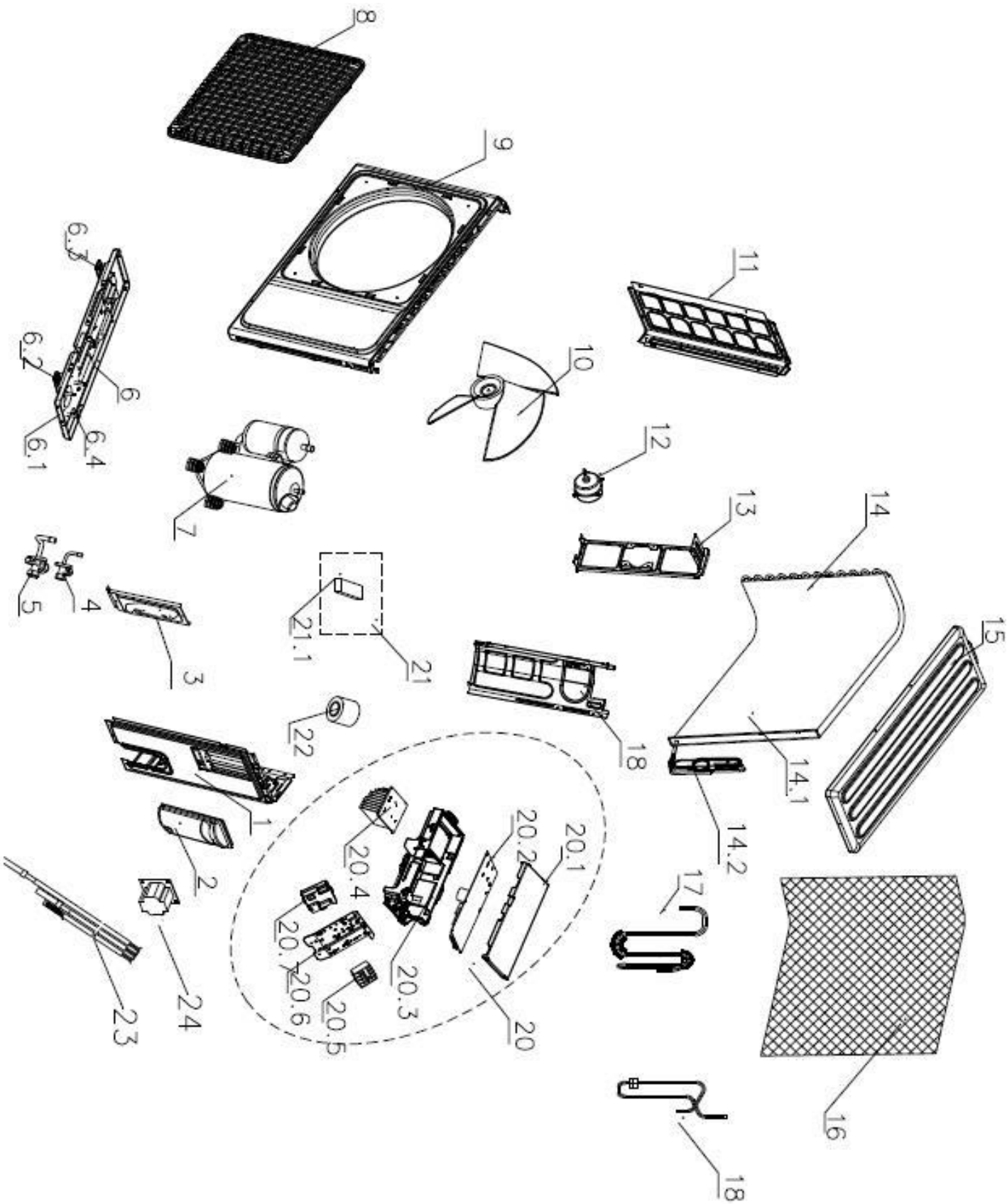
Ex. View Drawing  
(Indoor Unit)



Pos.	Part No.	Description	ESV12CRR-C2	PNC 956004607 00	ESV12CRR-C2I	PNC 956004608 00	ESV12CRR-C2E	PNC 956004609 00	ESV12CRR-C3	PNC 956004616 00	ESV12CRR-C3I	PNC 956004617 00	ESV12CRR-C3E	PNC 956004618 00
1	13220502007702	panle	1	1	-	-	-	-	-	-	-	-	-	-
1	13220502007674	panel	-	-	-	-	1	1	-	-	-	-	-	-
2	11320005000382	air louver assembly	1	1	-	1	1	1	-	-	-	-	-	-
3	11222014000650	display board	1	1	-	1	1	1	-	-	-	-	-	-
4	13220501000588	healthy anti-bacterial filter	2	2	-	2	2	2	-	-	-	-	-	-
5	11320076000063	medium frame wiring cover	1	1	-	1	1	1	-	-	-	-	-	-
6	11320096000105	screw cover	2	2	-	2	2	2	-	-	-	-	-	-
7	11320002000306	medium frame	1	1	-	1	1	1	-	-	-	-	-	-
8	11220500000166	chassis assembly	1	1	-	1	1	1	-	-	-	-	-	-
8.1	11320017000118	swing blade	2	2	-	2	2	2	-	-	-	-	-	-
8.2	11320135000016	air louver	1	1	-	1	1	1	-	-	-	-	-	-
8.3	11320079000010	shaft sleeve	1	1	-	1	1	1	-	-	-	-	-	-
8.4	11320001000217	chassis	1	1	-	1	1	1	-	-	-	-	-	-
8.5	11320079000013	step motor shaft sleeve	1	1	-	1	1	1	-	-	-	-	-	-
8.6	11230002000058	step motor	1	1	-	1	1	1	-	-	-	-	-	-
9	11320062000028	bearing fixed chassis	1	1	-	1	1	1	-	-	-	-	-	-
10	11220551000003	bearing assembly	1	1	-	1	1	1	-	-	-	-	-	-
11	11224003000702	evaporator assembly	1	1	-	1	1	1	-	-	-	-	-	-
12	11220513000068	cross flow fan	1	1	-	1	1	1	-	-	-	-	-	-
13	11320052000032	motor cover	1	1	-	1	1	1	-	-	-	-	-	-
14	11320065000028	breakwater	1	1	-	1	1	1	-	-	-	-	-	-
15	11230003000168	indoor fan motor	1	1	-	1	1	1	-	-	-	-	-	-
16	11321003000028	mounting plate assembly	1	1	-	1	1	1	-	-	-	-	-	-
17	11320084000015	pipe clamp	1	1	-	1	1	1	-	-	-	-	-	-
18	11222003002798	main controller	1	1	-	1	1	1	-	-	-	-	-	-
19	11321012000005	controller box sheet-metal A	1	1	-	1	1	1	-	-	-	-	-	-
20	11320010000037	power wire cable clamp	1	1	-	1	1	1	-	-	-	-	-	-
21	11321012000007	controller box sheet-metal C	1	1	-	1	1	1	-	-	-	-	-	-
23	11222001000856	remote control	1	1	-	1	1	1	-	-	-	-	-	-
25	11220506000009	Water outlet assembly	1	1	-	1	1	1	-	-	-	-	-	-
26	11320020000008	Draining pipe	1	1	-	1	1	1	-	-	-	-	-	-
27	11333003000009	water stopper	1	1	-	1	1	1	-	-	-	-	-	-
999	11329013000103	Integrated Temperature Sensor	1	1	-	1	1	1	-	-	-	-	-	-

Model : ESV12CRR-C2E  
ESV12CRR-C3E  
PNC : 956004609 00  
956004618 00

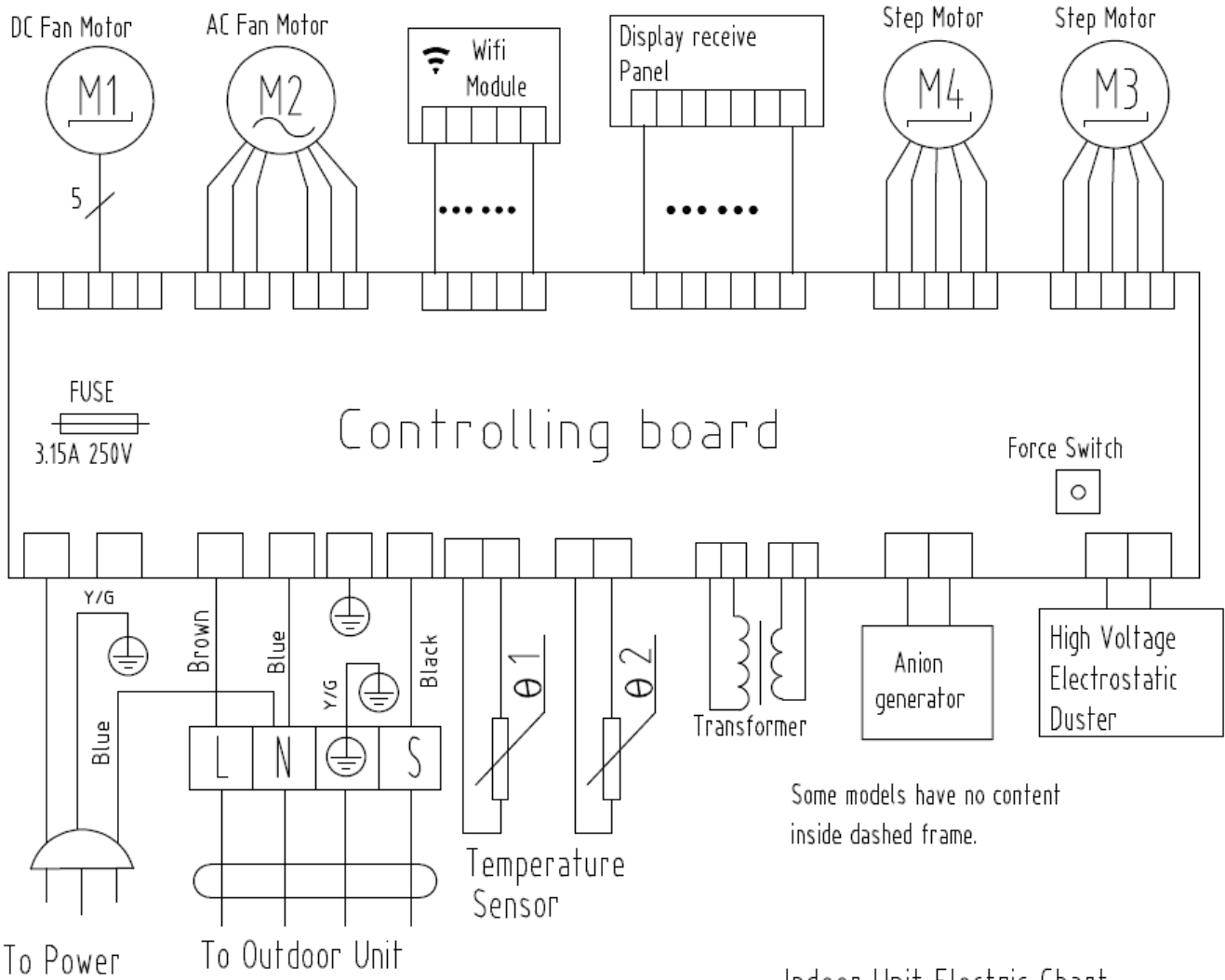
Ex. View Drawing  
(Outdoor Unit)



Pos.	Part No.	Description	ESV12CRR-C2	PNC 956004607 00	ESV12CRR-C2I	PNC 956004608 00	ESV12CRR-C2E	PNC 956004609 00	ESV12CRR-C3	PNC 956004616 00	ESV12CRR-C3I	PNC 956004617 00	ESV12CRR-C3E	PNC 956004618 00
1	11321007000304	right side board	1	-	1	1	1	-	1	-	1	-	1	
2	11320101000033	E-parts cover	1	-	1	1	1	-	1	-	1	-	1	
3	11321031000027	valve plate	1	-	1	1	1	-	1	-	1	-	1	
4	11325042000030	stop valve	1	-	1	1	1	-	1	-	1	-	1	
5	11325042000015	stop valve	1	-	1	1	1	-	1	-	1	-	1	
6	11221502000442	Chassis assembly	1	-	1	1	1	-	1	-	1	-	1	
6.1	11321014000144	chassis	1	-	1	1	1	-	1	-	1	-	1	
6.2	11321023000012	base footing	2	-	2	2	2	-	2	-	2	-	2	
6.4	14731005000064	bolt	3	-	3	3	3	-	3	-	3	-	3	
7	11223015000140	compressor and accessories	1	-	1	1	1	-	1	-	1	-	1	
8	11320026000046	panel grille	1	-	1	1	1	-	1	-	1	-	1	
9	11321005000104	panel	1	-	1	1	1	-	1	-	1	-	1	
10	11320009000049	axial flow fan	1	-	1	1	1	-	1	-	1	-	1	
11	11321006000108	left side board	1	-	1	1	1	-	1	-	1	-	1	
12	11230004000331	motor	1	-	1	1	1	-	1	-	1	-	1	
13	11321002000039	motor support	1	-	1	1	1	-	1	-	1	-	1	
14	11224004001645	Condenser assembly	1	-	1	1	1	-	1	-	1	-	1	
15	11321009000033	top cover	1	-	1	1	1	-	1	-	1	-	1	
17	11225504000796	suction pipe assembly	1	-	1	1	1	-	1	-	1	-	1	
18	11225505000947	discharge pipe assembly	1	-	1	1	1	-	1	-	1	-	1	
19	11321025000048	partition board	1	-	1	1	1	-	1	-	1	-	1	
20	11222004000950	Main controller	1	-	1	1	1	-	1	-	1	-	1	
20.1	11320058000081	control box cover	1	-	1	1	1	-	1	-	1	-	1	
20.2	11222031000999	Main control board	1	-	1	1	1	-	1	-	1	-	1	
20.3	11320057000101	control box	1	-	1	1	1	-	1	-	1	-	1	
20.5	11330037000171	terminal board	1	-	1	1	1	-	1	-	1	-	1	
20.6	11321015000068	E-parts bracket	1	-	1	1	1	-	1	-	1	-	1	
21	11219005000203	accessory bag	1	-	1	1	1	-	1	-	1	-	1	
21.1	14618079000002	putty	1	-	1	1	1	-	1	-	1	-	1	
22	11320022000016	plastic tape	1	-	1	1	1	-	1	-	1	-	1	
23	11329013000105	thermal sensor	1	-	1	1	1	-	1	-	1	-	1	
24	11330034000008	reactor	1	-	1	1	1	-	1	-	1	-	1	

Model : ESV12CRR-C2I  
 ESV12CRR-C3I  
 PNC : 956004608 00  
 956004617 00

Ex. Wiring  
 (Indoor Unit)



Some models have no content  
 inside dashed frame.

Indoor Unit Electric Chart

Model : ESV12CRR-C2E  
 ESV12CRR-C3E  
 PNC : 956004609 00  
 956004618 00

Ex. Wiring  
 (Outdoor Unit)

