

# Electrolux

## SPARE PARTS LIST

Freestanding Cookers  
2230

Item	PNC	ELC	Brand	Model	Market
A	943003430	00	Electrolux	EKG20100OK	IDH
A	943003430	01	Electrolux	EKG20100OK	IDH

### **SAFETY WARNING**

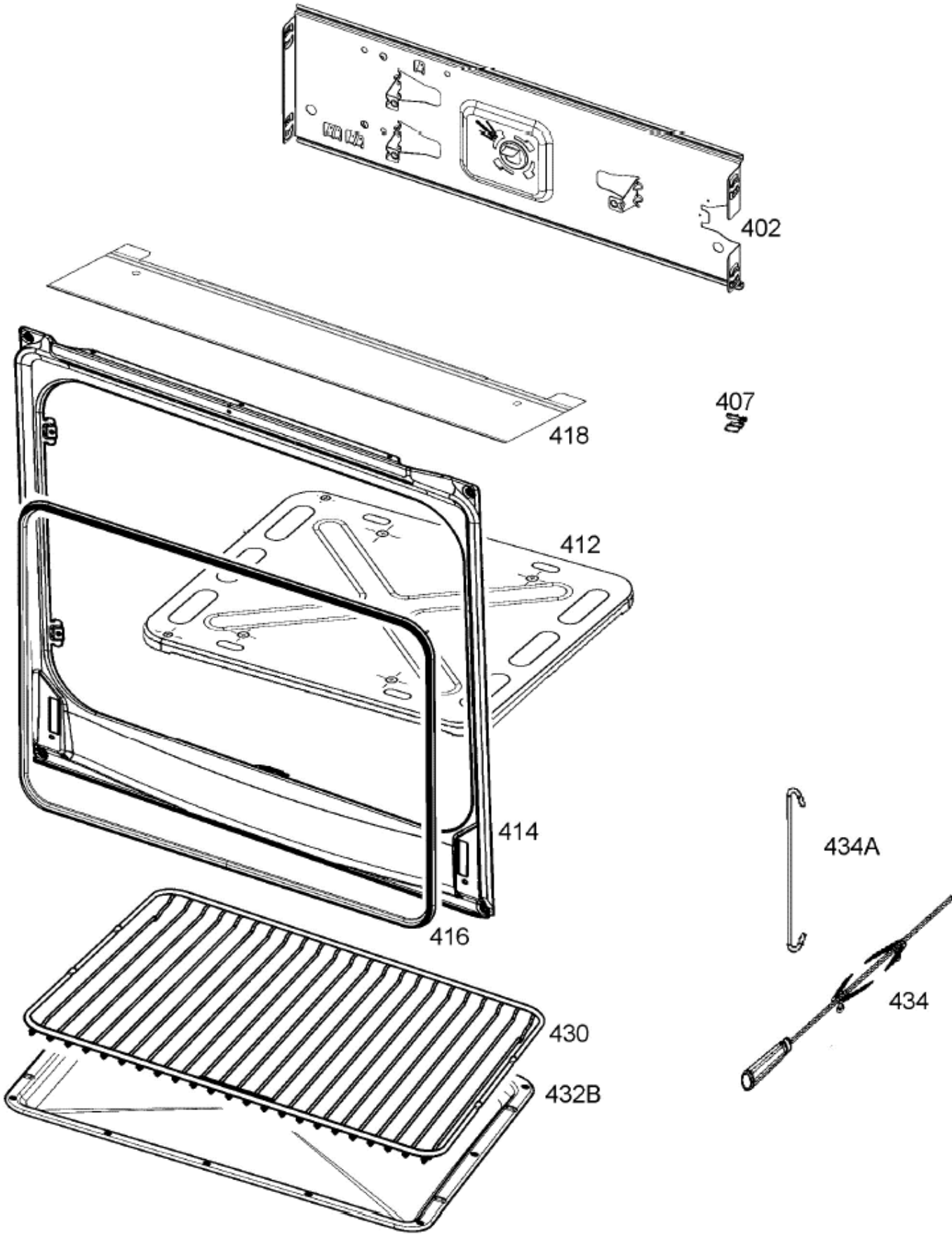
**Always turn off and unplug the machine before detaching any parts.**

When servicing machines, do not remove ANY detachable parts while the machine is powered. The reason is internal faults may cause shorts to components that are normally at low voltage presenting a shock hazard.

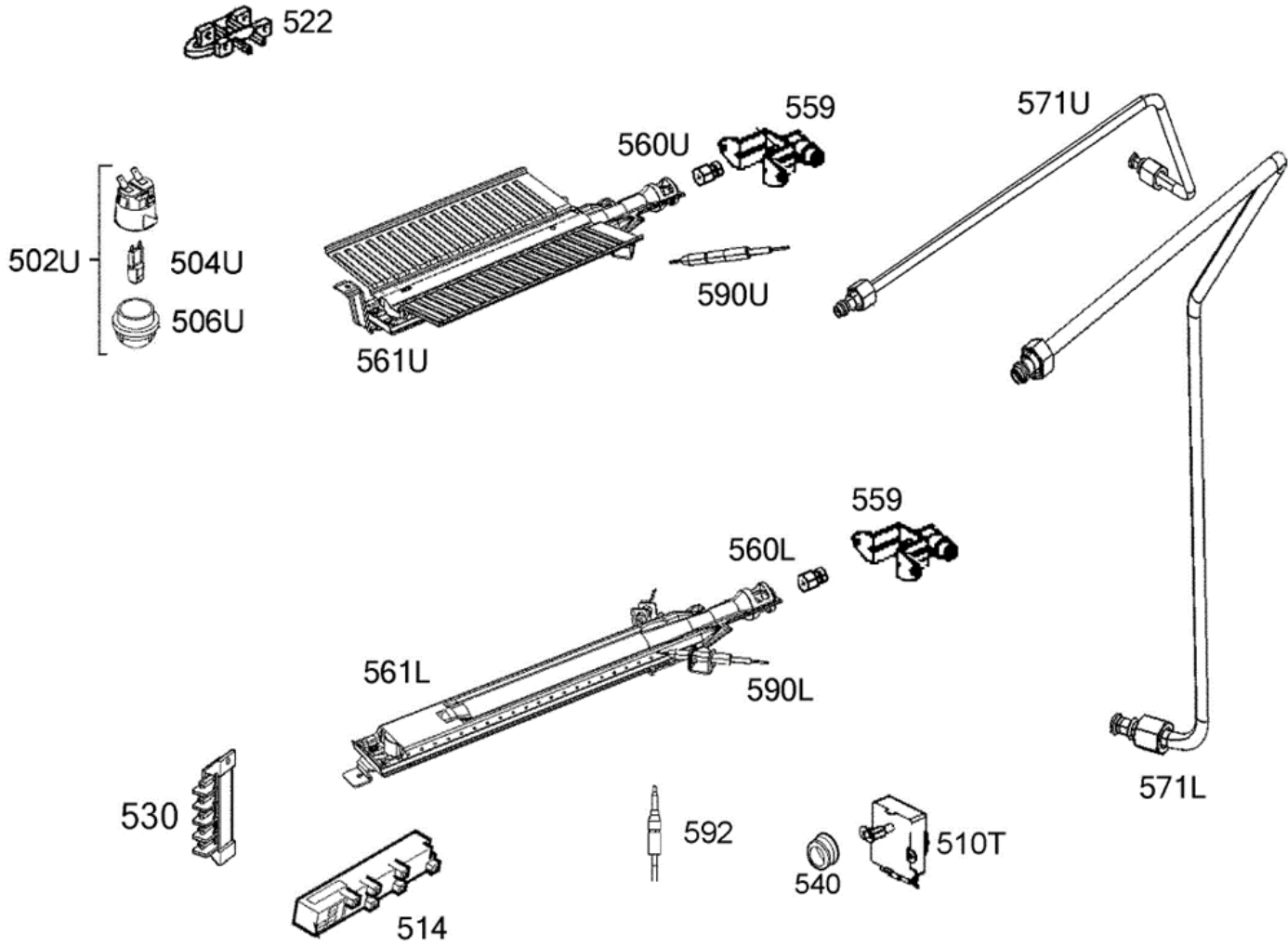
Freestanding Cookers

Electrolux Thailand Co.,Ltd.  
1910 Electrolux Building  
New Petchburi Rd. Bangkok  
Huaykwang  
Bangkok , 10310  
Tel : +662 725 9000

Publication-No.  
170228



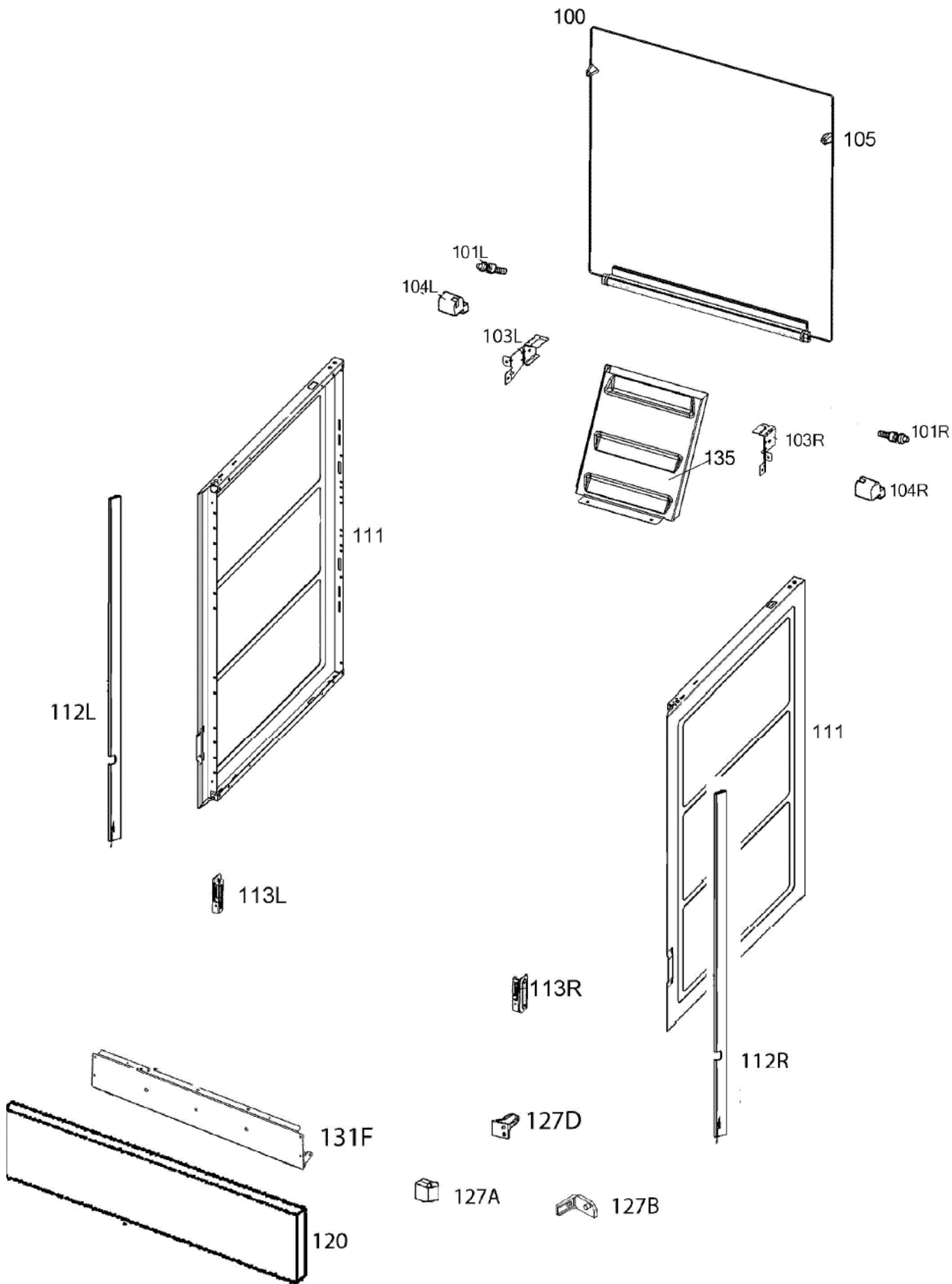
<b>Pos.</b>	<b>Part No.</b>	<b>Description</b>	<b>943003430 ELC00</b>	<b>943003430 ELC01</b>
402	342 17 42-02 / 8	Mounting bracket,motor	■	■
407	354 31 32-01 / 7	Spring,Bulb,oven thermostat	■	■
412	353 20 11-08 / 1	Cover,bottom heater	■	■
414	808 27 29-14 / 9	Front frame,black	■	■
416	357 72 52-02 / 0	Assembly,gasket,front frame,L=1441	■	■
418	342 17 27-03 / 7	Protection shield	■	■
430	342 39 84-01 / 6	Grill grid,423x344mm	■	■
432B	342 39 81-05 / 3	Drip pan,enamelled,422x370x33mm	■	■
434	357 72 83-04 / 1	Turnspit,complete	■	■
434A	342 48 74-01 / 8	Turnspit,hook	■	■



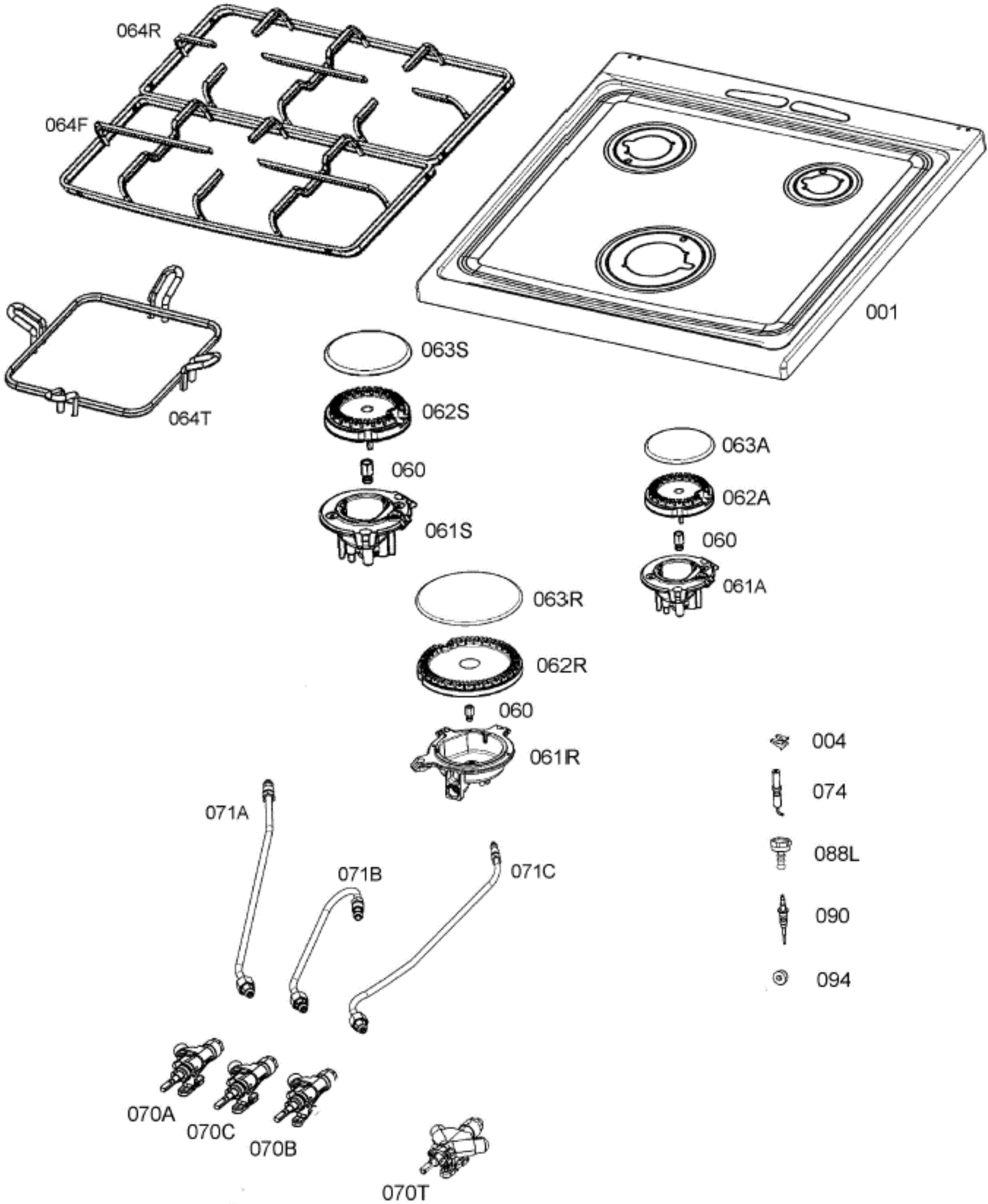
<b>Pos.</b>	<b>Part No.</b>	<b>Description</b>	<b>943003430 ELC00</b>	<b>943003430 ELC01</b>
502U	387 93 76-93 / 1	Oven lamp,complete,toggle switch,G9,230V,25W	■	■
504U	808 56 41-01 / 0	Bulb,oven lamp,G9,230V,25W	■	■
506U	387 93 76-90 / 7	Glass cover,oven lamp,top,E14/G9	■	■
510T	357 05 09-02 / 0	Turnspit motor	■	■
514	808 26 43-01 / 9	Spark generator	■	■
522	355 60 38-01 / 0	Anti-strain clip	■	■
530	358 19 80-07 / 9	Terminal block,2 pole	■	■
540	356 52 00-01 / 5	Sealing,anticondensation,turnspit	■	■
559	342 03 42-01 / 0	Support,nozzle	■	■
560L	354 40 13-29 / 9	Jet,gas,d=0.80 LPG	■	■
560U	354 40 00-36 / 1	Jet,gas,d=0.71 LPG	■	■
561L	342 39 77-01 / 0	Burner,oven	■	■
561U	342 39 78-01 / 8	Burner,grill	■	■
571L	342 37 72-01 / 5	Gas pipe,oven burner	■	■
571U	342 37 81-02 / 4	Pipe,grill	■	■
590L	342 90 67-03 / 0	Thermocouple,oven,L=1100	■	■
590U	342 90 67-02 / 2	Thermocouple,grill,L=800	■	■
592	342 90 68-01 / 2	Spark plug,oven,L=450mm	■	■
592	342 90 68-02 / 0	Spark plug,oven,L=750mm	■	■

Model :EKG20100OK

Ex. View Drawing

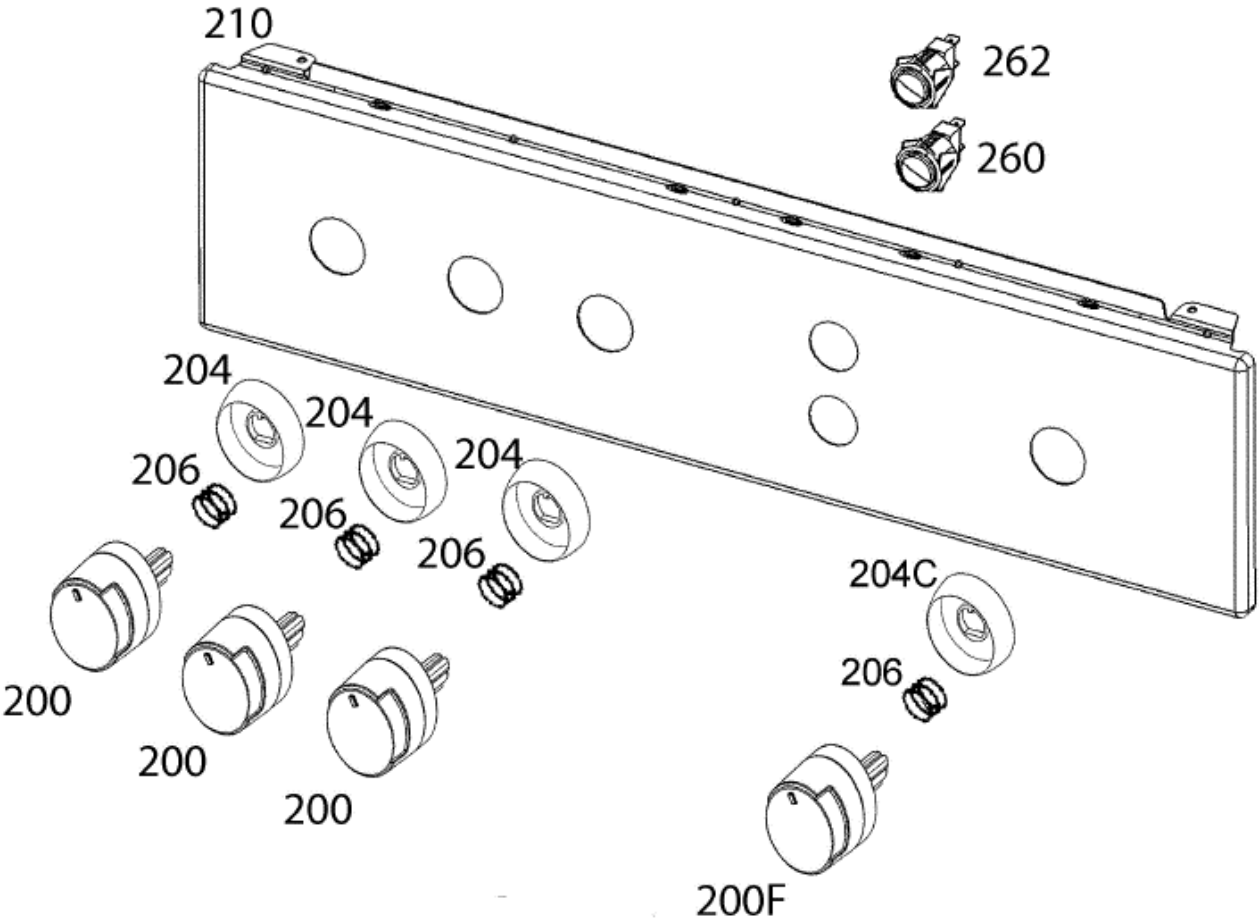


<b>Pos.</b>	<b>Part No.</b>	<b>Description</b>	<b>943003430 ELC00</b>	<b>943003430 ELC01</b>
100	14000 78 75-02 / 8	Lid,assembly	■	■
101L	14003 64 88-02 / 5	Hinge,lid,left	■	■
101R	14003 64 88-01 / 7	Hinge,lid,right	■	■
103L	342 03 61-01 / 0	Hinge support,lid,left	■	■
103R	342 03 61-02 / 8	Hinge support,lid,right	■	■
104L	342 58 69-02 / 5	Lid,Block,left	■	■
104R	342 58 69-01 / 7	Lid,Block,right	■	■
105	342 68 78-01 / 7	Buffer,lid	■	■
111	342 18 30-15 / 3	Side panel,left-right,black,409,5x807mm	■	■
112L	342 17 86-21 / 5	Frame side ,black,left	■	■
112R	342 17 86-22 / 3	Frame side ,black,right	■	■
113L	342 03 39-01 / 6	Support,hinge,left	■	■
113R	342 03 39-02 / 4	Support,hinge,right	■	■
120	342 17 68-20 / 5	Drawer panel	■	■
127A	342 56 97-01 / 2	Hinge,lower flap	■	■
127B	342 57 23-01 / 6	Support,Door hinge,right	■	■
127B	342 57 23-02 / 4	Support,Door hinge,left	■	■
127D	342 57 22-01 / 8	Bracket,door,left	■	■
127D	342 57 22-02 / 6	Bracket,door,right	■	■
131F	342 17 65-12 / 8	Plinth,front	■	■
135	342 17 74-01 / 3	Exhaust duct	■	■
999	342 03 53-02 / 5	Bracket,tipping protection	■	■
999	342 58 35-01 / 8	Adjustable foot,black	■	■
999	342 92 93-01 / 6	Weight,counter,4,73kg	■	■
999	342 93 09-02 / 8	Weight,counter,2,5kg	■	■
999	867 31 38-55 / 1	User manual,EN ID	■	■

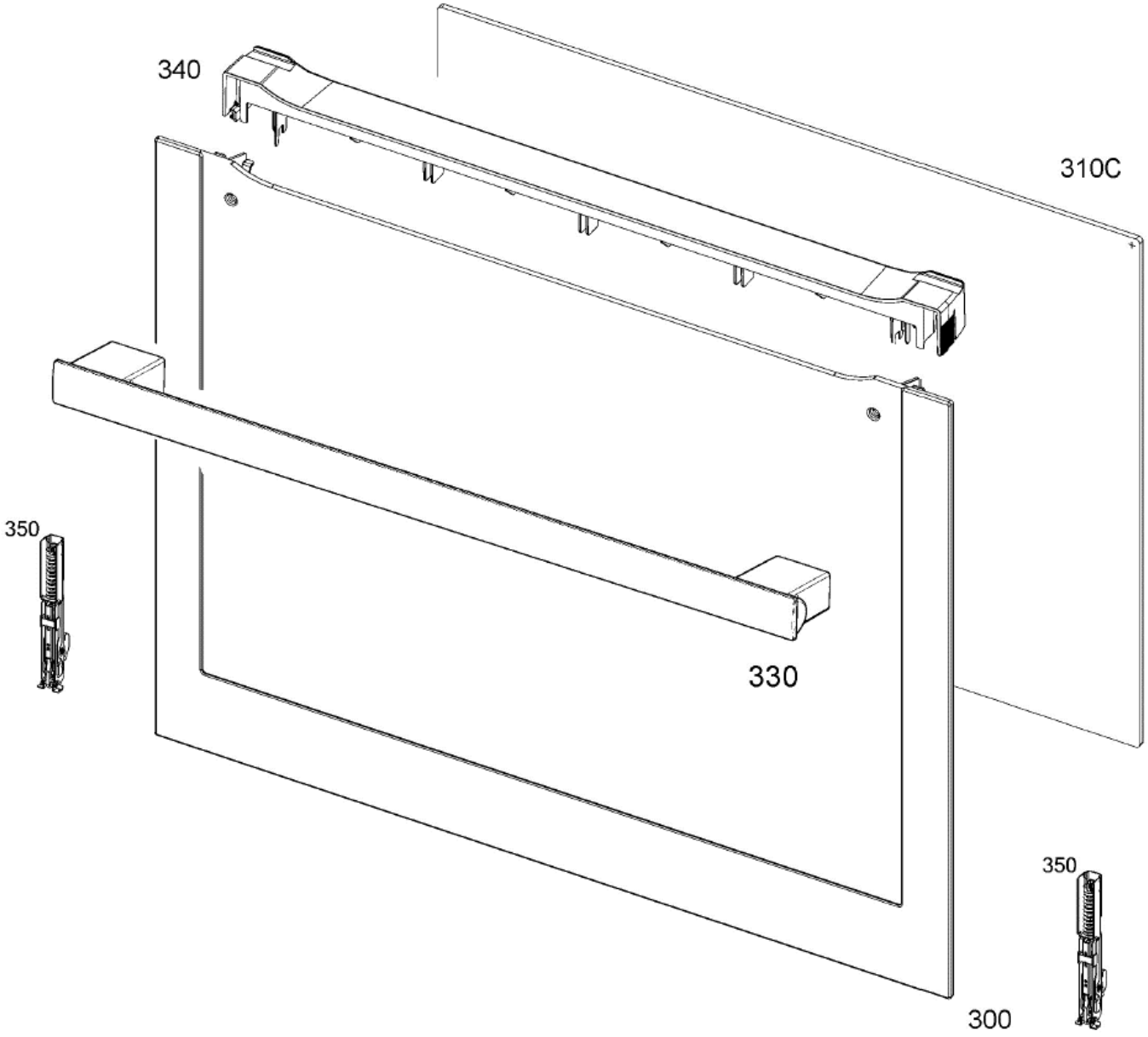




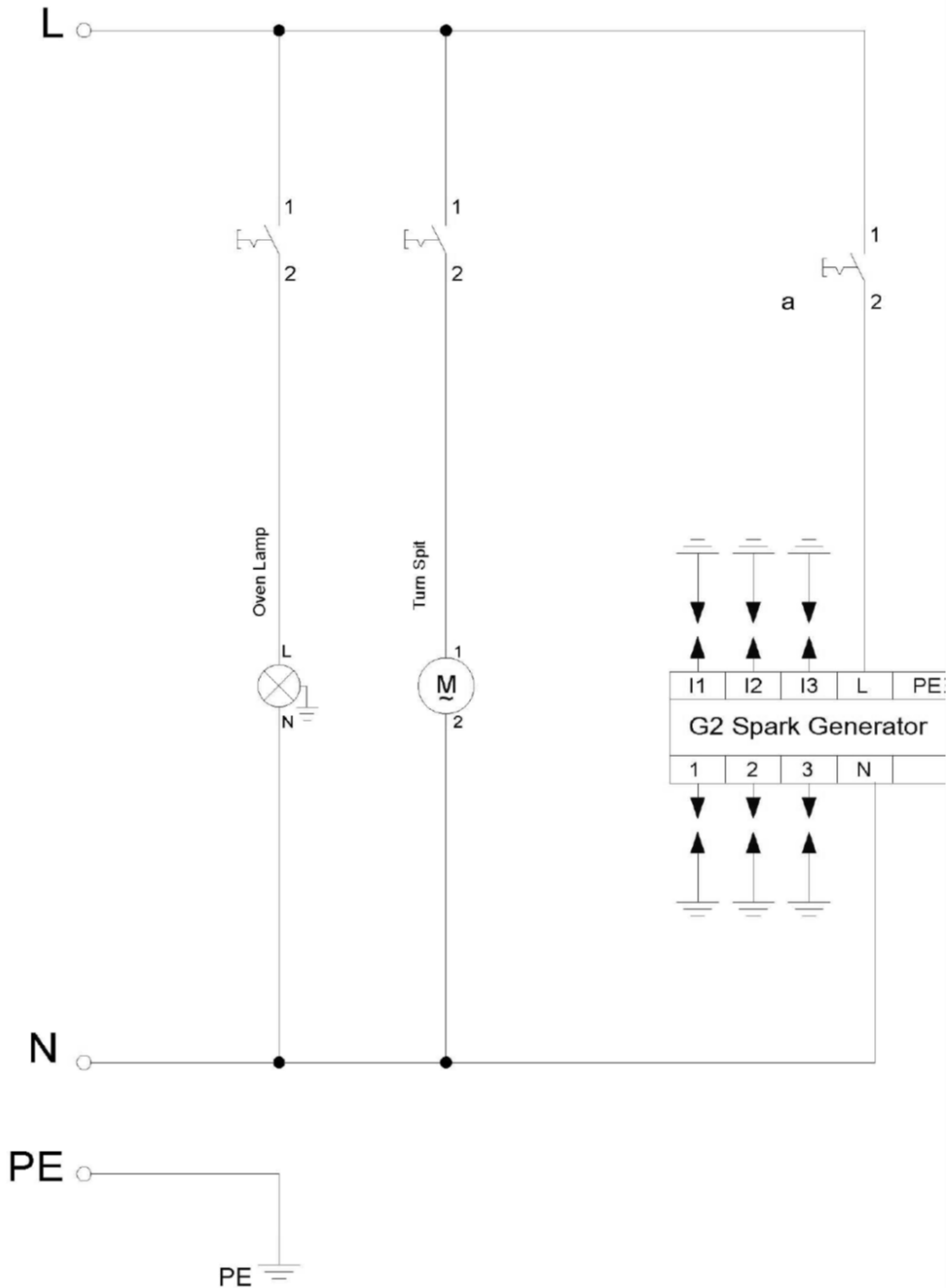
<b>Pos.</b>	<b>Part No.</b>	<b>Description</b>	<b>943003430 ELC00</b>	<b>943003430 ELC01</b>
001	342 22 49-31 / 2	Work top,black,3B	■	■
004	354 30 81-01 / 6	Fixing spring,spark plug,thermocouple	■	-
004	14003 38 17-01 / 0	Fixing spring,spark plug,thermocouple	-	■
060	405 50 71-66 / 8	Nozzle set,LPG, (G30-G31)	■	■
061A	342 42 65-02 / 7	Burner body,auxiliary	■	-
061A	14001 48 38-03 / 5	Burner body,auxiliary	-	■
061R	342 92 37-01 / 3	Burner body,rapid	■	-
061R	14001 48 40-03 / 1	Burner body,rapid	-	■
061S	342 92 36-01 / 5	Burner body,semi-rapid	■	-
061S	14001 48 39-03 / 3	Burner body,semi-rapid	-	■
062A	354 01 38-01 / 7	Crown,small burner	■	■
062R	354 01 36-05 / 2	Crown,large burner	■	■
062S	354 01 37-01 / 9	Crown,medium burner	■	■
063A	807 24 24-03 / 2	Cap,burner,auxiliary	■	■
063R	807 24 24-01 / 6	Cap,burner,rapid	■	■
063S	807 24 24-02 / 4	Cap,burner,semi-rapid	■	■
064F	342 39 65-01 / 5	Grid,pan support,left-right	■	■
064R	342 39 64-01 / 8	Grid,pan support,right	■	■
064T	354 61 43-02 / 9	Grill,wok,TCS	■	■
070A	342 90 75-01 / 7	Gas tap,semi-rapid,burner,d=0.32	■	■
070B	342 90 75-05 / 8	Gas tap,auxiliary,burner,d=0.29	■	■
070C	342 90 75-08 / 2	Gas tap,rapid,burner,d=0.42	■	■
070T	342 90 33-28 / 9	Safety valve,thermal,thermostat,2 ways 0,44	■	■
071A	342 38 43-01 / 4	Gas pipe,left,rear	■	■
071B	342 38 44-01 / 2	Gas pipe,middle,front	■	■
071C	342 38 45-01 / 9	Gas pipe,right,rear	■	■
074	357 06 98-01 / 3	Spark plug,ignition,L=250 CAST	■	-
074	14001 33 06-03 / 4	Spark plug,ignition,L=250	-	■
074	357 73 48-12 / 5	Spark plug,ignition,L=400	■	-
074	14001 33 06-06 / 7	Spark plug,ignition,L=400	-	■
088L	354 31 70-01 / 7	Rubber holder,liquid gas	■	■
090	357 05 63-01 / 9	Thermocouple,ORKLI L=275mm	■	■
090	357 05 63-06 / 8	Thermocouple,ORKLI L=450mm	■	■
094	342 68 11-02 / 6	Gasket,d.18/12	■	■
999	342 48 52-01 / 4	Bolt,Support,burner,M4x9 PH	■	■



<b>Pos.</b>	<b>Part No.</b>	<b>Description</b>	<b>943003430 ELC00</b>	<b>943003430 ELC01</b>
200	342 58 83-04 / 2	Knob,gas,black	■	■
200F	342 58 84-04 / 0	Knob,function	■	■
204	342 58 63-03 / 6	Indication,ring,hob	■	■
204C	342 58 64-03 / 4	Indicator,ring,oven	■	■
206	354 30 29-03 / 1	Knob spring	■	■
210	14005 07 69-01 / 1	Control panel,black,50cm,4K	■	■
260	357 03 82-06 / 3	Button,ignition,black	■	■
262	357 03 81-07 / 3	Switch,one-pole	■	■
999	342 58 13-01 / 5	Holder,hob,plastic	■	■



<b>Pos.</b>	<b>Part No.</b>	<b>Description</b>	943003430 ELC00	943003430 ELC01
300	342 84 34-35 / 5	Front glass,black,Electrolux,493x467mm	■	■
310C	342 93 49-03 / 2	Door glass,466,5x384,5	■	■
330	342 58 42-06 / 3	Handle,door	■	■
340	342 58 88-01 / 7	Top cover,door,black	■	■
350	14001 99 96-07 / 7	Hinge,oven door,4,9-5,3kg	■	■



**SAFETY WARNING**

**Always turn off and unplug the machine before detaching any parts.**  
 When servicing machines, do not remove ANY detachable parts while the machine is powered. The reason is internal faults may cause shorts to components that are normally at low voltage presenting a shock hazard.