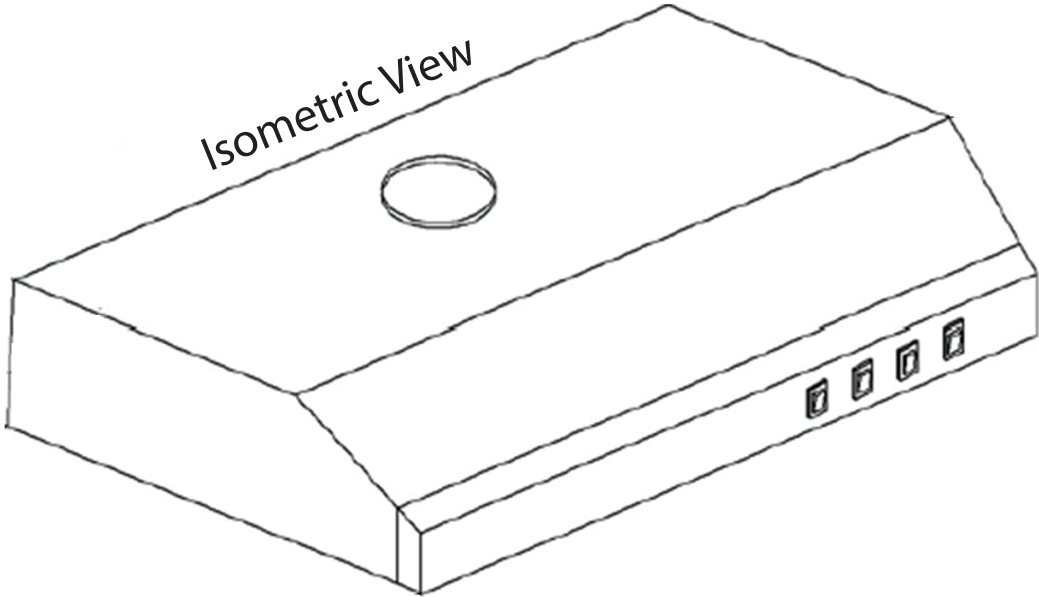


Isometric View



Exploded View

