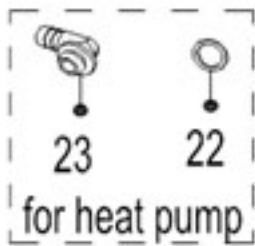


Accessory part



21

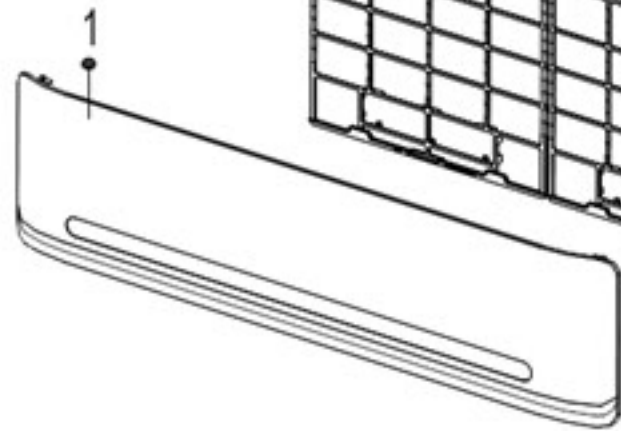


23

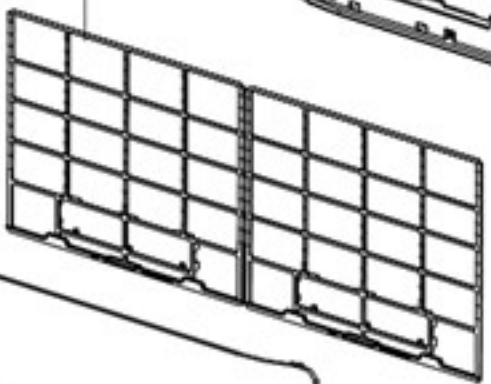
22

for heat pump

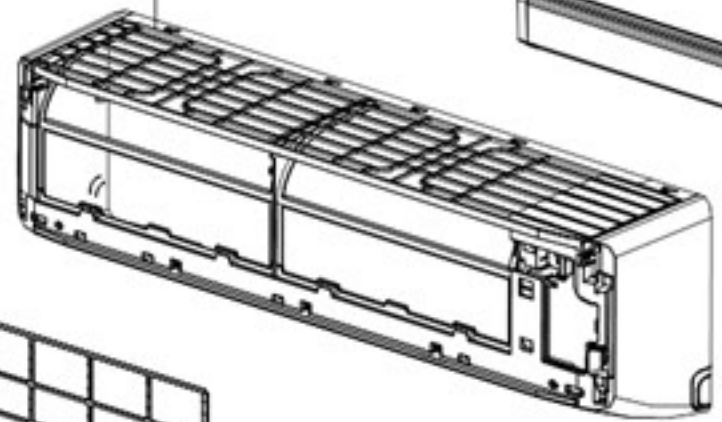
24



1



2



5



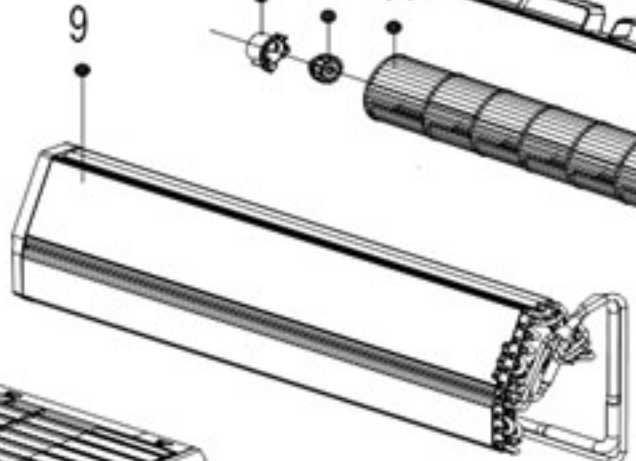
3



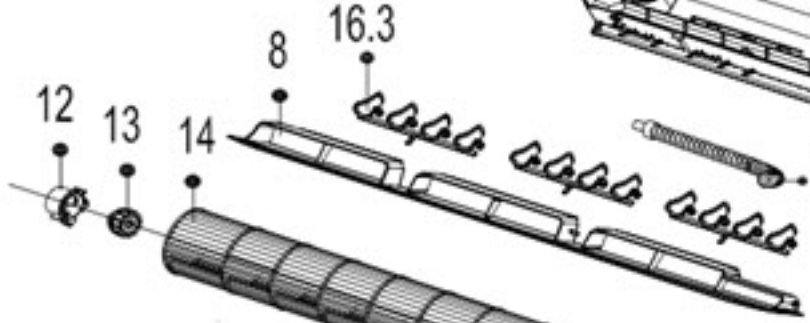
4



7



9



8

12

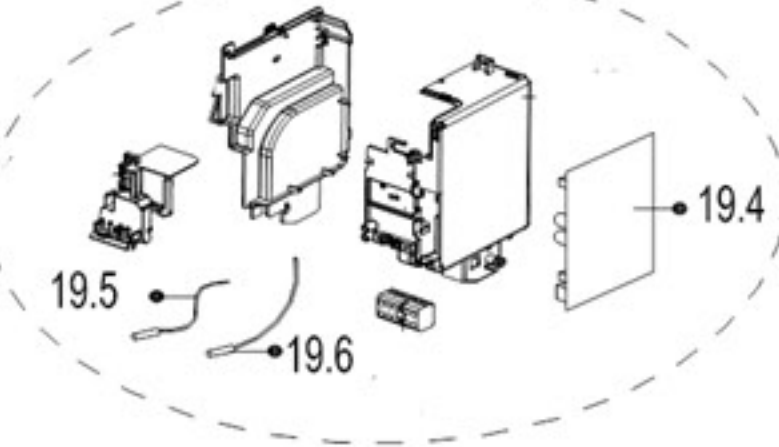
13

14

16.3

28

16.1

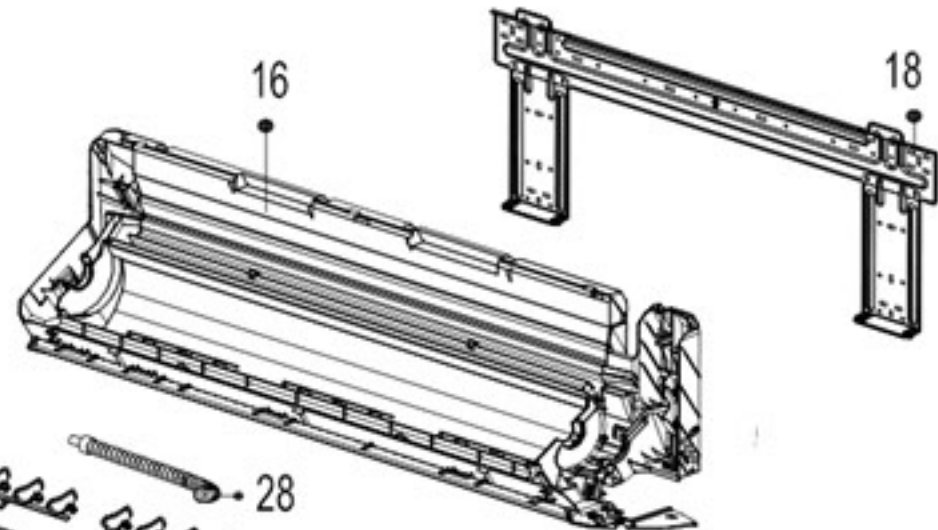


19

19.4

19.5

19.6



16

18

11