

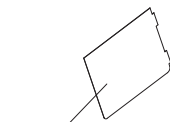
T04



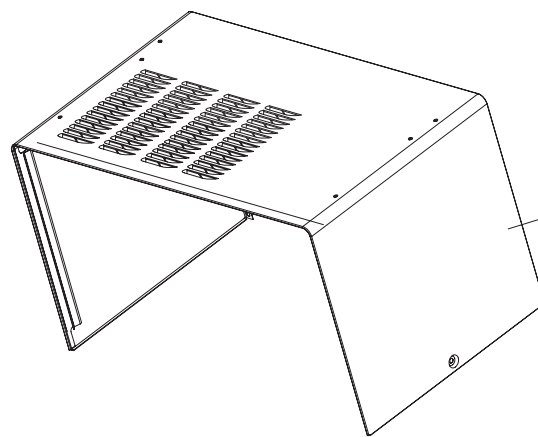
T03



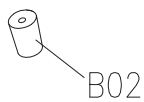
T02



A01



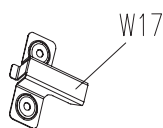
Z24



B02



B02



W17