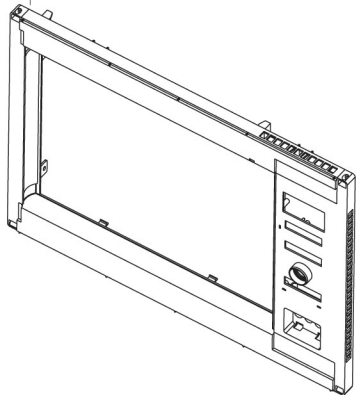


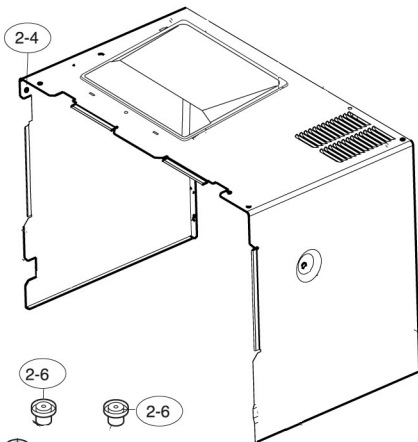
2-8



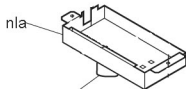
4-5



2-4



nla



2-10 *

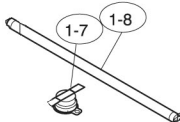
2-6



2-6



2-6



1-7

1-8

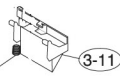
4-17



4-16



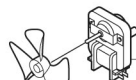
3-12 *



1-6

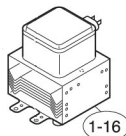


1-14



1-13

4-4



1-16

1-1



1-3



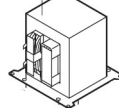
1-4



1-12



1-15



1-2



4-3



1-10



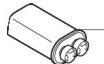
1-11



1-11



1-5



* depends on model