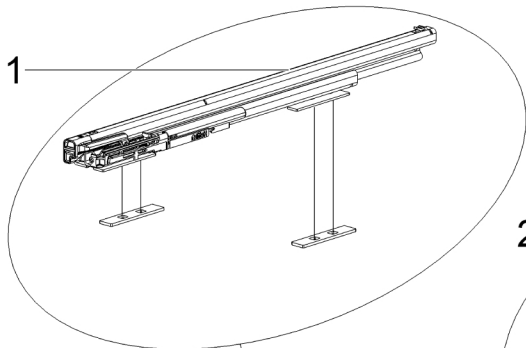
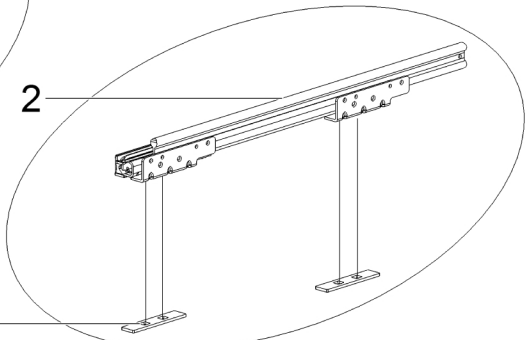


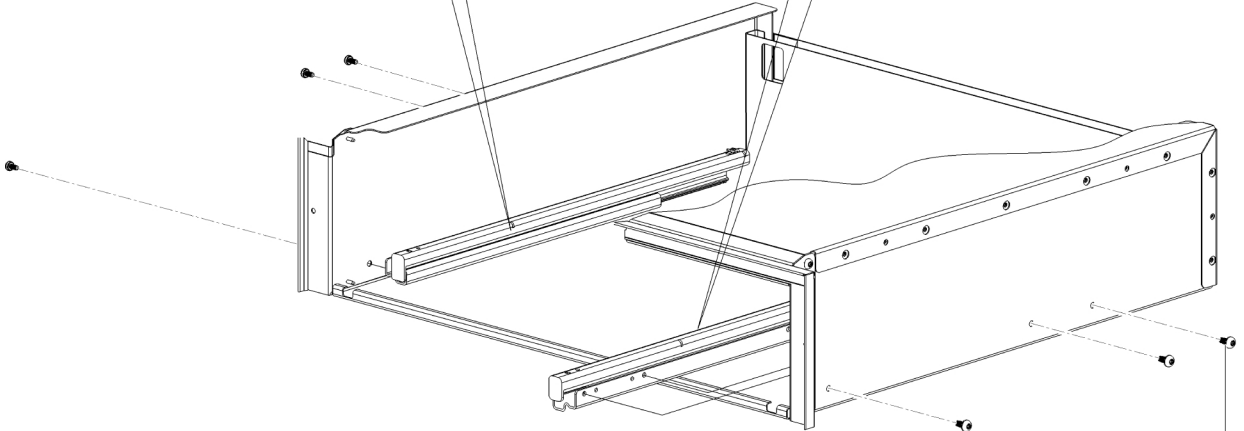
1



2



3  
\*ELC02



4