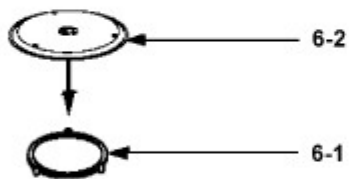
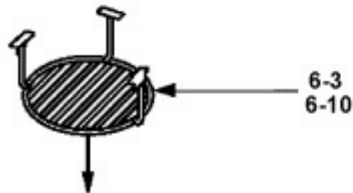


ACCESSORIES



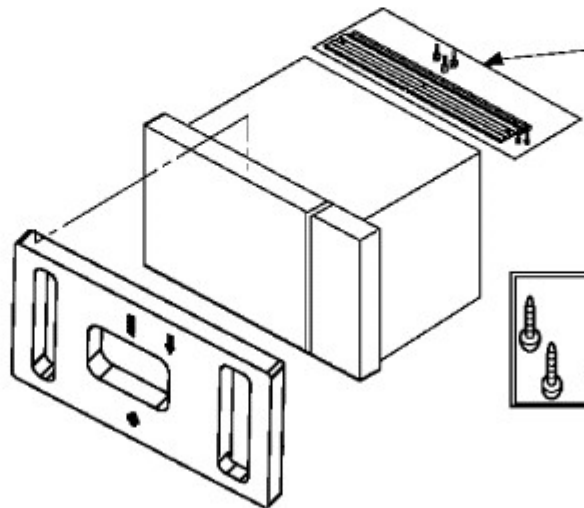
6-2

6-1



6-3

6-10



FIXING BRACKETS & SCREWS		
DESCRIPTION	POS.	Q'TY
WOOD SCREWS	718a	3
BRACKET		1
SCREWS		2



WOOD SCREWS		
DESCRIPTION	POS.	Q'TY
WOOD SCREWS	7-18	4