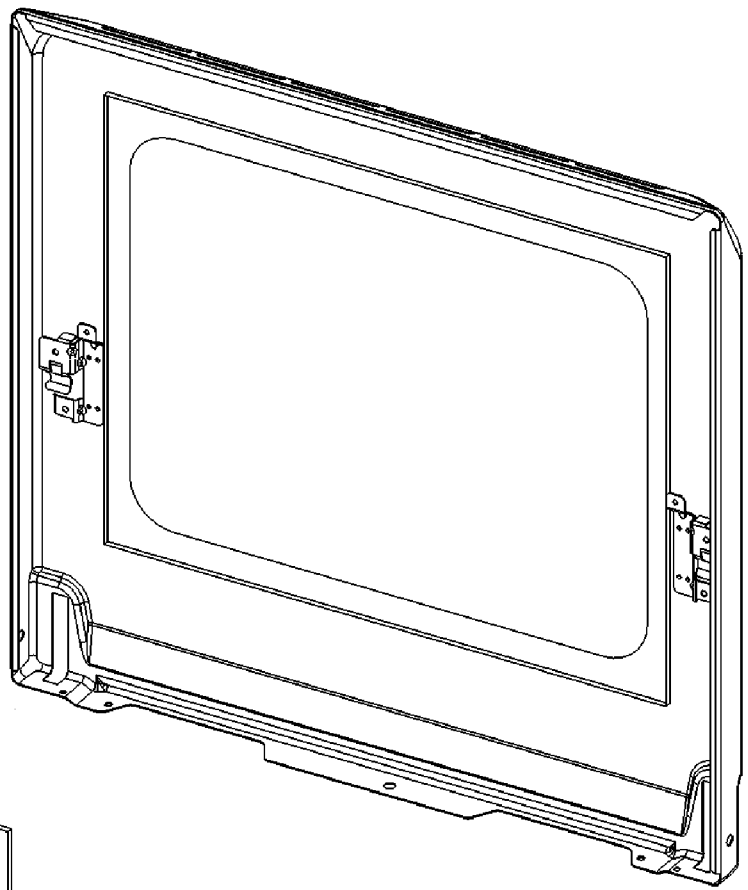
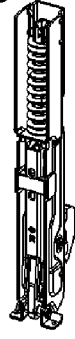


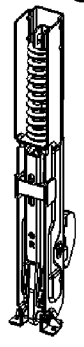
312



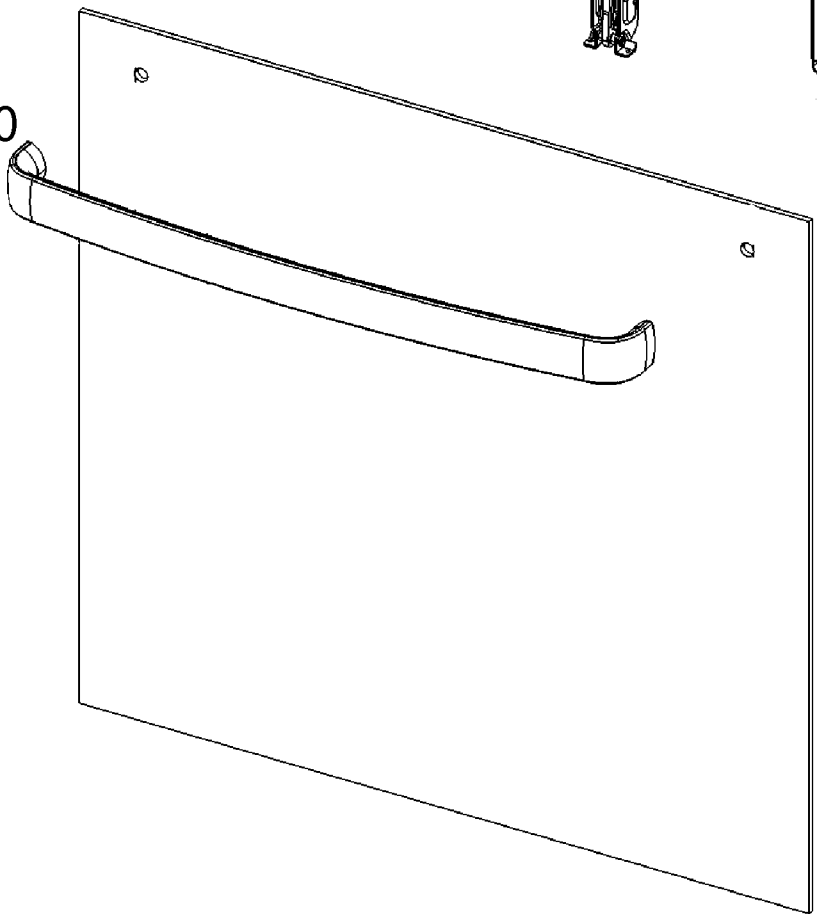
350



350



300



330

P09473064371