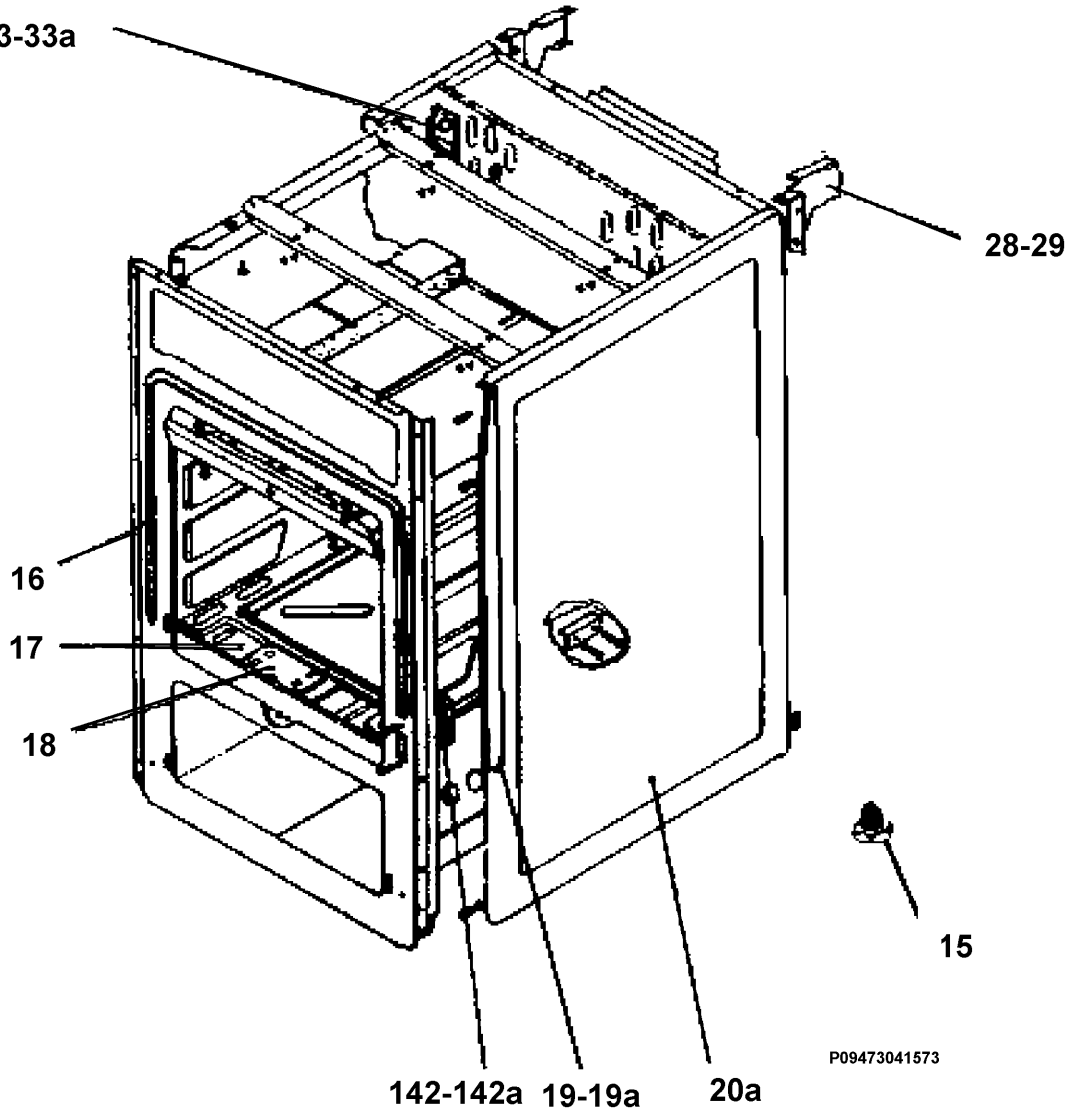


33-33a



P09473041573