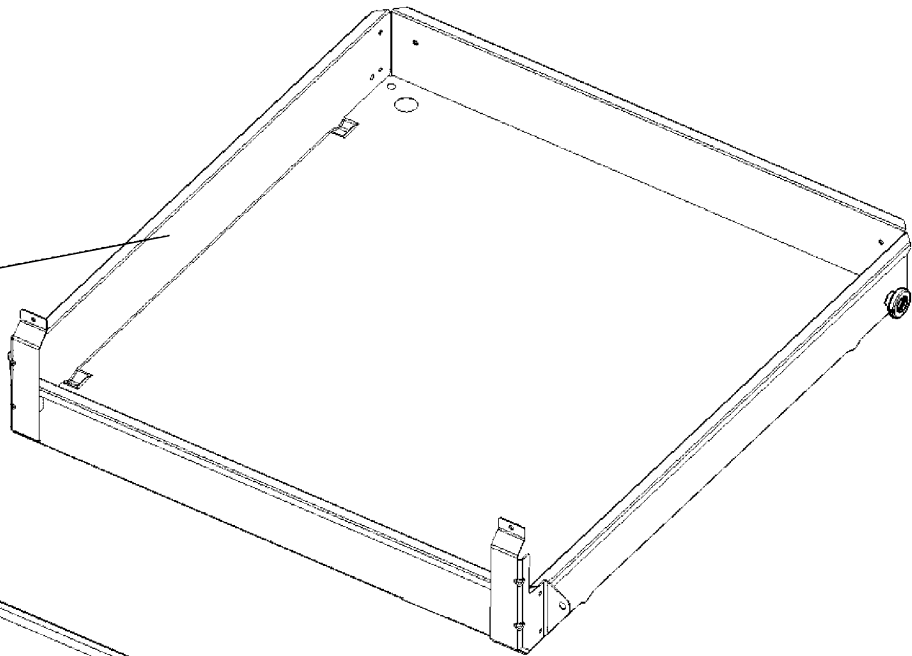
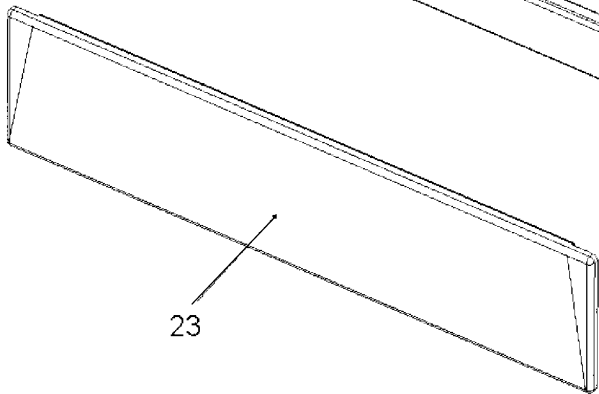


22



23



P09473016507