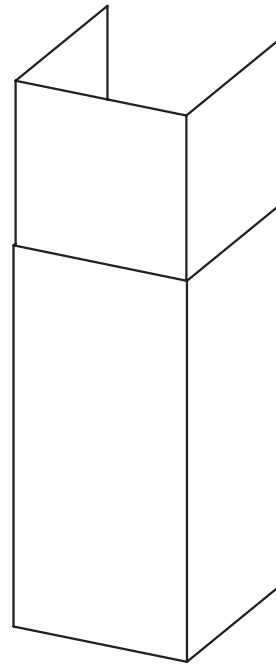


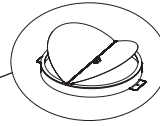
485



202



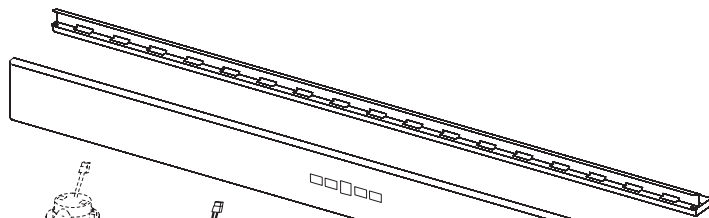
70



37



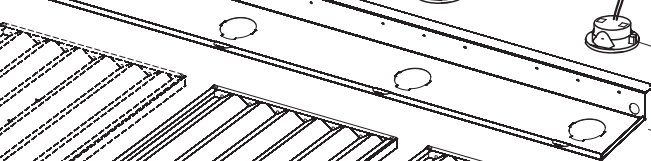
490



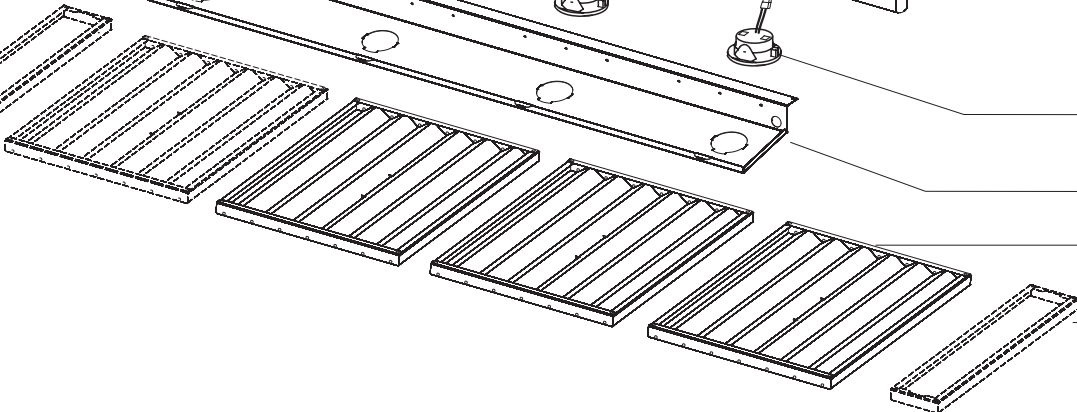
130



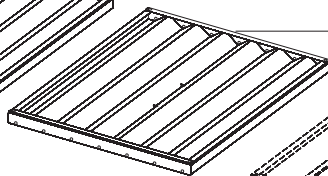
474



17



9



195*

*optional