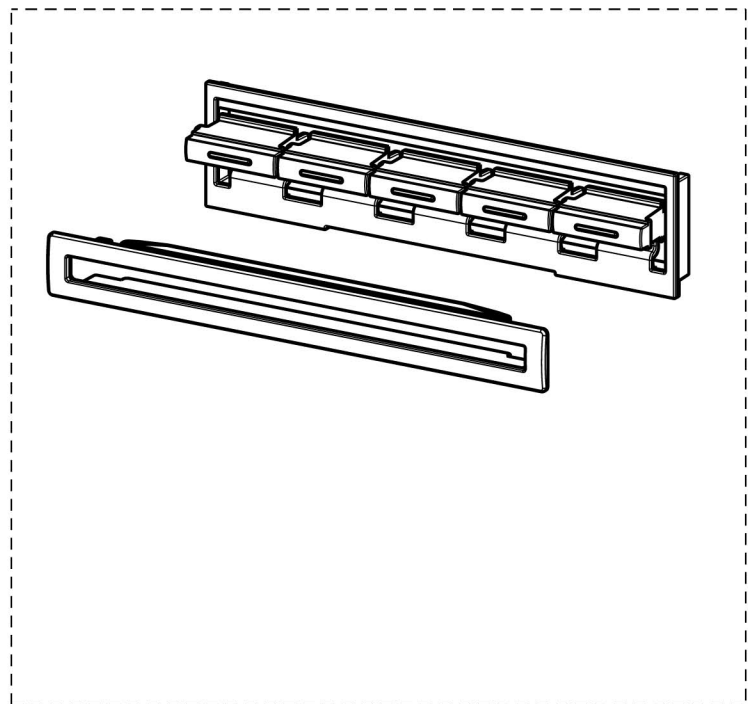
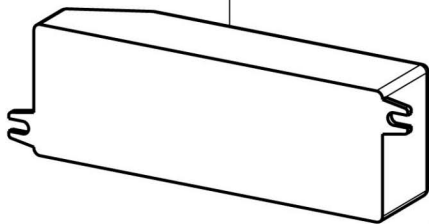
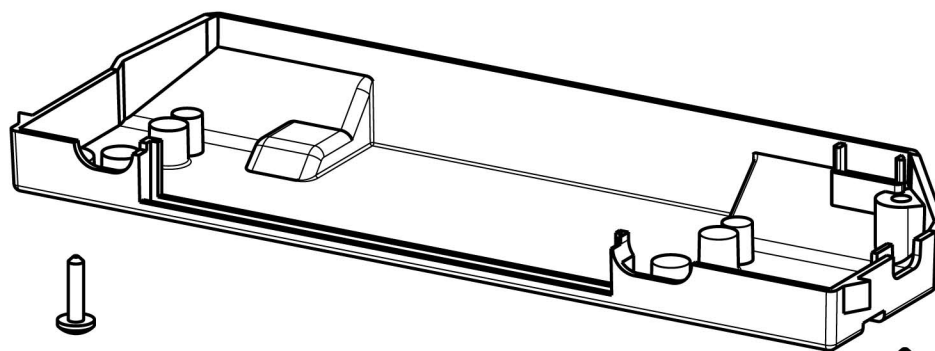
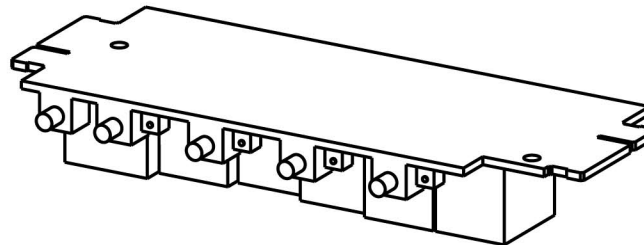
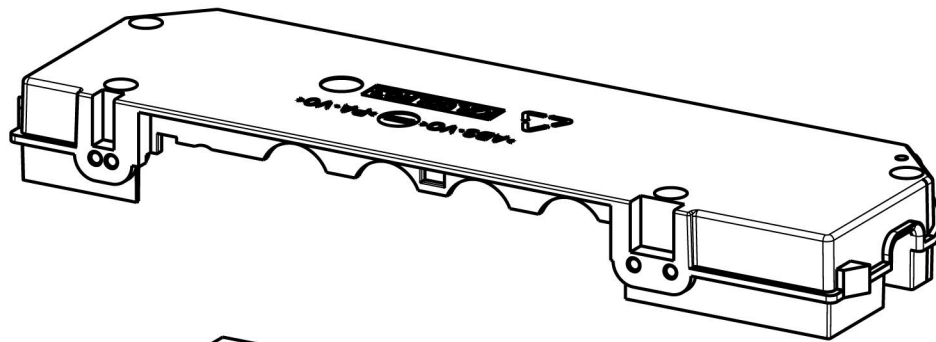


452



101



190

P09423013534