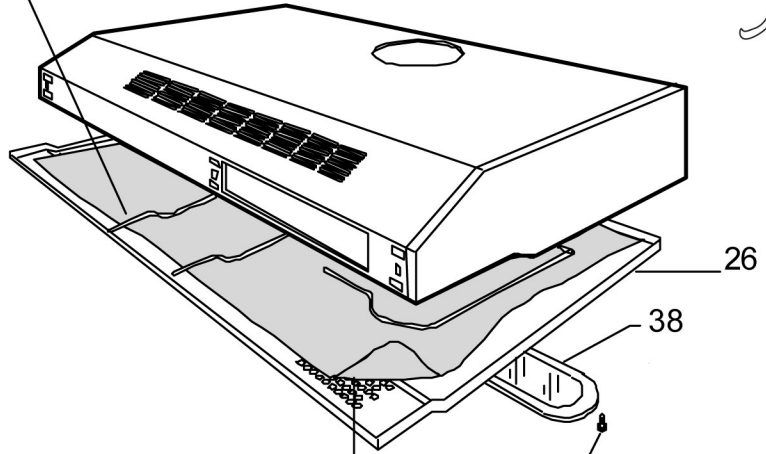
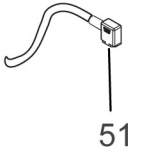
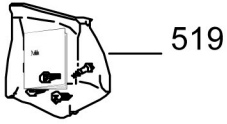
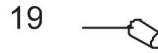
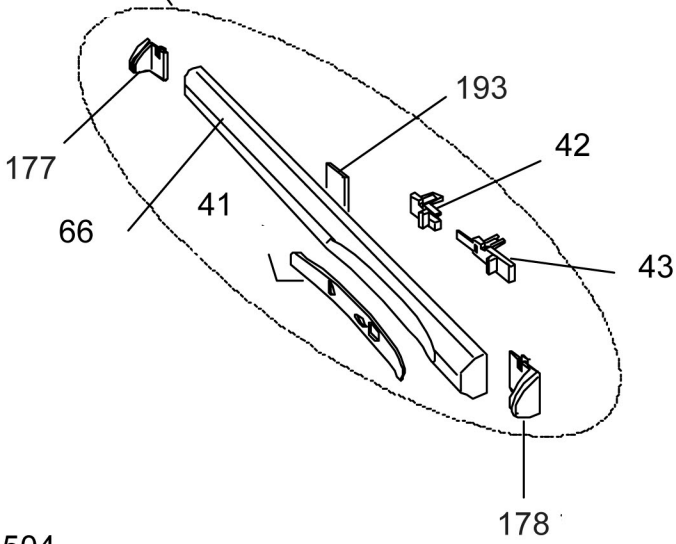


24

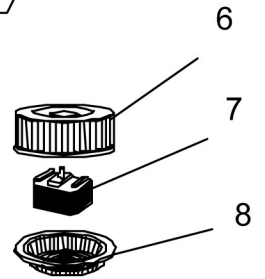
1



122



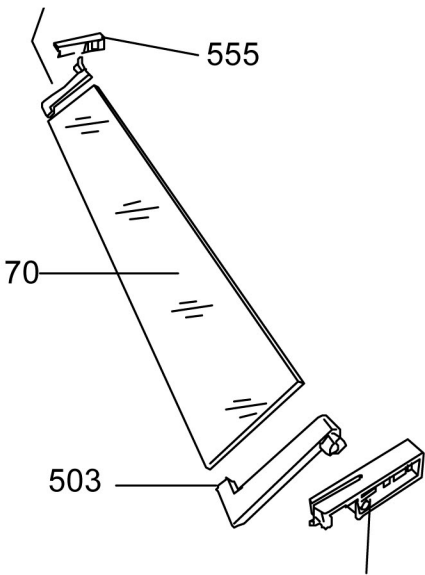
32



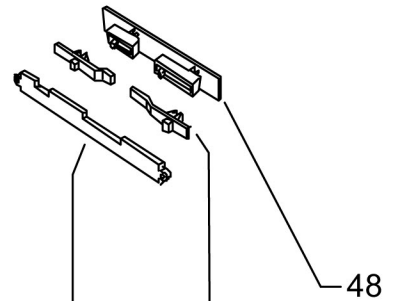
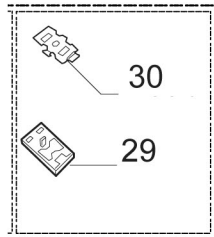
16



504



Grid locks



215

108

554