

6

11

18

20

21

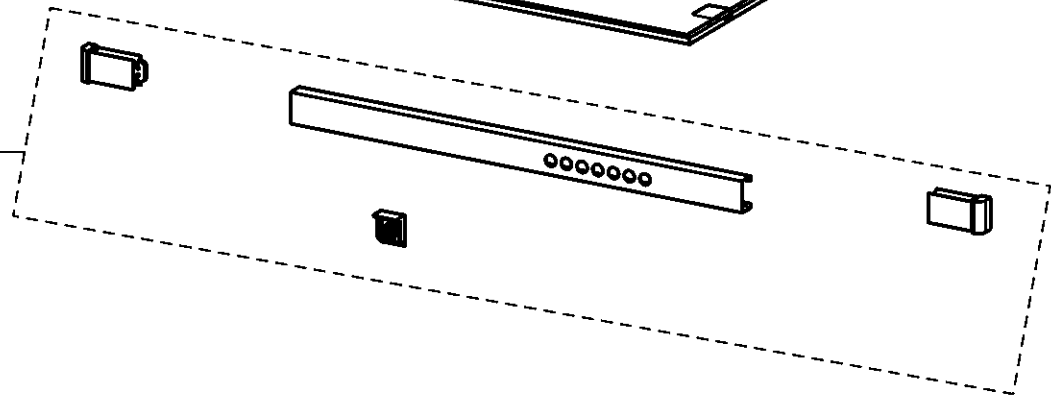
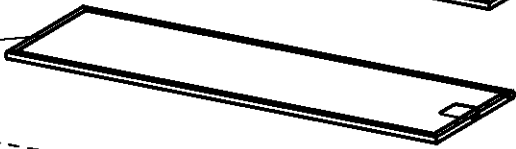
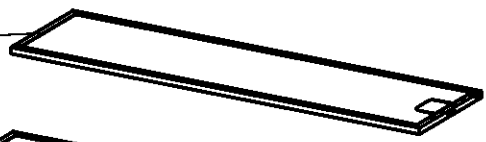
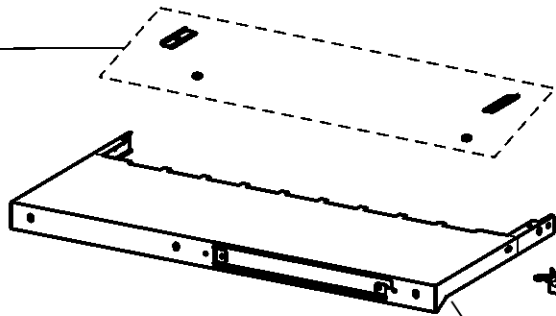
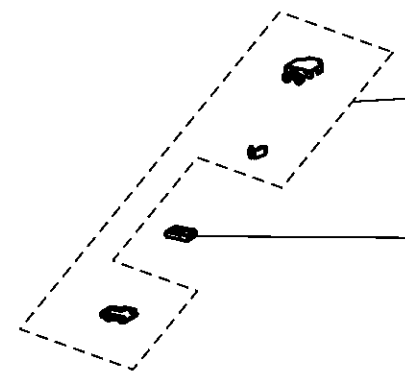
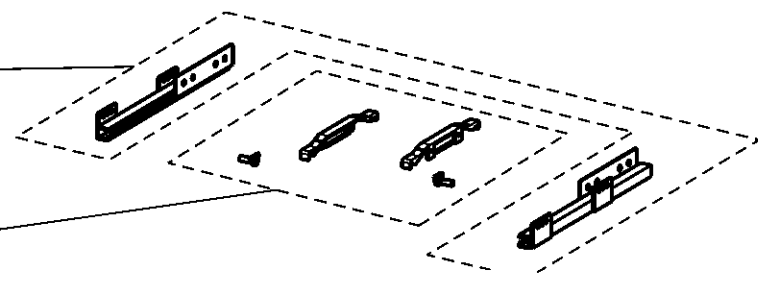
22

10

8

2

3



P09423008662