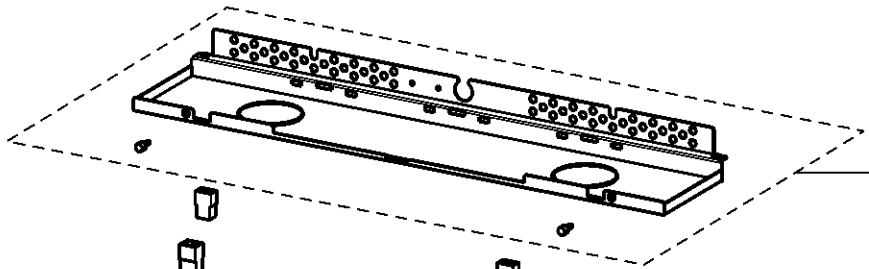
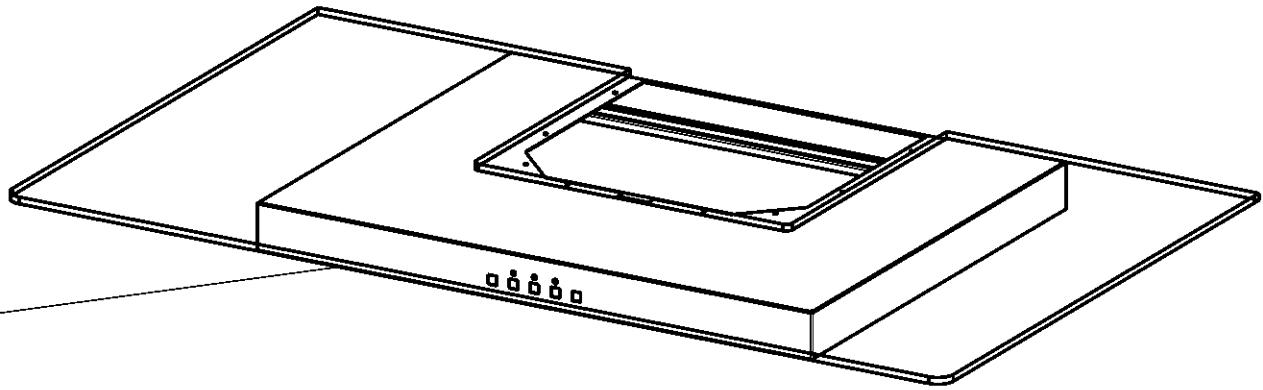
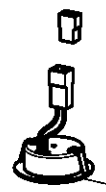


5

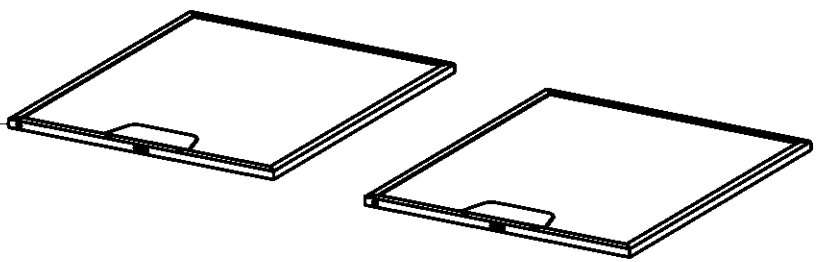


23



27

1



P09423007773