

242

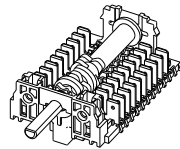
240



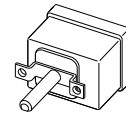
222



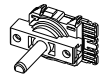
222



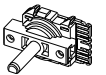
226



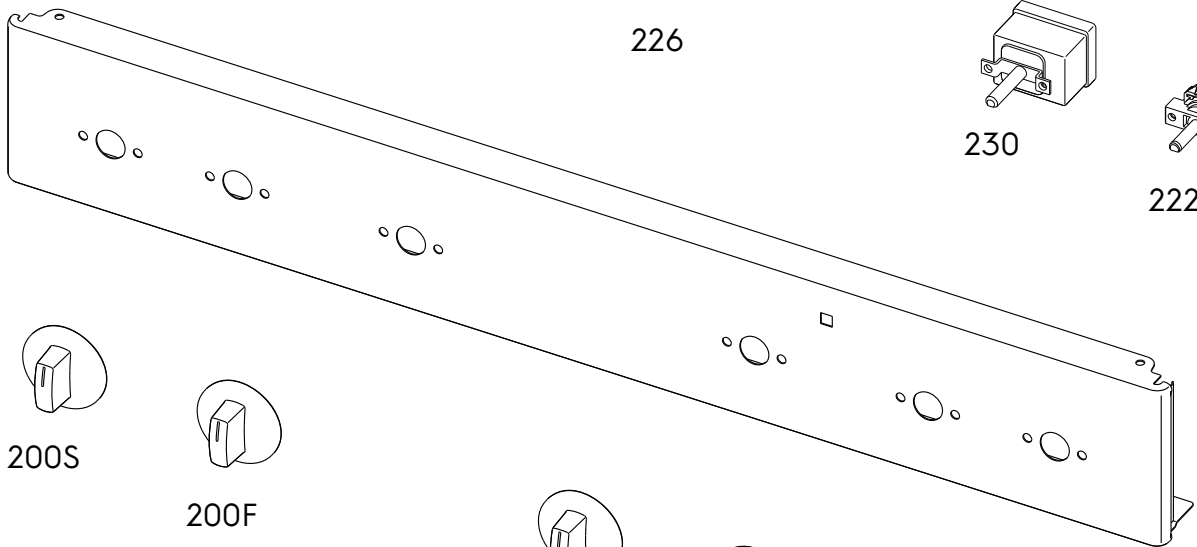
230



222



222



210



200S



200S



200F



200T



200S



200S