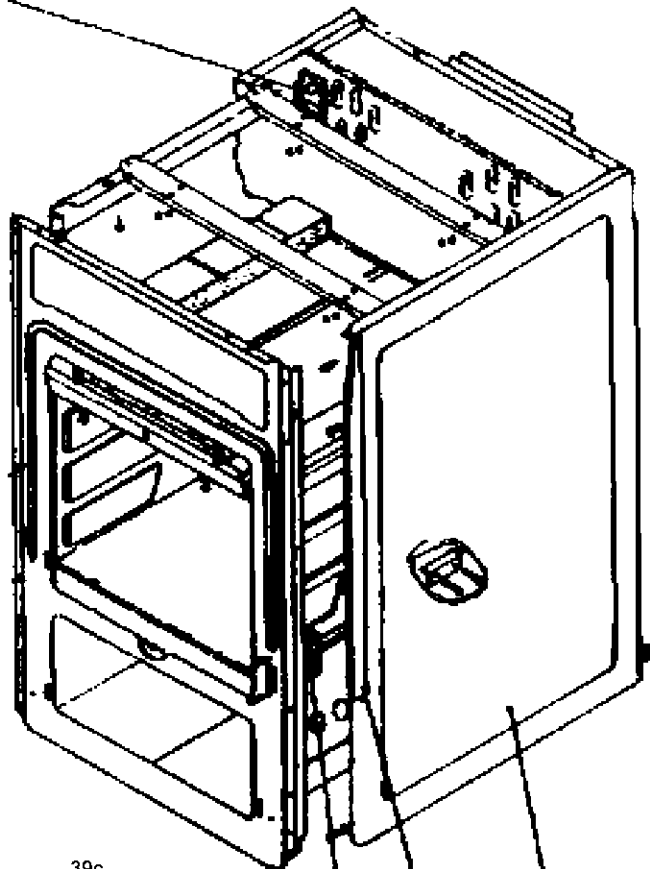


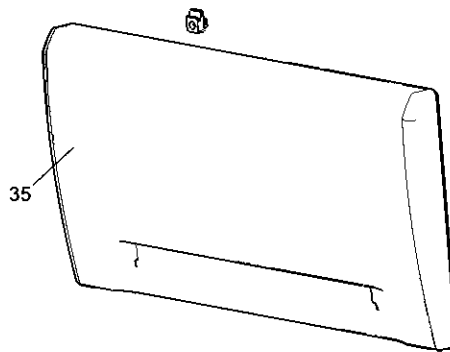
33a



142,142a

19,19a

20



39c



39



39a,39b

P09403004038