



# Electrolux

**ELECTROLUX HOME PRODUCTS PTY LTD**

ABN 51 004 762 341

Technical Publication N° RE1093

Issue: 1  
Date: 06/2020



## *ELECTROLUX*

*"C" SERIES*

*Electronic*

*Bottom Mount*

**MODEL'S:**

**EBE4507SC-R**

**EBE4507SC-L**

**EBE5307SC-L**

**EBE5307SC-R**

**PNC'S:**

**925060817**

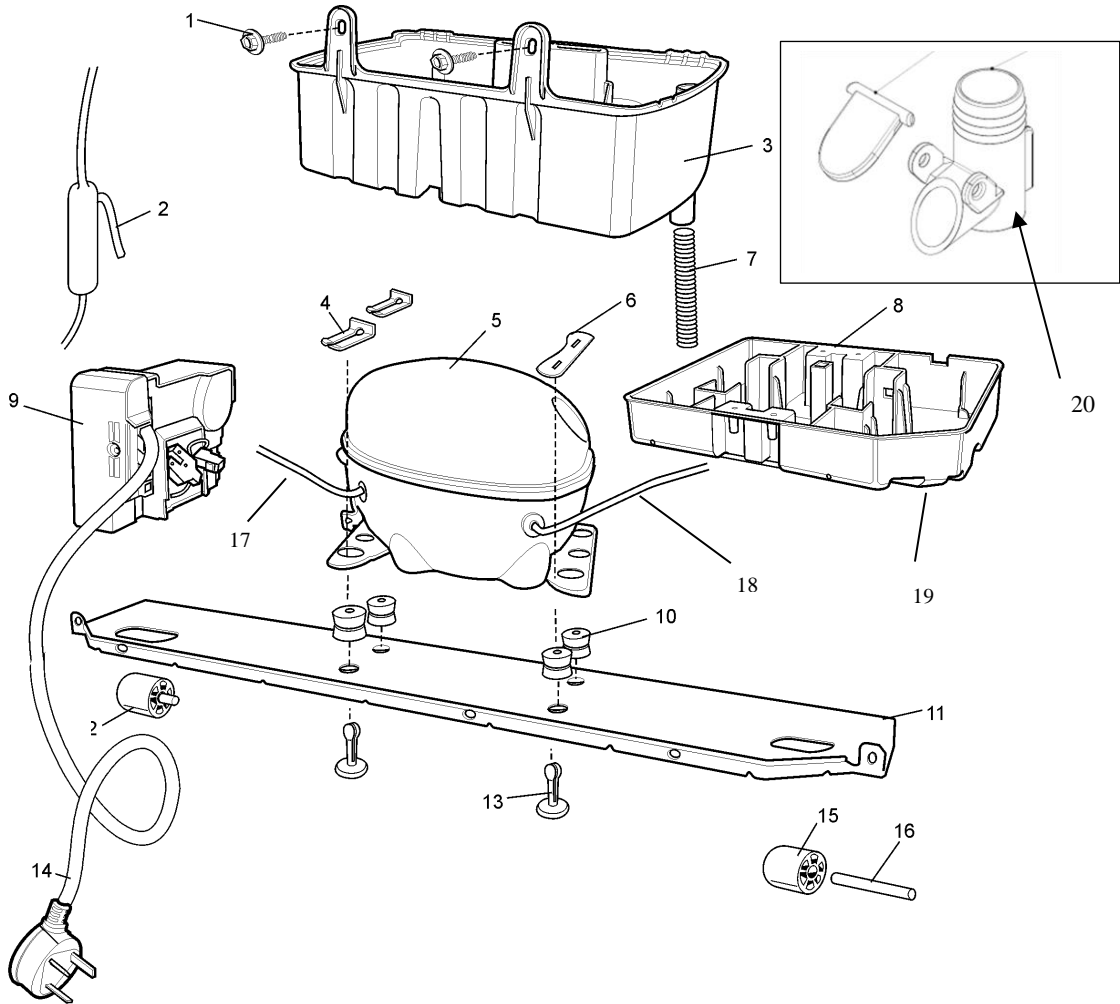
**925060818**

**925060820**

**925060819**

<b>INDEX SECTION</b>	<b>PAGE N°</b>
INDEX AND DOOR KITS	2
MACHINE COMPARTMENT	3
DOOR & COMPONENTS	4-5
FRIDGE INTERIOR	6-7
FREEZER INTERIOR	8-9
FREEZER SYSTEM	10-11
<i>WIRING DIAGRAM</i>	12

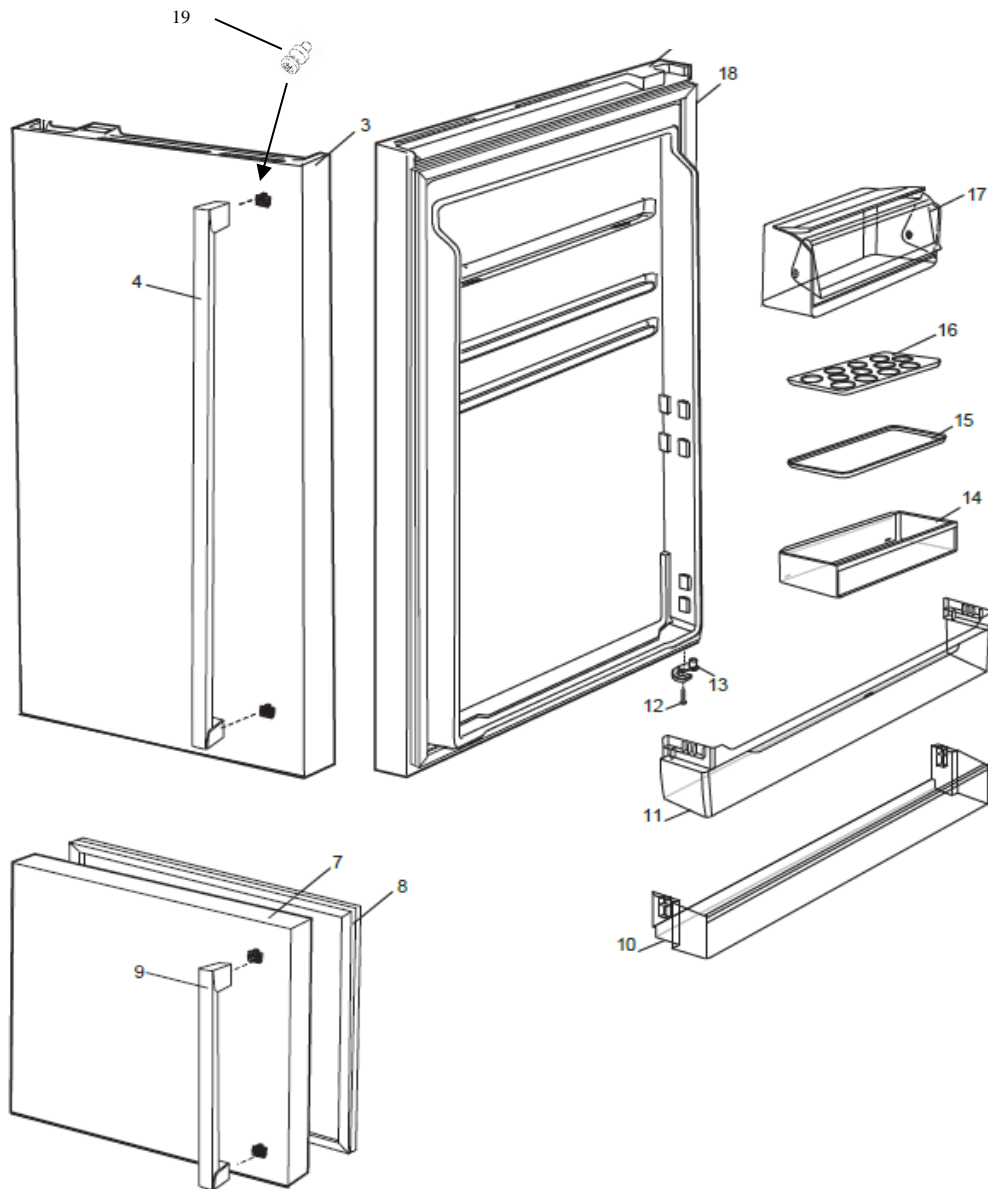
<b>Door kits</b>			
<b>Part N°</b>	<b>Description</b>	<b>MODEL</b>	
A16287068	DOOR SPARE FZR+FC RH	EBE4507SC-R	
A16287067	DOOR SPARE FZR+FC LH	EBE4507SC-L	
A16287072	DOOR SPARE FZR+FC RH	EBE5307SC-R	
A16287071	DOOR SPARE FZR+FC LH	EBE5307SC-L	
<b>ABBREVIATIONS TABLE</b>			
BF	BOTTOM FREEZER	FRZ	FREEZER COMPARTMENT
SD	SINGLE DOOR	RH	RIGHT HAND
TF	TOP FREEZER	LH	LEFT HAND
WH	WESTINGHOUSE	70	400LTR RANGE 70CM WIDE CABINET
FD	FRENCH DOOR	80	500LTR RANGE 80CM WIDE CABINET
KL	KELVINATOR	LWR	LOWER
EL	ELECTROLUX	UPR	UPPER
FC	FRIDGE COMPARTMENT	FR	FRONT
SXS	SIDE BY SIDE FRIDGE FREEZER	I&W	ICE AND WATER
N.P.N.	NO PART NUMBER	ASSY	ASSEMBLY
PCB	PRINTED CIRCUIT BOARD	IDP	INNER DOOR PANEL



ITEM	PART N°	PART DESCRIPTION	EX 8391	QTY
1	807665901	SCREW		2
2	ES5332	DRYER		1
3	A01262501	DRAIN PAN SD		1
4	811980402	CLAMP COMPRESSOR		4
5	A01452401	COMPRESSOR EMBRACO VESD7C		1
6	811998601	CLAMP COMPRESSOR		2
7	A02359903	TUBE CORRUGATE BF		1
8	A01262601	DRAIN PAN DYN CON		1
9	A01452501	PCB INVERTER DRIVE EMBRACO VESD7C		1
10	811978901	MOUNT, COMPRESSOR		4
11	A01135102	BASE PLATE		1
13	N.P.N.	PIN MOUNT COMPRESSOR (PART OF BASE)		4
14	A03593401	POWER CORD INVERTER REF AU/NZ		1
15	811998202	ROLLER FOOT		2
16	811998301	AXLE, ROLLER		2
17	A44544502	TUBE JUMPER H/X 8EMBRACO		1
18	808293601	TUBE PROCESS		1
19	A03633603	HEATER TUBE DRAIN PAN SD		1
20	811976001	VALVE DRAIN ASSY BF		1

MODEL: AII MODELS

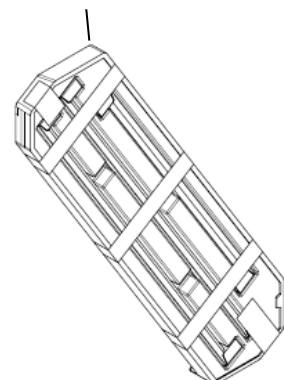
EX. VIEW DRAWING  
DOOR ASSY;



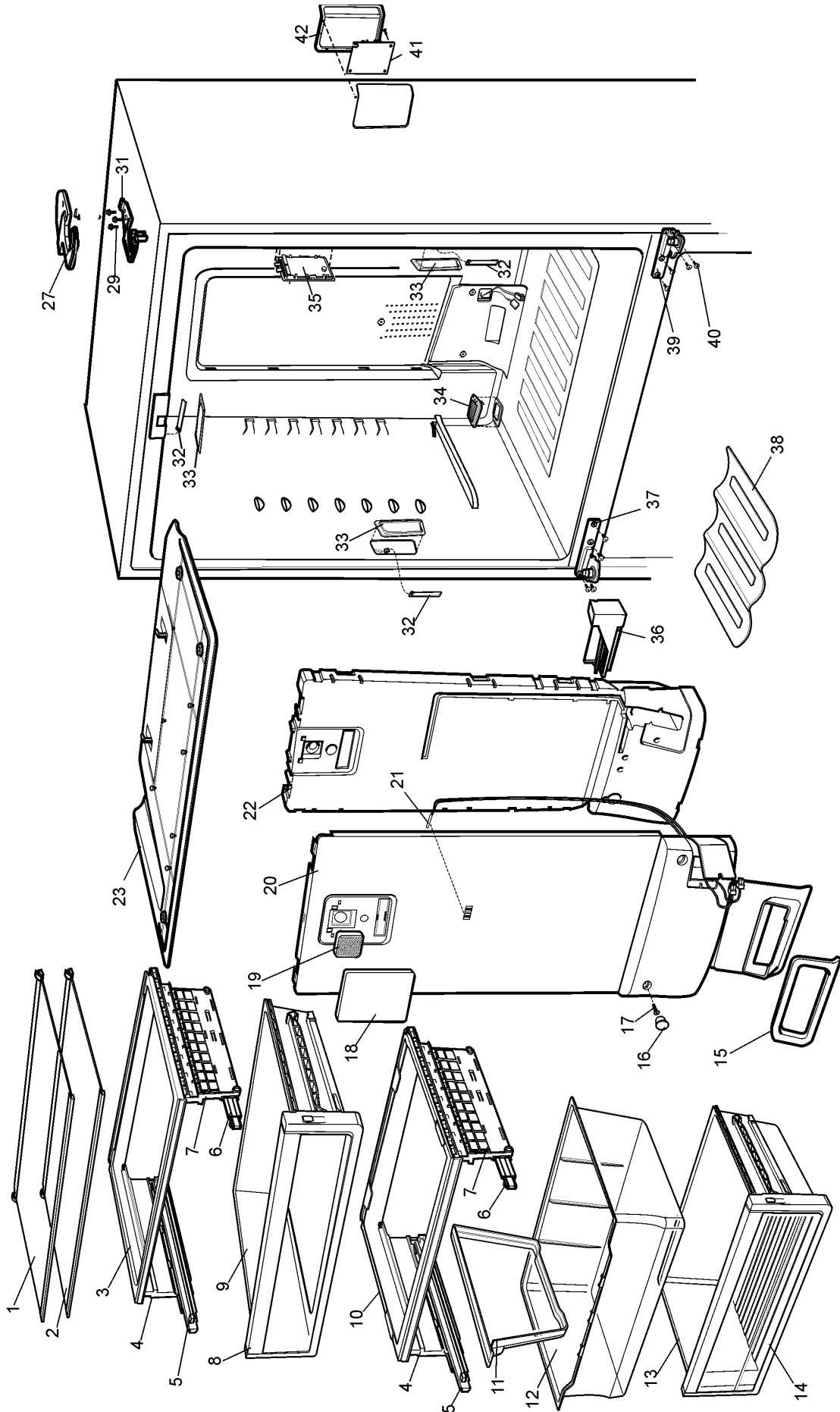
EBE5367SA

8392

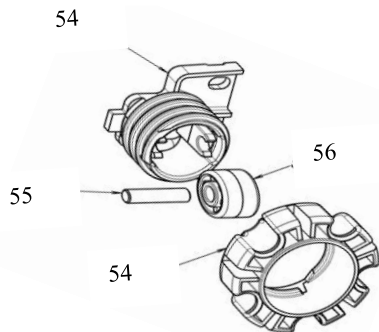
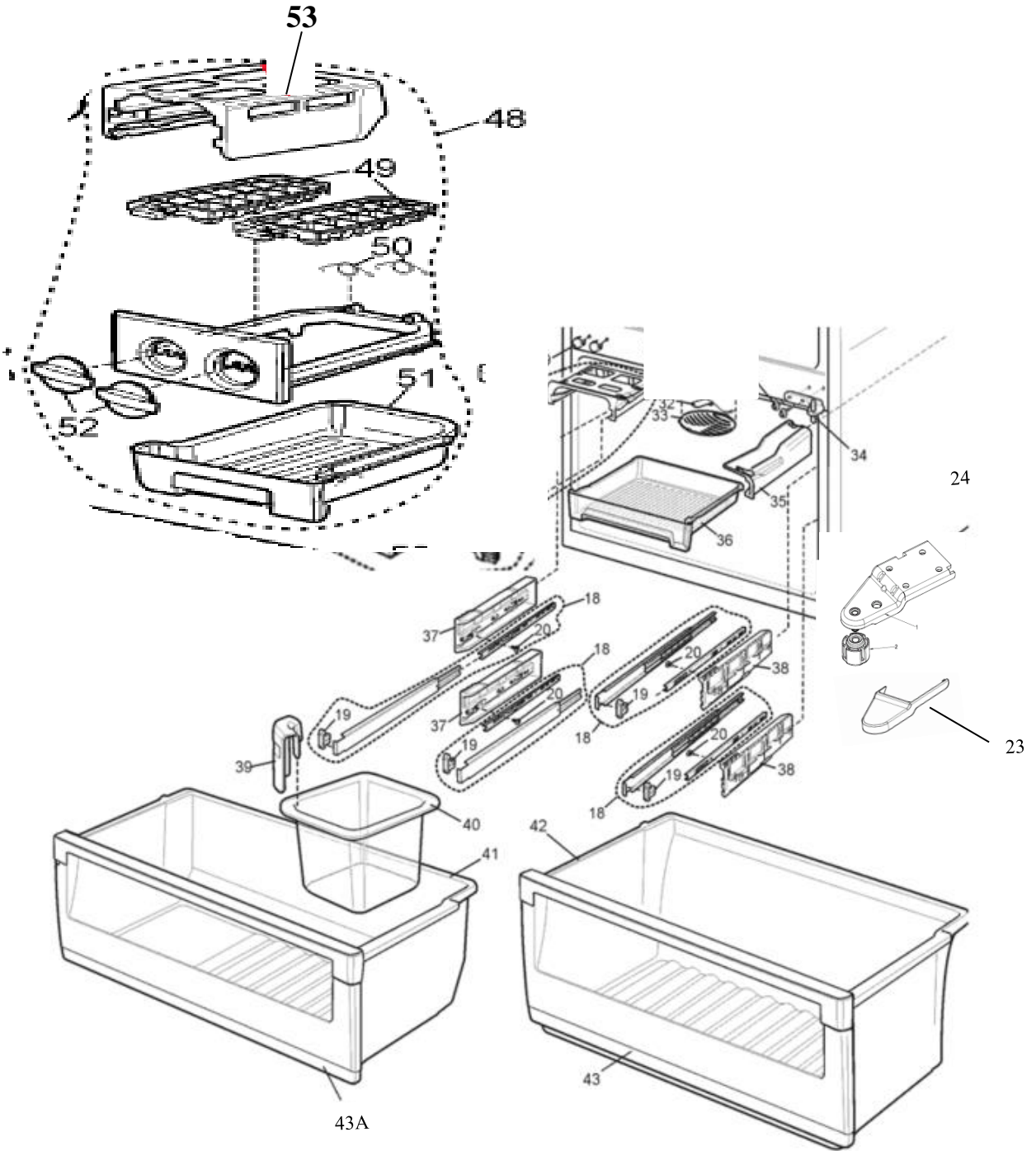
9 & 4 handle kit



ITEM	PART N°	DESCRIPTION	EBE4507SC-L 925060422	EBE4507SC-R 925060421	EBE5307SC-L 925060424	EBE5307SC-R 925060423
3	PAGE 2	DOOR KIT FC + FRZ (See Door Kits page 2 )	1	1	1	1
4	A12734802	HANDLE ASSY ELUX KIT INC. ITEM 9	1	1	1	1
7	PAGE 2	DOOR KIT FC + FRZ (See Door Kits page 2 )	1	1	1	1
8	811988545	GASKET FRZ BF80			1	1
	811988544	GASKET FRZ BF70	1	1		
9	A12734802	HANDLE ASSY ELUX KIT INC. ITEM 4	1	1	1	1
10	A00805305	BIN DOOR FC BOTTLE 80 EL			1	1
	A00805304	BIN DOOR FC BOTTLE 70 2-HOTFOI	1	1		
11	A00804709	BIN DOOR FC SHALLOW 80 EL			1	1
	A00804708	BIN DOOR FC SHALLOW 70 EL	1	1		
12	808337901	SCREW	2	2	2	2
13	A01046502	BEARING AUTO CLOSER RH SL	2	2	2	2
14	A00804206	BIN DOOR FLEX 1/2 TF70W	3	3		
	A00804207	BIN DOOR FLEX 1/2 TF80W			3	3
15	A02870101	MAT DOOR BIN FLEX 1/2 TF70	x	x		
	A02870501	MAT DOOR BIN FLEX 1/2 TF80			x	x
16	A00807801	TRAY EGG 70W	1	1		
	A00807802	TRAY EGG 80W			1	1
17	A02551601	BIN DAIRY COMPLETE (INCLUDES LIDS )	1	1		
	A00803202	BIN DAIRY UPPER LID (Sub Part of 17)	1	1		
	A00802903	BIN DAIRY BODY (Sub Part of 17)	1	1		
	A00803002	BIN DAIRY LOWER LID (Sub Part of 17)	1	1		
	A02551602	BIN DAIRY COMPLETE (INCLUDES LIDS )			1	1
	A00805902	BIN DAIRY UPPER LID (Sub Part of 17)			1	1
	A00805703	BIN DAIRY BODY (Sub Part of 17)			1	1
	A00805801	BIN DAIRY LOWER LID (Sub Part of 17)			1	1
18	811988547	GASKET FC BF80			1	1
	811988546	GASKET FC BF70	1	1		
19	A04818901	SCREW MOUNTING HANDLE	4	4	4	4
20	A12735102	PEDESTAL FC/FZ TOP	2	2	2	2
21	A12735202	PEDESTAL FC/FZ BOTTOM	2	2	2	2
NI	A07129802	BADGE ELECTROLUX	1	1	1	1
NI	A02870301	MAT DOOR BIN BOTTLE TF70 (aftermarket only)	x	x		
	A02870701	MAT DOOR BIN BOTTLE TF80 (aftermarket only)			x	x



ITEM	PART N°	DESCRIPTION	EX8387	EBE4507SC-L 925060422	EBE4507SC-R 925060421	EBE5307SC-L 925060424	EBE5307SC-R 925060423
1	A00822402	SHELF FC TF80 EAU ASSY (Inc Item 2)				2	2
	A00822401	SHELF FC TF70 EAU ASSY (Inc Item 2)		2	2		
2	A00821802	TRIM SHELF FRONT TF80				2	2
	A03171801	TRIM SHELF FRONT TF70		2	2		
3	A01937104	COVER DELI ASSY BF80 (Inc Items 4, 5, 6 & 7)				1	1
	A01937103	COVER DELI ASSY BF70 (Inc Items 4, 5, 6 & 7)		1	1		
4	A01941403	CRISPER SUPPORT LH		2	2	2	2
5	A01054407	EXTENSION SLIDE ASSY LH 300MM		2	2	2	2
6	A01054408	EXTENSION SLIDE ASSY RH 300MM		2	2	2	2
7	A01941404	CRISPER SUPPORT RH		2	2	2	2
8	A02383905	DRAWER DELI FRONT 80 EAU ASSY				1	1
	A02383904	DRAWER DELI FRONT 70 EAU ASSY		1	1		
9	A02979702	DRAWER DELI BODY ASSY 80				1	1
	A02979701	DRAWER DELI BODY 70 ASSY		1	1		
10	A04270002	COVER CRISPER ASSY BF80 WH (Inc Items 4, 5, 6 & 7)				1	1
	A01937114	COVER CRISPER ASSY BF70 WH (Inc Items 4, 5, 6 & 7)		1	1		
11	Not used	DIVIDER CRISPER		X	X	X	X
12	Not used	CRISPER INNER LINER		X	X	X	X
	A04270801	INSERT DRAWER CRISPER BF70 EAU		1	1		
13	A01937214	CRISPER BODY BF80				1	1
	A00793502	CRISPER BODY BF70		1	1		
14	A13016902	CRISPER FRONT PANEL ASSY				1	1
	A13016901	CRISPER FRONT BF70 ELUX ASSY		1	1		
15	811909103	SEAL FOAM BOTTOM MF PINOT BF-N		1	1	1	1
16	A00906801	COVER SCREW MULTIFLOW LH		1	1	1	1
	A00906802	COVER SCREW MULTIFLOW RH		1	1	1	1
17	811949503	SCREW MULTI FLOW		2	2	2	2
18	A00685609	COVER DEO BAFFLE SILVER-ART		1	1	1	1
19	807305302	DEODORIZER BLOCK THIN		1	1	1	1
20	A00748901	MULTIFLOW ASSY BF EAU		1	1	1	1
21	A01043506	SENSOR HARNESS MULTIFLOW		1	1	1	1
22	A00790801	DUCT INSULATION FOAM		1	1	1	1
23	A06378102	COVER ROOF BF/MD ASSY		1	1	1	1
27	A00828001	COVER TOP HINGE RIGHT GR			1		1
	A00828101	COVER TOP HINGE LEFT GR		1		1	
29	811949401	SCREW TRILOB M5X16		3	3	3	3
31	A00354401	HINGE TOP RIGHT			1		1
	A00354402	HINGE TOP LEFT		1		1	
32	242196207	PCB 3 LEDS CLUSTER		1	1	1	1
33	242202701	LENS 3 LEDS CLUSTER		1	1	1	1
34	A00896401	COVER GRID AIR RETURN BF		1	1	1	1
35	A04066802	DISPLAY UI STD ELUX INTL ASSY		1	1	1	1
36	811549301	BAFFLE MOTOR FBZA-1750-3D		1	1	1	1
38	A01774802	BOTTLE RACK 80 ( not as illustrated )				1	1
	A01774801	BOTTLE RACK 70 ( not as illustrated )		1	1		
39	A01819901	HINGE BASE RIGHT ASSY		1	1	1	1
40	807826801	SCREW CENTRE HINGE		2	2	2	2
41	A01028825	PCBA_P_ERF2003 8W FCT		1	1	1	1
42	A01277301	COVER REAR PCB		1	1	1	1
NI	A13016601	HOLDER MEMBRANE AHC ASSY (CRISPER HUMIDITY CONTROL)		1	1	1	1
NI	A13016401	MEMBRANE TYVEK (CRISPER HUMIDITY CONTROL)		1	1	1	1
N.I.	A13198502	CRISPER GASKET 80 BLUE				1	1
N.I.	A13198501	CRISPER GASKET 70 BLUE		1	1		
N.I.	811971601	COVER SCREW top hinge		1	1	1	1



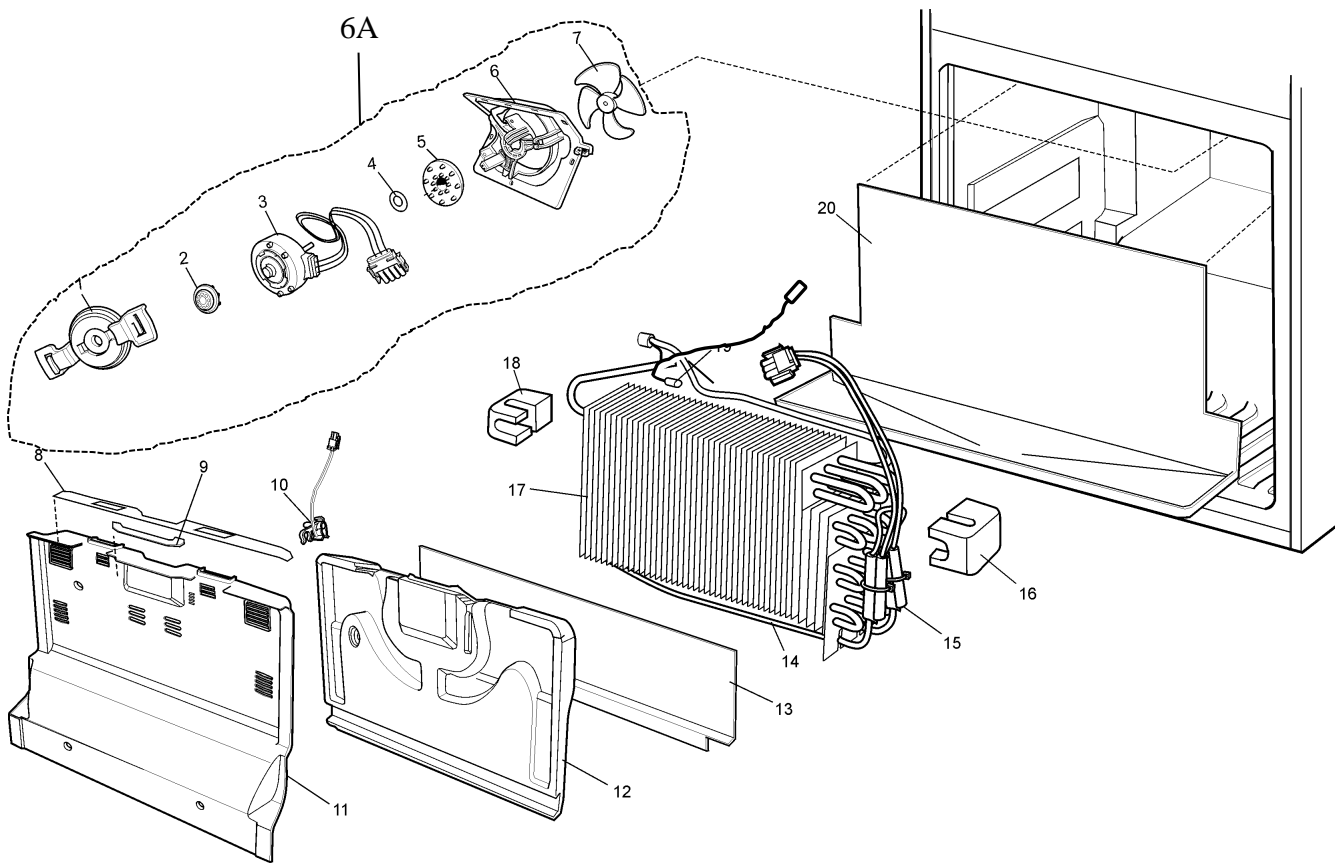


ITEM	PART N°	DESCRIPTION	EBE4507SC	EBE5307SC
18	A01054401	EXTENSION SLIDE ASSY LH 300MM	3	3
	A01054402	EXTENSION SLIDE ASSY RH 300MM	3	3
19	Part of 18	RUBBER BUMPER UNION (PART OF 18)	X	X
20	Part of 18	SCREW, #8 X 7.5 TYP- (PART OF 18)	X	X
23	A01817903	COVER FOOT LEFT HINGE GREY	1	1
	A01817904	COVER FOOT RIGHT HINGE GREY	1	1
24	A01819901	HINGE BASE BOTTOM RH ASSY	1	1
	A01819902	HINGE BASE LEFT ASSY	1	1
29	A01604802	CAP, SCREW (GREY SYD 1212-A)	2	2
34	A01604503	HINGE, CENTRE	1	1
NI	A01604801	CENTRE HINGE PIN SWING DOOR	1	1
35	A02154401	SUPPORT PASTRY SLIDE RH	1	1
	A01959701	SUPPORT PASTRY SLIDE LH	1	1
36	A02796406	DRAWER FRZ PASTRY ASSY 80		1
	A02796403	DRAWER FZR PASTRY ASSY 70	1	
37	A01381501	FZR EXT SLIDE INSERT LH	2	2
38	A01381502	FZR EXT SLIDE INSERT RH	2	2
39	1451633	ICE SCOOP	1	1
40	A00957201	ICE BIN AIM BF ELUX	1	1
41	*A00354102	DRAWER MIDDLE BODY BF80		1
	*A00354101	DRAWER MIDDLE BODY BF70	1	
42	#A01051802	DRAWER LOWER BODY BF80		1
	#A01051801	DRAWER LOWER BODY BF70	1	
43	#A02793504	DRAWER FZR FR LWR ASY 80 ELUX		1
	#A02793501	DRAWER FZR FR LWR ASY 70 ELUX	1	
43A	A02793510	DRAWER FZR FR MID ASY 80 EAU		1
	A02793509	DRAWER FZR FR MID ASY 70 E100	1	
48	811956701	T&S ASSY WHITE	1	1
49	243262600	T&S ICE CUBE TRAY	1	1
50	1451543	SPRING TWIST&SERVE	1	1
51	811956601	BIN ICE PACIFIC CLEAR	1	1
52	243262903	KNOB ICE T&S WHITE	2	2
53	A01959301	ICE MAKER BRACKET	1	1
54	A01819101	FOOT BASE THREAD	2	2
55	A01808801	SHAFT AXIS ROLLER	2	2
56	A01819201	ROLLER FOOT	2	2
NOTE: #Items 42 & 43 are available as an assembly EBE5307SA = A02796404 & EBE4507SA = A02796401				

MODEL EBE5307SC  
EBE4507SC

EX. VIEW DRAWING

FREEZER ASSY;



ITEM	PART N°	DESCRIPTION	EBE4507SC	EBE5307SC
1	A02113401	BRACKET SHROUD FAN	1	1
2	1446048	GROMMET, FAN MOUNTING	1	1
3	809069203	MOTOR FAN PANASONIC DC 3W	1	1
4	1451297	WASHER SLINGER NYLON	1	1
5	A02113401	GROMMET, FAN MOUNTING	1	1
6	811975001	SHROUD FAN BF	1	1
6A	811975403	SHROUD FAN ASSY. COMPLETE ASSY	1	1
7	811699602	BLADE FAN	1	1
8	224014003	SEAL (PART OF 11)	X	X
9	224014004	SEAL (PART OF 11)	X	X
10	811980402	CLAMP NTC EVAPORATOR	1	1
11	A00906902	EVAPORATOR COVER ASSY BF80 (Inc Items 12 & 13)		1
	A00906901	EVAPORATOR COVER ASSY BF70 (Inc Items 12 & 13)	1	
12	A00897602	INSULATION EPS		1
	N.P.N.	INSULATION EPS	1	
13	A04318602	SEAL FOAM EPDM BF		1
	N.P.N.	SEAL FOAM EPDM BF	1	
14	A01058203	HEATER DEFROST ASSY R600 BF80W		1
	A01058204	HEATER RAD DEF R600 240V BF70W	1	
15	N.P.N.	THERMAL FUSE (PART OF HEATER ASSY)	1	1
16	A03637801	SPACER 3 TURN HEATER	1	1
17	A04063202	EVAPORATOR FF BF80		1
	A04063201	EVAPORATOR FF BF70	1	
18	A03637801	SPACER 3 TURN HEATER	1	1
19	A05206101	SENSOR & HARNESS FZR DEFROST	1	1
20	A01098301	TRAY EVAP DRAIN BM/SD 80W		1
	A01097401	TRAY EVAP DRAIN BM/SD 70W	1	
NI	811909402	MASTIC (SUNDRY)	1	1
NI	A02249601	SUPPORT EVAPORATOR BF	2	2



# Electrolux

Release Date:  
JUNE 2020

