

Electrolux

ELECTROLUX HOME PRODUCTS PTY LTD

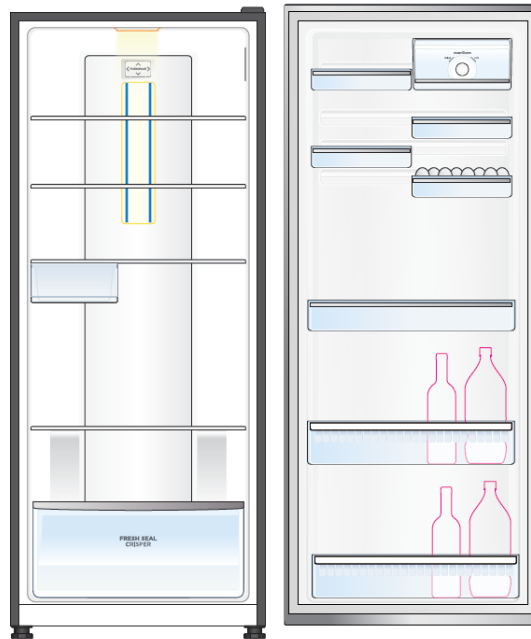
ABN 51 004 762 341

Technical Publication N° RE1102

Issue: 1

Date: 09/2021

PARTS & VIEWS *Westinghouse* ***“B” Series*** ***Basic Electronic – All Fridge***



MODEL

PNC

WRB5004SC-L

92506087402

WRB5004SC-R

92506087302

WRB5004WC-L

92506087202

WRB5004WC-R

92506087102

MAINTENANCE LEVEL CHANGE SUMMARY

ML	Description	Product Release Date
00	First release	07/2020

MODEL NUMBER IDENTIFICATION

BRAND		TYPE		CONTROL		CAPACITY A		CAPACITY B (Refer Note 4)		FEATURE		DESIGN FEATURE		COLOUR		SERIES		DIVIDER	HAND		PLUG TYPE (COUNTRY)	
CODE	BRAND	CODE	BUILD	CODE	BUILD	CODE	CAPACITY	CODE	CAPACITY	CODE	FEATURE	CODE	FEATURE	CODE	COLOUR	CODE	SERIES		CODE	HAND	CODE	PLUG TYPE
A	AEG	B	BOTTOM FREEZER	E	DISPLAY ELECTRONIC	0	0-99 LITRES	0	= 0 LITRES	0	PLAIN	0	PLAIN	A	ARCTIC STEEL (SPB015)	A	NEW MODEL RANGE	R	RIGHT HAND	A	AUSTRALIAN STANDARD	
C	CHEF	C	CHEST FREEZER	H	ELECTRO MECHANICAL (MANUAL)	1	100-199 LITRES	1	= 10 LITRE	1	EXCLUSIVE MODEL POLAR HANDLE + INTERNAL UI	1	BUILT IN/INTEGRATED	M	SLATE SILVER (SPB016)	B	FIRST SERIES CHANGE	L	LEFT HAND	B	BRITISH 3 PIN SQUARE	
D	SISIL	F	UPRIGHT FREEZER	S	STANDARD ELECTRONIC	2	200-299 LITRES	2	= 20 LITRE	2	ICE MAKER ONLY	2	POCKET HANDLE	S	STAINLESS STEEL	C	SECOND SERIES CHANGE	X	NO HAND/REVERSIBLE	E	EUROPEAN 2 PIN	
E	ELECTROLUX	H	FRENCH DOOR	B	BASIC ELECTRONIC	3	300-399 LITRES	3	= 30 LITRE	3	BAR ONLY	3	3 DOOR/VARIABLE TEMPERATURE COMPARTMENT	W	WHITE	D	ETC	D	DRAWER	S	SOUTH AFRICAN	
F	FRIGIDAIR	R	ALL REFRIGERATOR			4	400-499 LITRES	4	= 40 LITRE	4	WATER DISPENSER ONLY	4	POLAR HANDLE	P	PACIFIC SILVER	E	ETC	N	SxS, NON HANDED	R	BRITISH 3 PIN ROUND	
G	FRIGIDAIR GALLERY	S	SIDE X SIDE			5	500-599 LITRES	5	= 50 LITRE	5	LOCK	5	FLAT GLASS DOOR/ WINE COOLER	D	DYNAMIC SILVER	X	EXPORT ASIAN S/STEEL	C	DRWNR FULLY CONVERTIBLE (INTO DRAWER FUNCTIONALITY)	T	THAI BLACK PLUG	
H	WHITE WESTINGHOUSE	T	TOP FREEZER			6	600-699 LITRES	6	= 60 LITRE	6	ICE MAKER ONLY WITH WATER DISPENSER	6	CURVED GLASS DOOR	C	CHAMPAGNE	W	EXPORT ASIAN WHITE	V	DRWNR VARIABLE (INTO DRAWER FUNCTIONALITY)	SA	SAUDI ARABIA 220V 60HZ	
I	ELECTROLUX ICOM	P	PANTRY			7	700-799 LITRES	7	= 70 LITRE	7	ICE & WATER DISPENSER	7	CLAD/E-LINE (FLAT)	V	VCM 443	Z	R600B TRIALS	F	DRWNR FREEZER (INTO DRAWER FUNCTIONALITY)	PH	PHILIPPINES 220V 60HZ	
K	ARTHUR MARTIN	D	QUATRO SxS			8	800-899 LITRES	8	= 80 LITRE	8	ICE & WATER & BAR	8	ASSIST HANDLE	B	BLACK/ERONY					IL	ISRAEL	
P	PHILCO	M	MULTI DOOR			9	900+ LITRES	9	= 90 LITRE	9	ICE & WATER DISPENSER & INTERNET CONNECTIVITY	9	BUILT IN/INTEGRATED (FLAT)	X	BLACK STAINLESS					MY	MALAYSIA/SINGAPORE	
R	ARTHUR MARTIN	W	WINE COOLER											G	GOLD					ID	INDONESIA	
S	SIMPSON	I	INTERNAL ICE BOX																	VN	VIETNAM	
U	REX ELECTROLUX																			TH	THAILAND	
W	WESTINGHOUSE																			AU	AUSTRALIANZ	
Z	ZANUSSI																			EU	EUROPE	
M	HIBART																			CN	CHINA	
																				SG	SINGAPORE	
																				JP	JAPAN	
																				IN	INDIA	
																				ZA	SOUTH AFRICA	
																				CL	CHILE	
																				AR	ARGENTINA	
																				MX	MEXICO	
																				BR	BRAZIL 220V	
																				BZ	BRAZIL 127V	
																				NA	NORTH AMERICA	
																				PU	PARAGUAY, URUGUAY, BOLIVIA	
																				CA	CANADA, CARIBBEAN 220V	
																				CC	CANADA, CARIBBEAN 127V	
																				AE	GCC GROUP	
																				SK	SOUTH KOREA	

NOTE: THIS LETTER ONLY FOR EXPORT DOMESTIC PRODUCT IS BLANK

CONTENTS

MAINTENANCE LEVEL CHANGE SUMMARY2

MODEL NUMBER IDENTIFICATION.....2

DOOR PANELS – Quick Guide3

EXPLODED VIEWS & PARTS LISTS.....4

MODEL: WRB5004WC-L& R, WRB5004SC-L & R4

 DOOR ASSEMBLY4

MODEL: WRB5004WC-L& R, WRB5004SC-L & R6

 CABINET ASSEMBLY.....6

MODEL: WRB5004WC-L& R, WRB5004SC-L & R8

 EVAPORATOR & DUCT ASSEMBLIES8

MODEL: WRB5004WC-L& R, WRB5004SC-L & R10

 COMPRESSOR COMPARTMENT.....10

DIAGRAMS.....12

 WIRING DIAGRAM12

DOOR PANELS – Quick Guide

PART No.	DESCRIPTION	MODEL	PNC
A16287080	DOOR SPARE FC	WRB5004SC-R	925060873
A16287081	DOOR SPARE FC	WRB5004WC-R	925060871
A16287057	DOOR SPARE FC	WRB5004SC-L	925060874
A16287058	DOOR SPARE FC	WRB5004WC-L	925060872
ACC197	REVERSAL KIT		1

NOTE: In Parts Listings

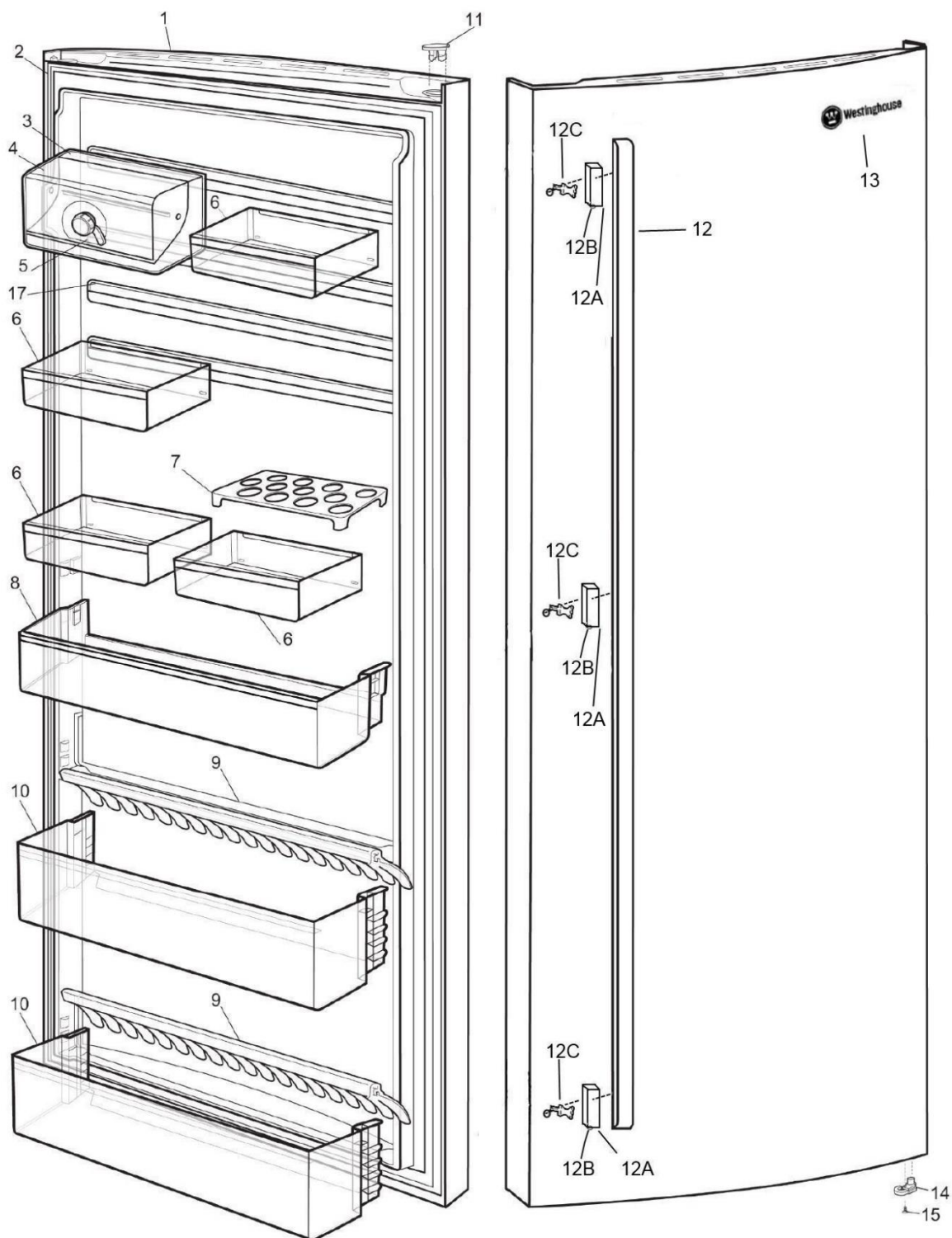
N.I. = Not Illustrated
N.P.A. = No Part Available
N.P.N. = Not Used on this Model

EXPLODED VIEWS & PARTS LISTS

MODEL: WRB5004WB-L & R, WRB5004SB-L & R

DOOR ASSEMBLY

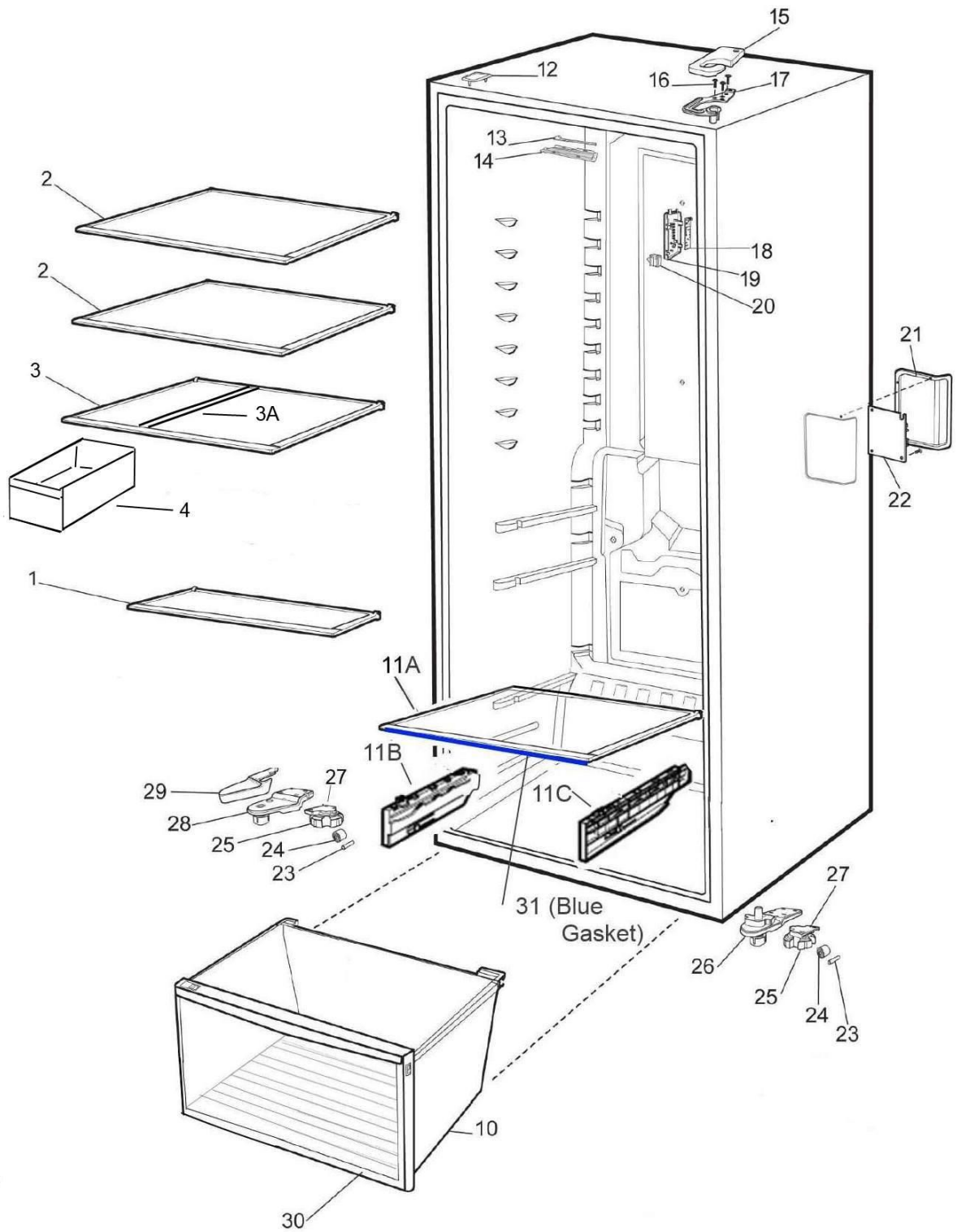
Ex 8401M



ITEM No.	PART No.	DESCRIPTION	Ex 8401M	SC	WC
1	See page 3	DOOR PANEL WRB5004SA		1	
	See page 3	DOOR PANELWRB5004WA			1
2	811988551	GASKET SD 70		1	1
3	A00803602	BIN DAIRY BODY LOCKABLE		1	1
4	A00803704	BIN DAIRY LID LOCKABLE		1	1
5	A00803102	BIN DAIRY COMPLETE ASSY		1	1
6	A00804302	BIN DOOR FLE 1/2 TF70W/ EL		4	4
7	A00807801	TRAY EGG 70W		1	1
8	A00804802	BIN DOOR FC SHALLOW 70 EL		1	1
9	A00805601	BIN DOOR FINGER TF70W WH		2	2
10	A00805402	BIN DOOR FC BOTTLE TF70W EL		2	2
11	A01069002	BEARING TOP		1	1
12	A15656905	HANDLE BODY SD WH SS		1	1
12A	A13428303	HANDLE PEDESTAL PACKED WH SS		1	1
12B	(Part of 12A)	GRUB SCREW		3	3
12C	A04818901	SCREW MOUNTING HANDLE MD36		3	3
13	1458193	BADGE WESTINGHOUSE		1	1
14	A01046502	BEARING AUTO CLOSER R TF SL		1	
14	A01046501	BEARING AUTO CLOSER R TF WHT			1
15	808337901	SCREW DOOR CLOSER		1	1
17	811986810	RAIL DOOR SUPPORT 70W WHT		4	4
N.I.	ACC197	REVERSAL KIT		1	1

MODEL: WRB5004WB-L & R, WRB5004SB-L & R
CABINET ASSEMBLY

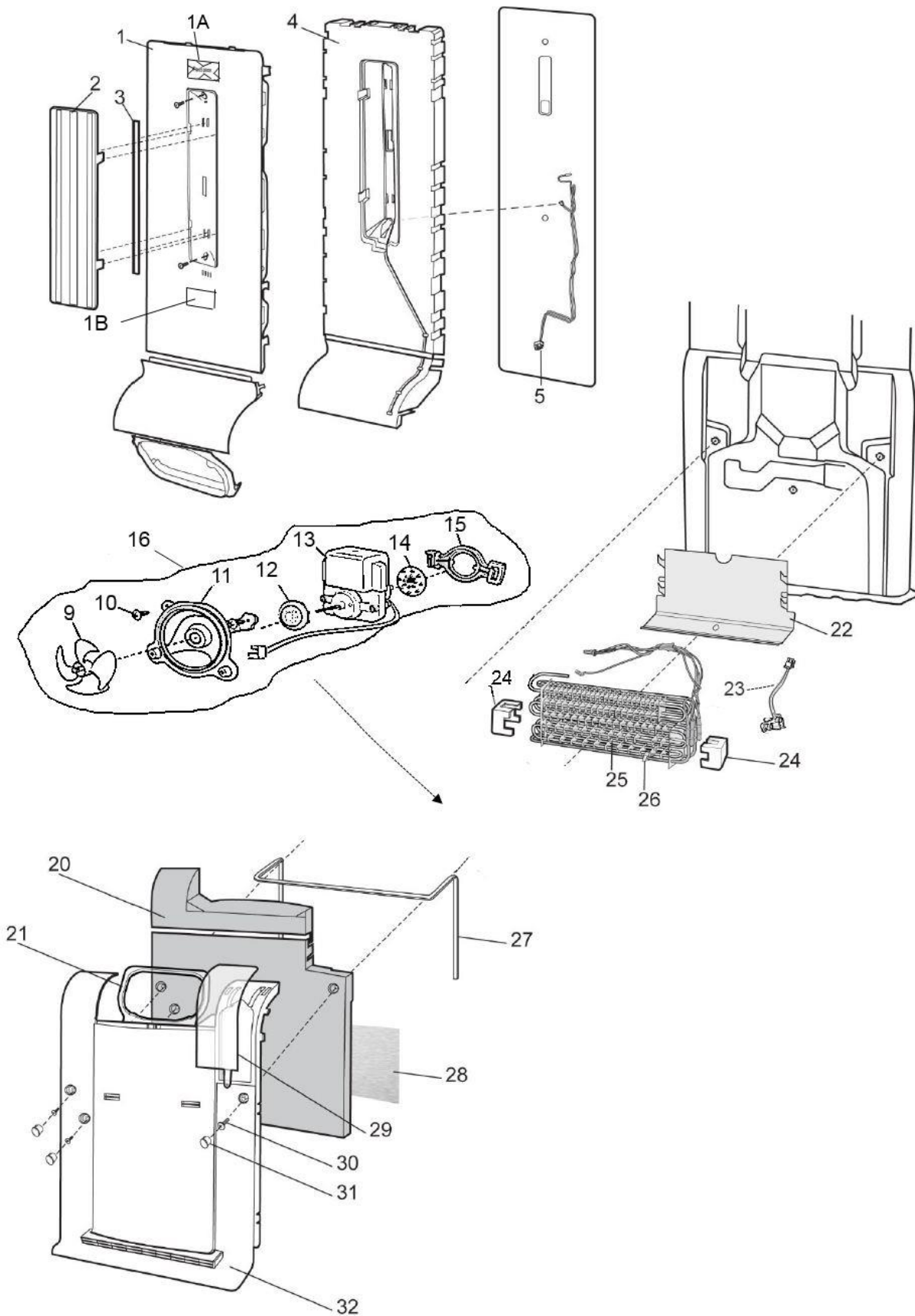
Ex 8403M



ITEM No.	PART No.	DESCRIPTION	Ex 8403M	SC	WC
1	A02677001	SHELF FC SD SHORT		1	1
2	A00821603	SHELF FC STANDARD		2	2
3	A00822501	SHELF FC TF70W WH DELI ASSY		1	1
4	A01890201	DRAWER DELI FC HALF WH ASSY		1	1
10	A00825302	DRAWER CRISPER BODY TF70 AOF		1	1
11A	A02677301	COVER CRISPER SD70W WH ASSY		1	1
11B	A01475404	CRISPER BRACKET LH		1	1
11C	A01475403	CRISPER BRACKET RH		1	1
12	811996401	COVER TOP CABINET GREY		1	
	811996402	COVER TOP CABINET WH WHT			1
13	242196209	PCBA 3 LEDS CLUSTER GALAGA		1	1
14	A08828001	LENS 3 LEDS CLUSTER GALAGA		1	1
15	A00828001	COVER TOP HINGE RIGHT GR		1	
	A00828102	COVER TOP HINGE LEFT WHT			1
16	811949401	SCREW TRILOB M516		3	3
17	A00354401	HINGE TOP RIGHT		1	1
18	A00985302	PCBA_UI 1ZONE INTL WHT LED		1	1
19	A02003302	DISPLAY UI 1ZONE INTL WHT LED		1	1
20	811943601	SWITCH DOOR		1	1
21	A01277301	HOUSING REAR PCB COVER		1	1
N.I.	A01278702	HOUSING REAR PCB ADAPTER		1	1
22	A01028503	PCBA_P_ERF1600 FCT		1	1
23	A01808801	SHAFT ROLLER FRONT		2	2
24	A01819201	ROLLER FOOT		2	2
25	A01819302	FOOT LEVER		2	2
26	A01819905	HINGE BASE RIGHT ASSY		1	1
27	A01819101	FOOT BASE THREAD		2	2
28	A01829601	FOOT LEFT ASSY		1	1
29	A01817909	COVER FOOT LEFT HINGE DG		1	
	A01817907	COVER FOOT LEFT HINGE WHITE			1
30	A00825008	DRAWER CRISP FR TF70 FLAT-ART		1	1
31	A02644401	CRISPER GASKET 70 (BLUE)		1	1

MODEL: WRB5004WB-L& R, WRB5004SB-L & R
EVAPORATOR & DUCT ASSEMBLIES

Ex 8413M

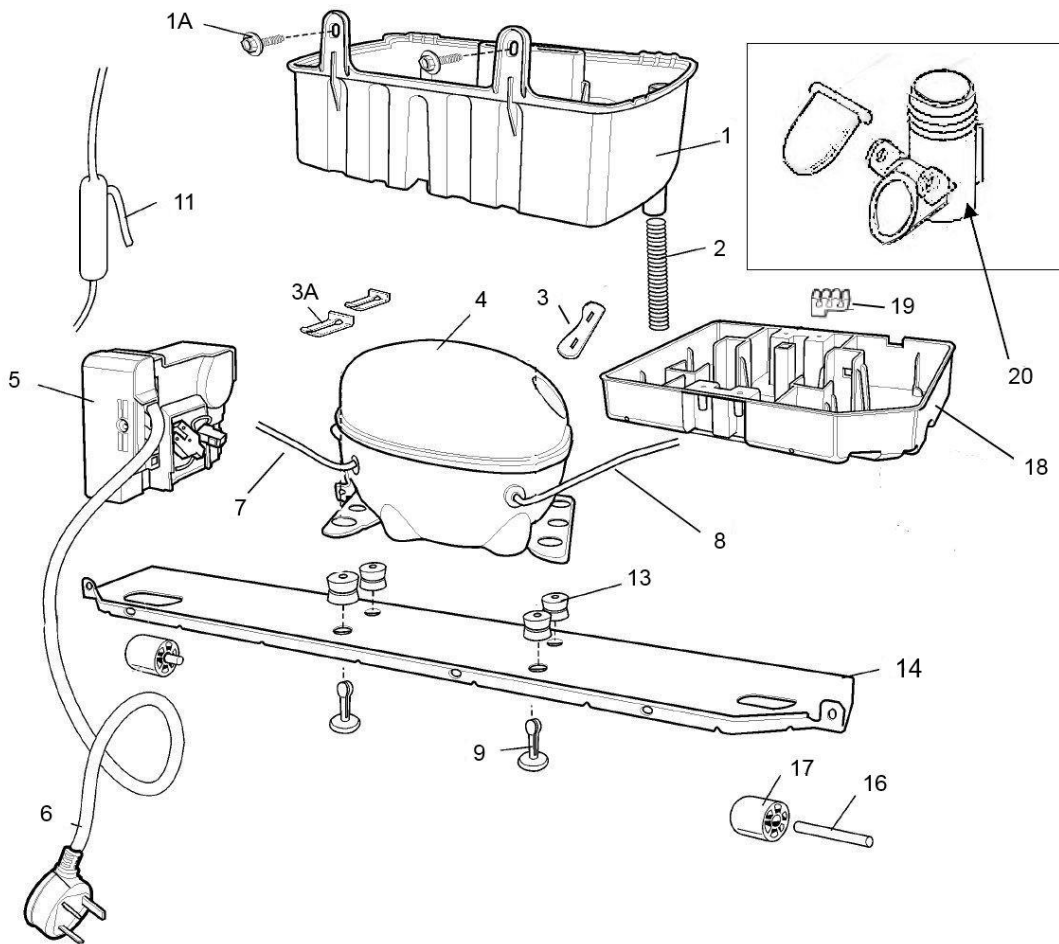


ITEM No.	PART No.	DESCRIPTION	EX 8413M	SC	WC
1	A00585702	MULTIFLOW ASSY TF AU		1	1
1A	A00685409	COVER DEODORIZER WHT FS		1	1
	N.P.N.	FILTER DEODORIZER		1	1
2	A01098401	LENS COVER BLUE ASSY		1	1
3	807717401	PCBA G_SSLB (6 LED STRIP)		1	1
4	A02150002	DUCT EPS MULTIFLOW SD RF WH 70		1	1
5	A05257408	HARNESS-ASSY M/FLOW SD WEST		1	1
9	811699602	BLADE FAN,NAT		1	1
10	811949503	SCREW		1	1
11	A02152001	BRACKET SUPPORT FAN MOUNT SD		1	1
12	811972801	GROMMET FAN SIDE		1	1
13	809069208	MOTOR FAN PANASONIC DC 3W MDR4		1	1
14	A02113401	GROMMET FAN PANA DC FAN		1	1
15	A02164801	RETAINER CLIP		1	1
16	A02454302	FAN SHROUD ASSY DC SD		1	1
20	A02149901	DUCT EPS EVAP BOTTOM ALL SD		1	1
	A02149801	DUCT EPS EVAP TOP ALL SD		1	1
21	N.P.N.	TAPE EPDM		0	0
22	A01097401	TRAY EVAP DRAIN BM/SD 70W		1	1
23	A05206101	HARNESS-ASSY SENSOR DEFROST/SD		1	1
24	A02249601	SUPPORT EVAPORATOR BF		2	2
25	14004067216	EVAPORATOR ASSY SD RF 70W FLAT		1	1
26	A01058204	HEATER RAD DEF R600 240V BF70W		1	1
27	A02152201	SEALING BACK EPS MULTIFLOW SD		0	0
28	Refer Item 20	FOIL TAPE		0	0
29	A02054901	COVER EVAPORATOR SD RF 70		1	1
30	811949503	SCREW TRUSS 4.2X13		4	4
31	811971601	COVER SCREW		3	3
32	A02456201	COVER EVAPORATOR ASSY SD RF		1	1

MODEL: WRB5004WB-L & R, WRB5004SB-L & R

COMPRESSOR COMPARTMENT

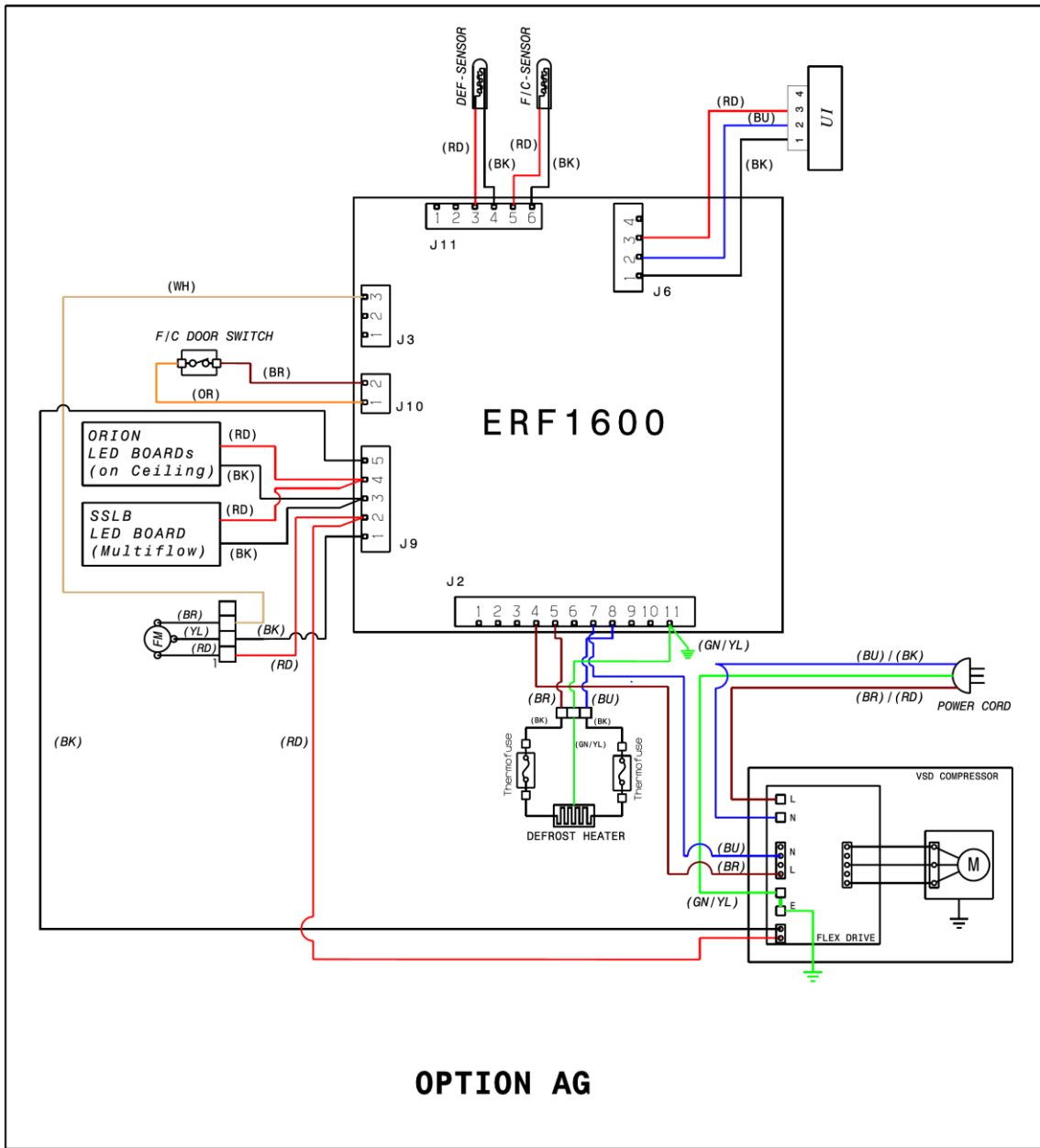
Ex 8404M



ITEM No.	PART No.	DESCRIPTION	Ex 8404M	SC	WC
1	A01262501	DRAIN PAN SD		1	1
1A	A01075101	SCREW TAPPING M4X0.7X10		1	1
2	A02359903	TUBE CORRUGATE SD		1	1
3	811998601	CLAMP COMPRESSOR		2	2
3A	A04326602	CLAMP COMPRESSOR (set 2).		2	2
4	A14088801	COMPRESSOR EMBRACO FMXY6C		1	1
5	A01452515	PCBA DRIVE EMBRACO FMXY6C		1	1
6	A03593401	POWERCORD INVERTER REF AU/NZ		1	1
7	A04339604	TUBE JUMPER H/X 70W FMXY6C		1	1
8	A03885402	TUBE EXTRA		1	1
9	N.P.N	PIN MOUNT COMPRESSOR (PART OF BASE)		2	2
11	ES5332	DRIER		1	1
13	811978901	GROMMET COMPRESSOR		4	4
14	N.P.N	COMPRESSOR BASE		1	1
16	811998301	SHAFT ROLLER		2	2
17	811998202	ROLLER REAR		2	2
18	A03906201	DRAIN PAN SD & HEATER TUBE ASY		1	1
19	A03637801	SPACER 3 TURN HEATER		4	4
20	811976001	VALVE DRAIN ASSY BF		1	1
N.I.	A03633603	HEATER TUBE DRAIN PAN SD		1	1

DIAGRAMS

WIRING DIAGRAM



WARNING
 IT IS ILLEGAL FOR PERSONS OTHER THAN LICENSED ELECTRICAL MECHANICS OR PERSONS AUTHORIZED BY LEGISLATION TO WORK ON THE FIXED WIRING OF ANY ELECTRICAL INSTALLATION. PENALTIES FOR CONVICTION ARE SEVERE.

IMPORTANT SAFETY NOTICE
 This diagram has been prepared for use by electrically qualified service technicians. Electrolux cannot be held responsible for the interpretation of its service publications nor for any injury or damage that may occur in connection with their use.

Publication Version Control Chart		
Issue Number	Reason	Date
1	Original Document	23-07-2019