

Electrolux

ELECTROLUX HOME PRODUCTS PTY LTD

ABN 51 004 762 341

Technical Publication Nº RE1100

Issue: 1

Date: 09/2021

PARTS & VIEWS *Westinghouse* ***“C” Series*** ***Basic Electronic – All Freezer***



MODEL	PNC
WFB4204SC-L	92506087802
WFB4204SC-R	92506087702
WFB4204WC-L	92506087602
WFB4204WC-R	92506087502

MAINTENANCE LEVEL CHANGE SUMMARY

ML	Description	Product Release Date
00	First release	06/2020

MODEL NUMBER IDENTIFICATION

BRAND		TYPE		CONTROL		CAPACITY A		CAPACITY B (Refer Note 4)		FEATURE		DESIGN FEATURE		COLOUR		SERIES		DIVIDER	HAND		PLUG TYPE (COUNTRY)*			
CODE	BRAND	CODE	BUILD	CODE	BUILD	CODE	CAPACITY	CODE	CAPACITY	CODE	FEATURE	CODE	FEATURE	CODE	COLOUR	CODE	SERIES		CODE	HAND	CODE	PLUG TYPE		
A	AEG	B	BOTTOM FREEZER	E	DISPLAY ELECTRONIC	0	0-99 LITRES	0	= 0 LITRES	0	PLAIN	0	PLAIN	A	ARCTIC STEEL (SPB015)	A	NEW MODEL RANGE	*	R	RIGHT HAND	A	AUSTRALIAN STANDARD		
C	CHEF	C	CHEST FREEZER	M	ELECTRO MECHANICAL (MANUAL)	1	100-199 LITRES	1	= 10 LITRE	1	EXCLUSIVE MODEL POLAR HANDLE + INTERNAL IZ	1	BUILT IN/INTEGRATED	M	SLATE SILVER (SPB016)	B	FIRST SERIES CHANGE		L	LEFT HAND	B	BRITISH 3 PIN SQUARE		
D	SISIL	F	UPLIGHT FREEZER	S	STANDARD ELECTRONIC	2	200-399 LITRES	2	= 20 LITRE	2	ICE MAKER ONLY	2	POCKET HANDLE	S	STAINLESS STEEL	C	SECOND SERIES CHANGE		X	NO HAND/REVERSIBLE	E	EUROPEAN 2 PIN		
E	ELECTROLUX	H	FRENCH DOOR	B	BASIC ELECTRONIC	3	300-399 LITRES	3	= 30 LITRE	3	BAR ONLY	3	3 DOOR/VARIABLE TEMPERATURE COMPARTMENT	W	WHITE	D	ETC		D	DRAWER	S	SOUTH AFRICAN		
F	FRIGIDAIR	R	ALL REFRIGERATOR			4	400-499 LITRES	4	= 40 LITRE	4	WATER DISPENSER ONLY	4	POLAR HANDLE	P	PACIFIC SILVER	E	ETC		H	SXS, NON HANDED	R	BRITISH 3 PIN ROUND		
G	FRIGIDAIR GALLERY	S	SIDE X SIDE			5	500-599 LITRES	5	= 50 LITRE	5	LOCK	5	FLAT GLASS DOOR/ WINE COOLER	D	DYNAMIC SILVER	X	EXPORT ASIAN S/STEEL		C	DRAWER FULLY CONVERTIBLE (MID DRAWER FUNCTIONALITY)	T	THAI BLACK PLUG		
H	WHITE WESTINGHOUSE	T	TOP FREEZER			6	600-699 LITRES	6	= 60 LITRE	6	ICE MAKER ONLY WITH WATER DISPENSER	6	CURVED GLASS DOOR	C	CHAMPAGNE	W	EXPORT ASIAN WHITE		V	DRAWER VARIABLE (MID DRAWER FUNCTIONALITY)	SA	SAUDI ARABIA 220V 60HZ		
I	ELECTROLUX ICOM	P	PANTRY			7	700-799 LITRES	7	= 70 LITRE	7	ICE & WATER DISPENSER	7	CLADIE-LINE (FLAT)	V	VCM 443	Z	R600a TRIALS		F	DRAWER FREEZER (MID DRAWER FUNCTIONALITY)	PH	PHILIPPINES 220V 60HZ		
K	ARTHUR MARTIN	O	QUATRO SXS			8	800-899 LITRES	8	= 80 LITRE	8	ICE & WATER & BAR	8	ASSIST HANDLE	B	BLACK/EBONY								IL	ISRAEL
P	PHILCO	M	MULTI DOOR			9	900 + LITRES	9	= 90 LITRE	9	ICE & WATER DISPENSER & INTERNET CONNECTIVITY	9	BUILT IN/INTEGRATED (FLAT)	X	BLACK STAINLESS								MY	MALAYSIA/SINGAPORE
R	ARTHUR MARTIN	W	WINE COOLER											G	GOLD							ID	INDONESIA	
S	SIMPSON	I	INTERNAL ICE BOX																			VN	VIETNAM	
U	REX ELECTROLUX																					TH	THAILAND	
W	WESTINGHOUSE																					AU	AUSTRALIA/NZ	
Z	ZANUSSI																					EU	EUROPE	
M	HIMART																					CN	CHINA	
																						SG	SINGAPORE	
																						JP	JAPAN	
																						IN	INDIA	
																						ZA	SOUTH AFRICA	
																						CL	CHILE	
																						AR	ARGENTINA	
																						MX	MEXICO	
																						BR	BRAZIL 220V	
																						BZ	BRAZIL 127V	
																						NA	NORTH AMERICA	
																						PU	PARAGUAY, URUGUAY, BOLIVIA	
																						CA	CANADA CARIBBEAN 220V	
																						CC	CANADA CARIBBEAN 127V	
																						AE	GCC GROUP	
																						SK	SOUTH KOREA	

NOTE: THIS LETTER ONLY FOR EXPORT DOMESTIC PRODUCT IS BLANK

CONTENTS

MAINTENANCE LEVEL CHANGE SUMMARY2

MODEL NUMBER IDENTIFICATION.....2

DOOR PANELS – Quick Guide3

EXPLODED VIEWS & PARTS LISTS.....4

MODEL: WFB4204SC & WFB4204WC4

DOOR4

MODEL: WFB4204SC & WFB4204WC6

CABINET.....6

MODEL: WFB4204SC & WFB4204WC8

COMPRESSOR8

MODEL: WFB4204SC & WFB4204WC10

EVAPORATOR / DUCT.....10

DIAGRAMS.....12

WIRING DIAGRAM12

DOOR PANELS – Quick Guide

PART No.	DESCRIPTION	MODEL	PNC
A16287055	DOOR SPARE FZR	WFB4204SC-L	925060878
A16287056	DOOR SPARE FZR	WFB4204WC-L	925060877
A16287059	DOOR SPARE FZR	WFB4204SC-R	925060876
A16287060	DOOR SPARE FZR	WFB4204WC-R	925060875

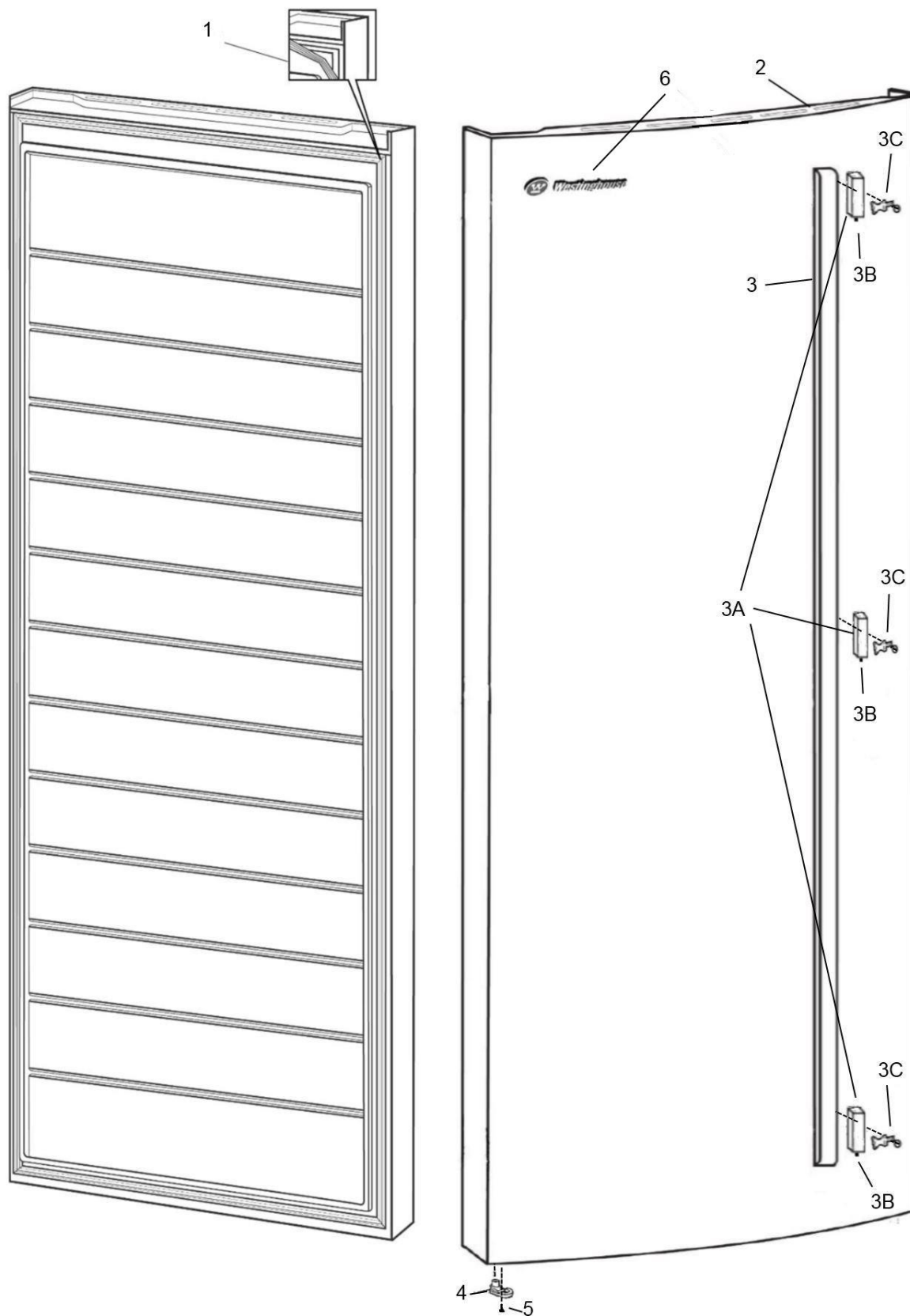
NOTE: In Parts Listings

N.I. = Not Illustrated
N.P.A. = No Part Available
N.P.N. = Not Used on this Model

EXPLODED VIEWS & PARTS LISTS

MODEL: WFB4204SC & WFB4204WC

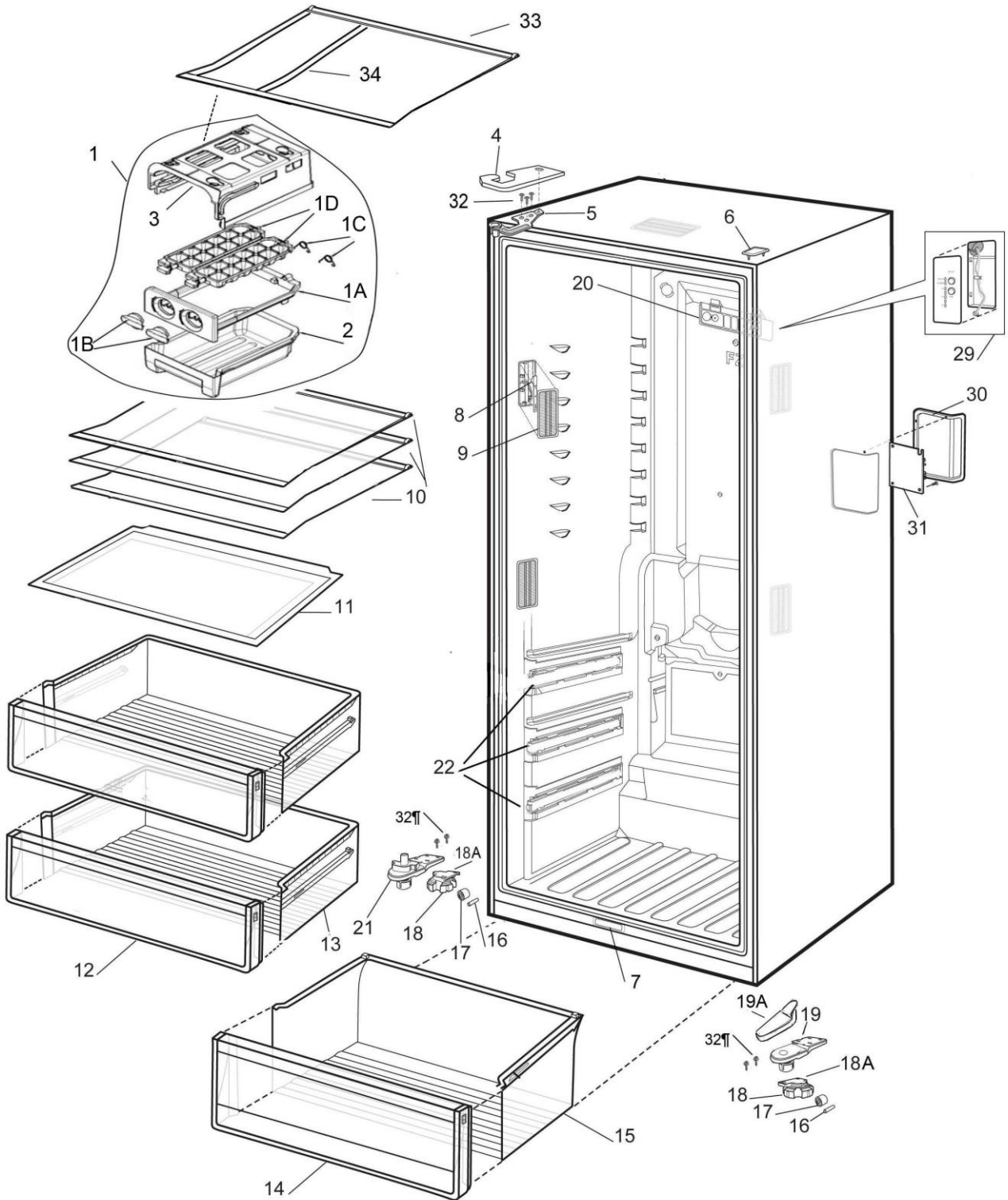
DOOR



ITEM	PART No.	DESCRIPTION	WFB4204SC	WFB4204WC
1	811988551	GASKET SD 70	1	1
2	<i>See page 3</i>	DOOR PANEL FZR	1	
2	<i>See page 3</i>	DOOR PANEL FZR		1
3	A15656905	HANDLE BODY SD WH SS	1	1
3A	A13428303	HANDLE PEDESTAL PACKED WH SS	1	1
3B	<i>(Part of 3A)</i>	GRUB SCREW	3	3
3C	A04818901	SCREW MOUNTING HANDLE MD36	3	3
4	A01046504	BEARING AUTO CLOSER L TF SL	1	
4	A01046501	BEARING AUTO CLOSER R TF WHT		1
5	2432794	SCREW	1	1
6	1458193	BADGE WESTINGHOUSE	1	1
N.I.	224007605	MAGNET SENSOR REED SW	1	1
N.I.	A03877501	PIN HOLE DOOR GREY	6	6
N.I.	A03877502	PIN HOLE DOOR WHITE	6	6
N.I.	01069002	BEARING HINGE FRZ TOP CLOSED	2	2
N.I.	A05807201	REVERSAL KIT DOOR	1	1

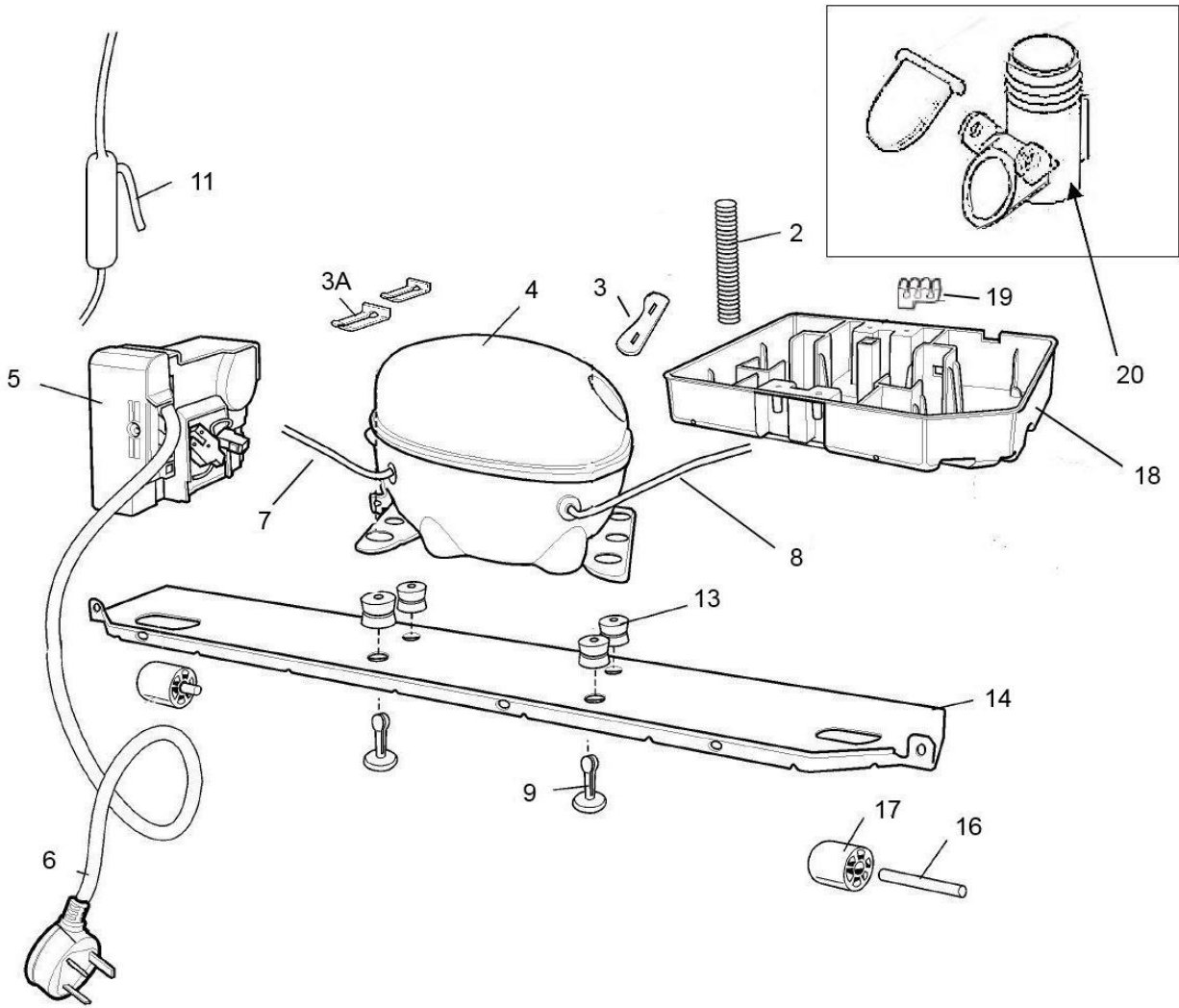
MODEL: WFB4204SC & WFB4204WC

CABINET



ITEM No.	PART No.	DESCRIPTION	WFB4204SC	WFB4204WC
1	A01266701	TWIST & SERVE ICE Inc. 1A to 1D, 2, & 3	1	1
1A	A01212902	FRAME T&S 2 TRAY ASSY WHITE	1	1
2	811956601	BIN ICE PACIFIC CLEAR	1	1
3	A01203402	SUPPORT BRACKET for T&S	1	1
4	A00828101	COVER TOP HINGE LEFT GR	1	
	A00828102	COVER TOP HINGE LEFT WHT		1
5	A00354402	HINGE TOP LEFT	1	1
	A00354401	HINGE TOP RIGHT		
6	A00828101	COVER TOP HINGE LEFT GR	1	
	A00828002	COVER TOP HINGE RIGHT WHT		1
7	242515406	SWITCH DOOR REED POTTED	1	1
N.I.	807917002	COVER BOX REED FZ	1	1
8	242196207	PCB 3 LEDS CLUSTER GALGA	1	1
9	242202701	LENS 3 LEDS CLUSTER GALAGA	1	1
10	A02611302	SHELF LONG	3	3
11	A02153301	SHELF SHORT	1	1
12+13	A01054102	DRAWER FZR FR MID ASY 70 WH	2	2
13	A00354101	DRAWER MIDDLE BODY BF70	2	2
14+15	A01054101	DRAWER FZR FR LWR ASY 70 WH	1	1
15	A01051801	DRAWER LOWER BODY BF70	1	1
16	A01808801	AXIS ROLLER	1	1
17	A01819201	ROLLER FOOT	2	2
18	A01819302	FOOT LEVER	2	2
18A	A01819101	FOOT BASE THREAD	2	2
19	A01829602	FOOT RIGHT ASSY	1	1
19A	A01817904	COVER FOOT RIGHT HINGE GREY	1	
	A01817902	COVER FOOT RIGHT HINGE WHITE		1
21	A01819902	HINGE BASE LEFT ASSY	1	1
22	A01391303	HOUSING SUPPORT SUSPENDED LH	3	3
	A01391304	HOUSING SUPPORT SUSPENDED RH	3	3
29	A01401301	DISPLAY UI SDAF WEST ASSY	1	1
30	A01277301	HOUSING REAR PCB COVER	1	1
N.I.	A01278702	HOUSING REAR PCB ADAPTER	1	1
31	A01028704	PCB ERF1600 FCT PROGRAMMED	1	1
32	811949401	SCREW TRILOB M5X16	11	11
33	A02459601	SHELF T&S ASSY SD FZ WH INC. 34	1	1
34	A01203402	SUPPORT SHELF DOUB T&S TF EL	1	1

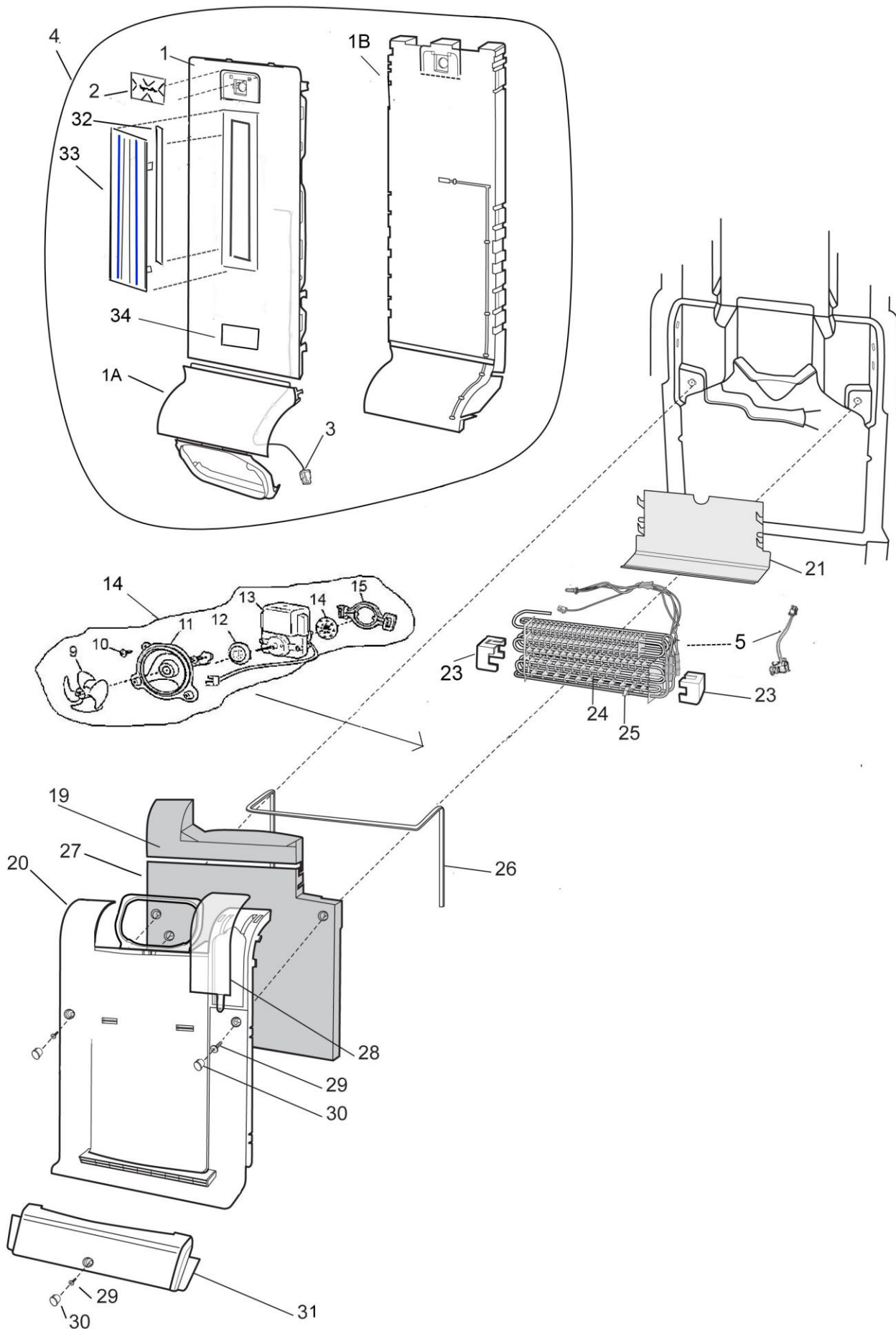
MODEL: WFB4204SC & WFB4204WC
COMPRESSOR



ITEM No.	PART No.	DESCRIPTION	WFB4204SC	WFB4204WC
2	A02359902	TUBE CORRUGATE BF	1	1
3 / 3A	A04326602	CLAMP COMPRESSOR SINGLE	2	2
4	A14088804	COMPRESSOR EMBRACO FMXA9C	1	1
5	140014525228	PCBA DRIVE EMBRACO FMXA9C	1	1
6	811943502	POWER CORD RF AU EMBRACO	1	1
7	A04539601	TUBE JUMPER H/X 70W EMBRACO	1	1
8	808293601	TUBE PROCESS	1	1
9	N.P.N.	PIN MOUNT COMPRESSOR (PART OF BASE)	2	2
11	ES5332	DRYER	1	1
13	811978901	GROMMET COMPRESSOR	4	4
14	N.P.N.	COMPRESSOR BASE	1	1
16	811998301	SHAFT ROLLER	2	2
17	811998202	ROLLER REAR	2	2
18	A03906201	DRAIN PAN SD & HEATER TUBE ASY	1	1
19	A03637801	SPACER 3 TURN HEATER	2	2
20	811976001	VALVE DRAIN ASSY BF	1	1
N.I.	A10080806	HEATER TUBE DRAIN PAN SD LOK	1	1

MODEL: WFB4204SC & WFB4204WC

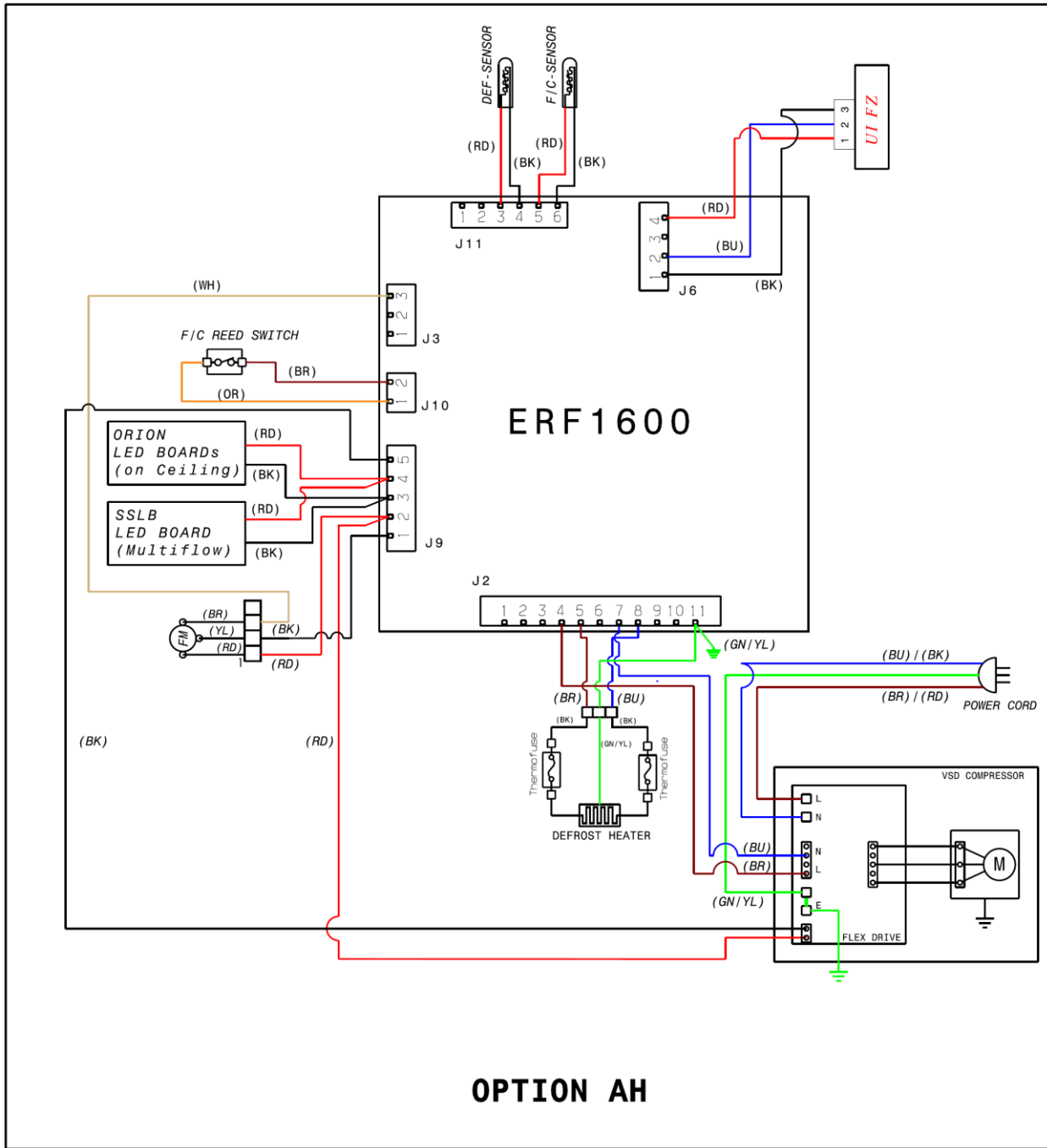
EVAPORATOR / DUCT



ITEM No.	PART No.	DESCRIPTION	WFB4204SC	WFB4204WC
1	A00762803	COVER MF UPPER BF1725 FLAT	1	1
1A	A02149101	COVER BOTTOM MULTIFLOW SD	1	1
1B	A02458002	DUCT EPS MULTIFLOW SD RF WH 70	1	1
2	A00685409	COVER DEODORIZER WHT FS	1	1
3	A05257408	HARNESS-ASSY M/FLOW SD WEST	1	1
4	A02457702	MULTIFLOW ASY SD FZ WH	1	1
5	A05257408	HARNESS-ASSY SENSOR DEFROST SD	1	1
9	811699602	BLADE FAN,NAT	1	1
10	811949503	SCREW TRUSS 4.2X13	1	1
11	A02152001	BRACKET SUPPORT FAN MOUNT SD	1	1
12	A02113401	GROMMET FAN PANA DC FAN	1	1
13	809069208	MOTOR FAN PANASONIC DC 3W MDR4	1	1
14	A02454302	FAN SHROUD ASSY DC SD	1	1
15	A02164801	RETAINER CLIP	1	1
19	A02149901	DUCT EPS EVAP BOTTOM ALL SD	1	1
20	A02456202	COVER EVAPORATOR ASSY SD FZ (INC. 14, 19, 26, 27 & 31).	1	1
21	A01097401	TRAY, EVAPORATOR BM/SD 70W	1	1
22	811980402	CLAMP NTC EVAPORATOR	1	1
23	A03840001	SUPPORT EVAPORATOR FZ SD	2	2
25	A01058204	HEATER RAD DEF R600 240V BF70W	1	1
24	14004067215	EVAPORATOR ASSY SD FZ 70W FLAT	1	1
26	A02152201	SEALING BACK EPS MULTIFLOW SD	1	1
27	A02149901	DUCT EPS EVAP BOTTOM ALL SD	1	1
28	A02456601	COVER EVAPORATOR LID SD 70	1	1
29	811949503	SCREW TRUSS 4.2X13	3	3
30	811971601	COVER SCREW	3	3
31	N.P.N.	COVER EVAP EXTENSION SD (see item 20)	1	1
32	807717401	PCB LED MAIN G_SSLB	1	1
33	A01098402	LENS COVER BLUE ASSY	1	1
34	N.P.N.	TASTE GUARD WITH FILTER	1	1
N.I.	1451297	WASHER SLINGER NYLON	1	1

DIAGRAMS

WIRING DIAGRAM



Publication Version Control Chart		
Issue Number	Reason	Date
1	Original Document	01-06-2020