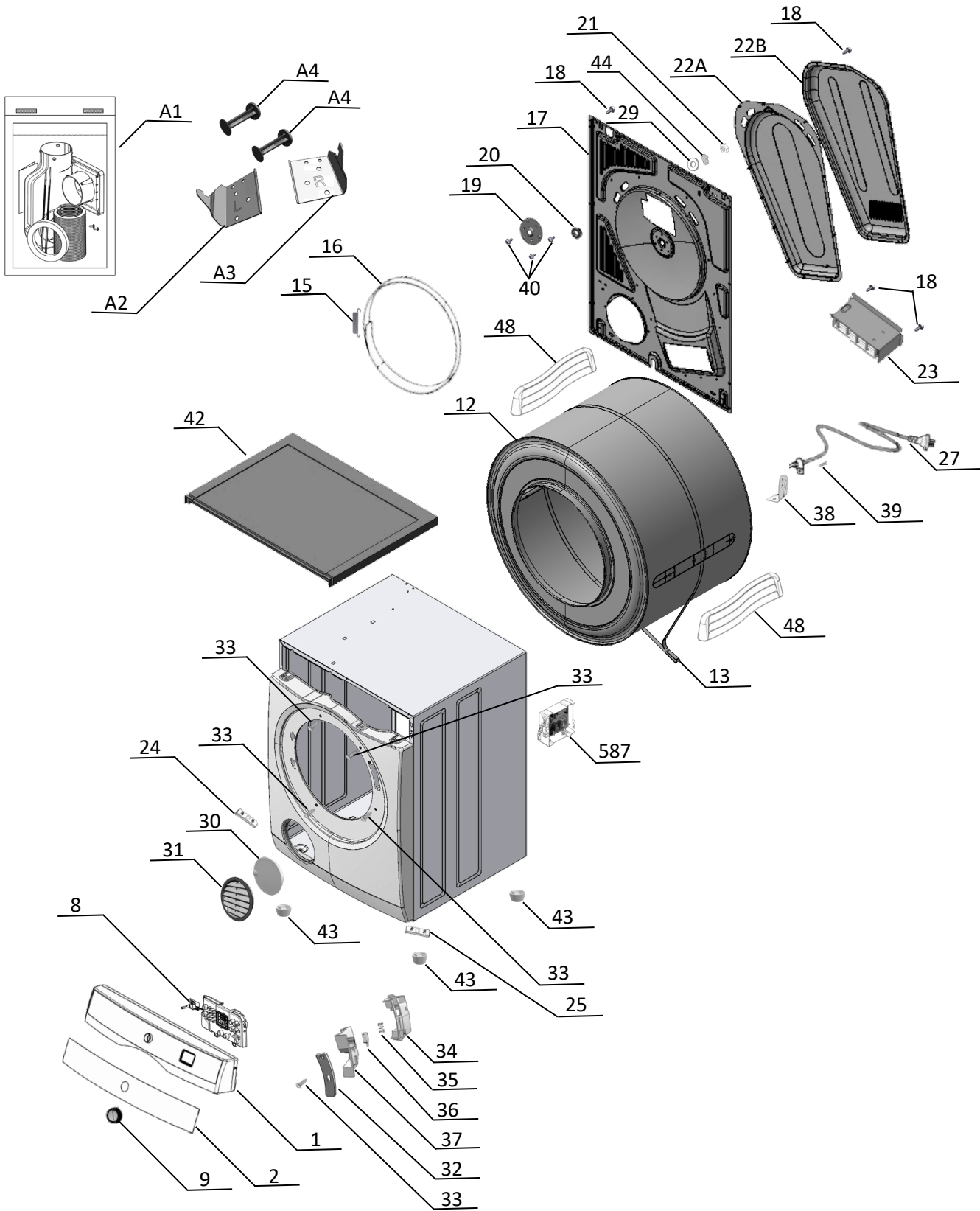


Section 1



P09163089369