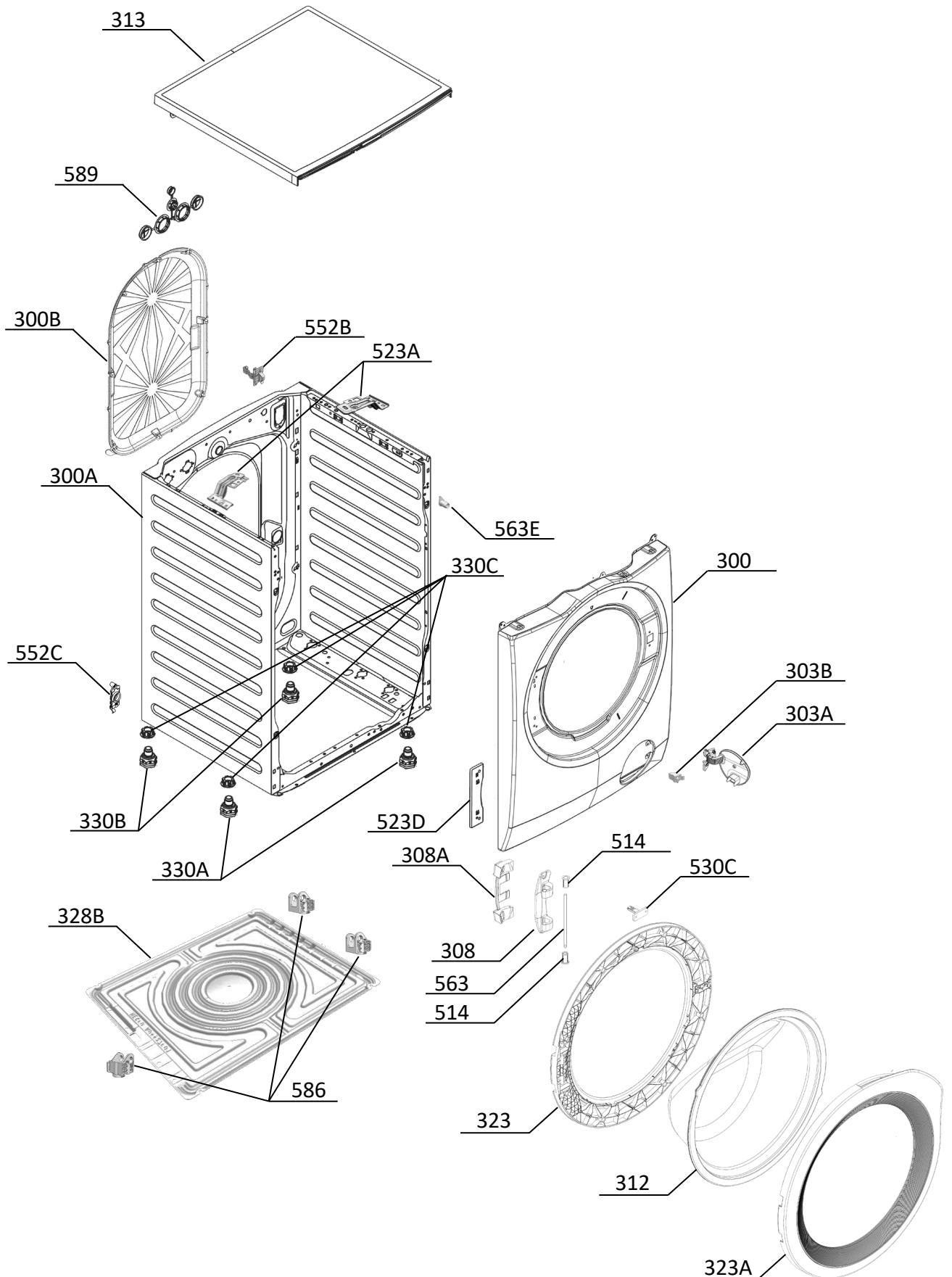


# Housing 001



P09143122935