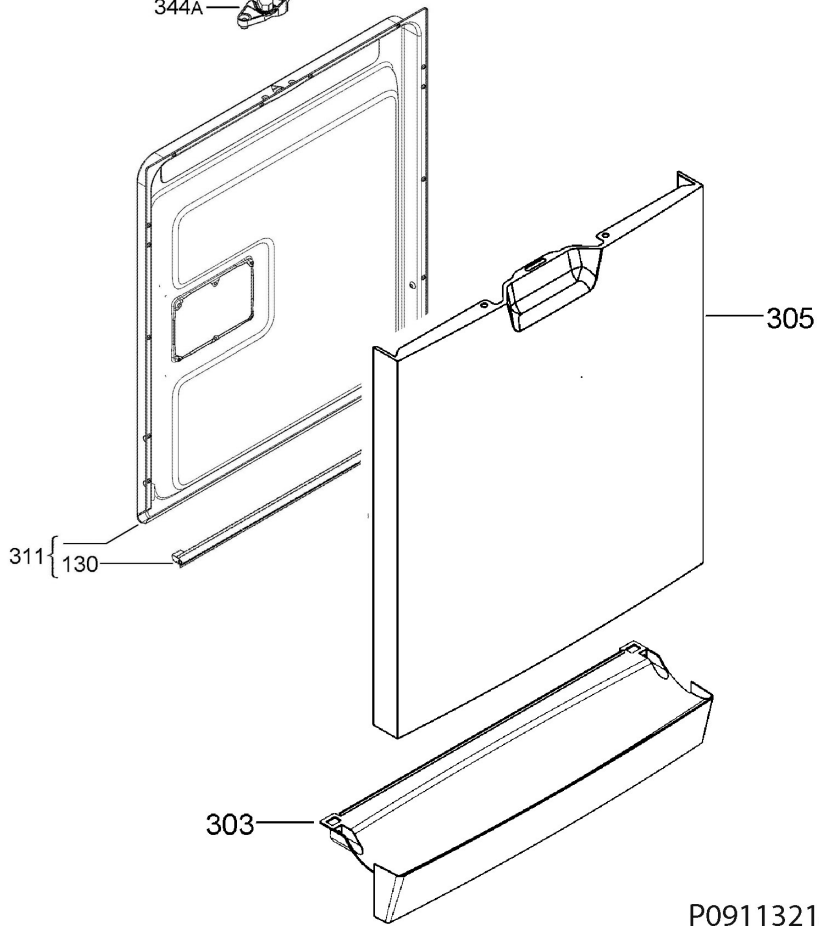


344A



P09113218751