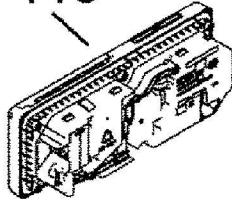
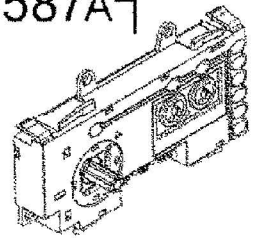


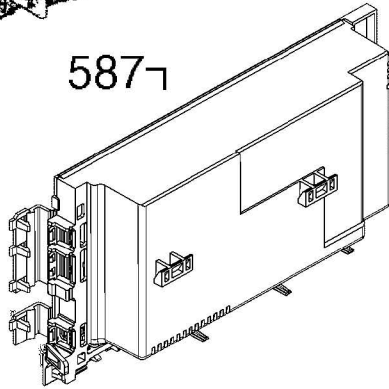
118



587A7



5877



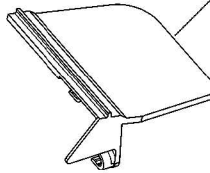
344



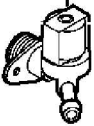
506



550C

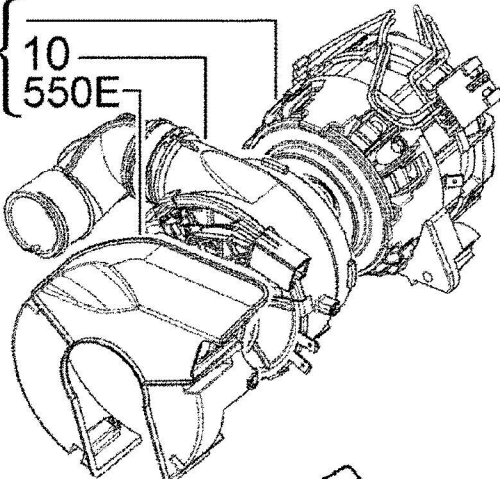


5



6

10
550E

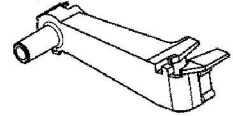
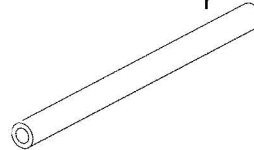


523G

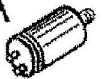


12

110C



11A



48



567



6A

