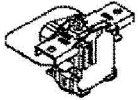


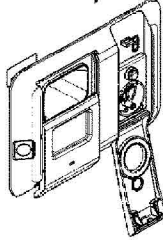
344



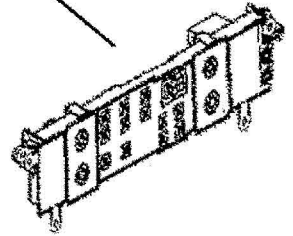
16



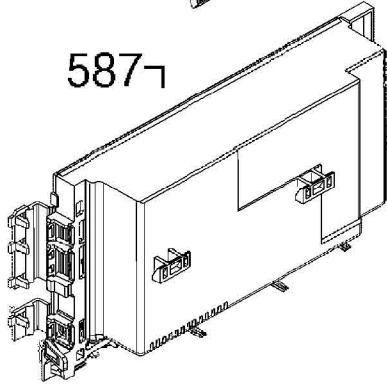
1187



587A



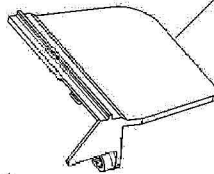
5877



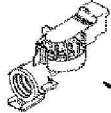
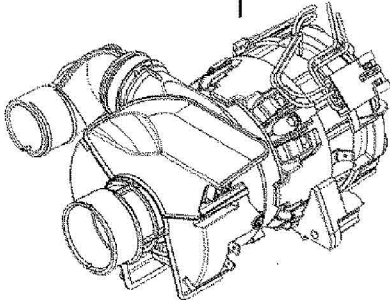
506



550C



6



12

11A



11



48



567



6A

