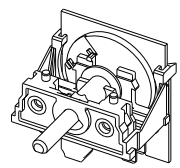
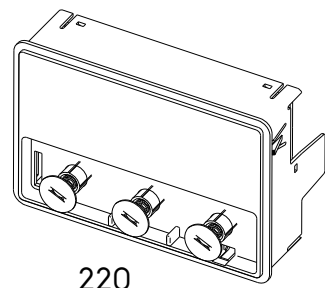


222D

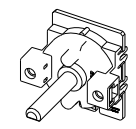
222S



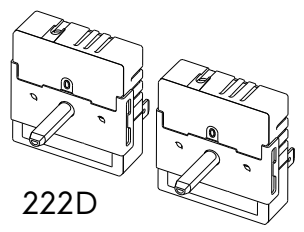
226



220

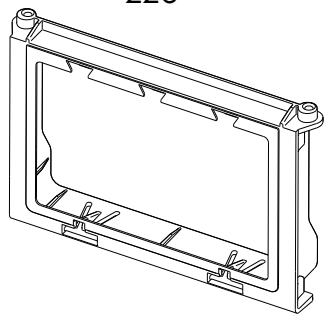


232

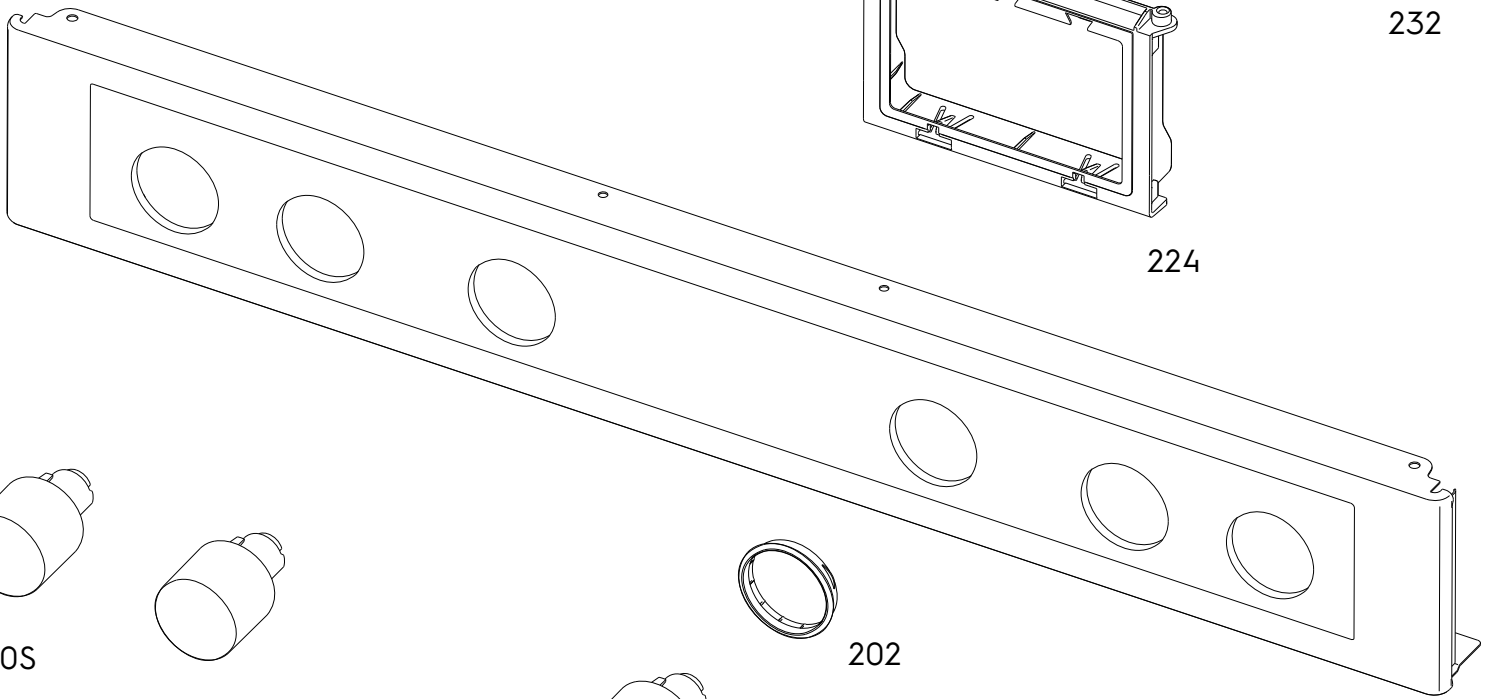


222D

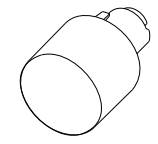
222S



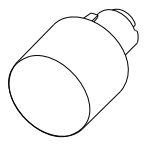
224



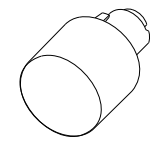
210



200D



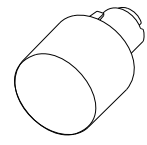
200S



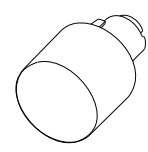
200F



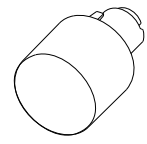
202



200T



200D



200S