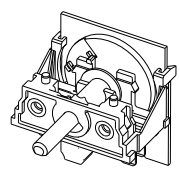
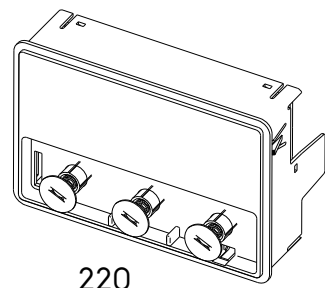


222D

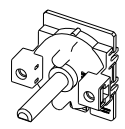
222S



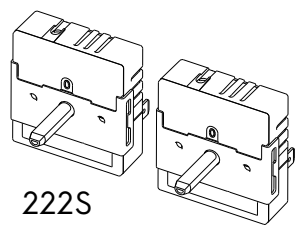
226



220

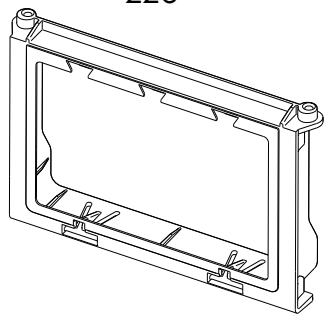


232

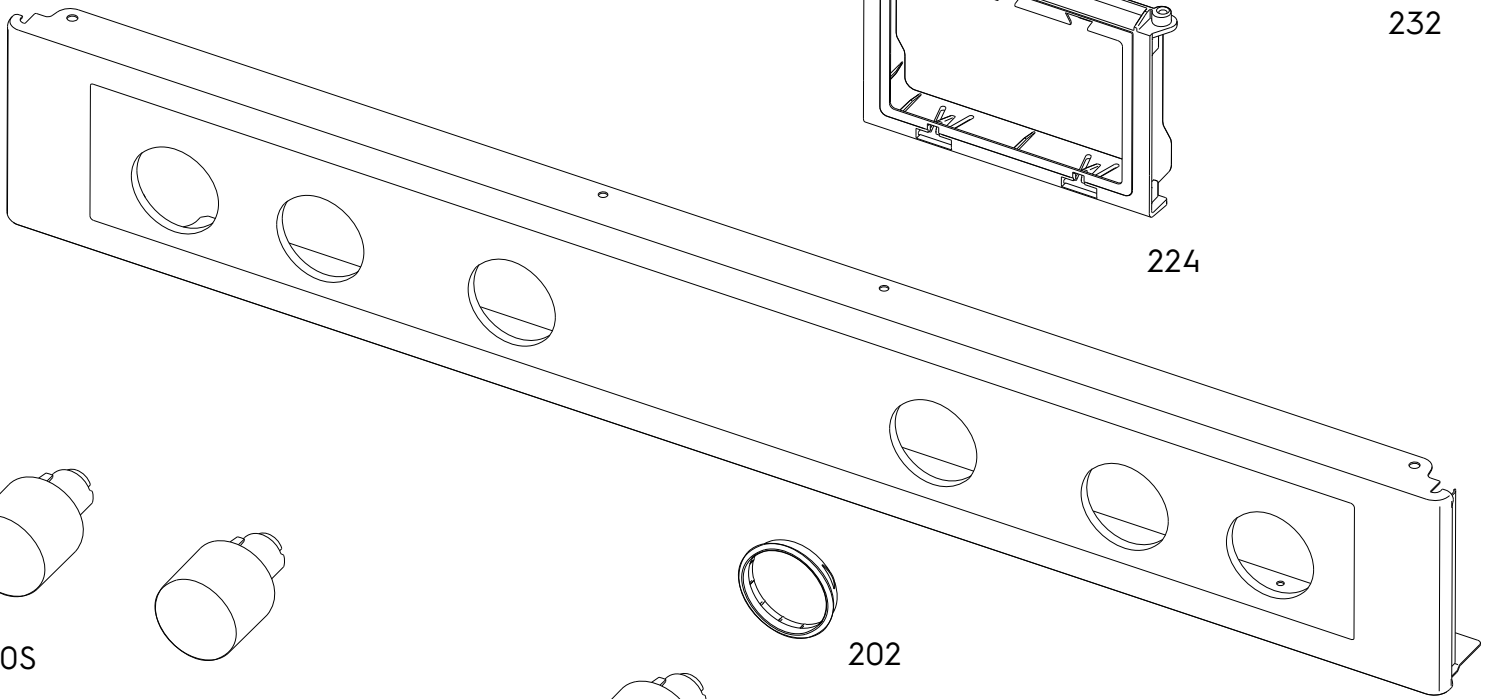


222S

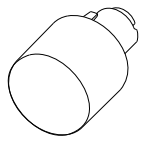
222D



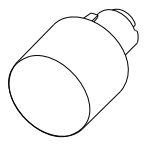
224



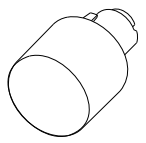
210



200D



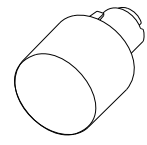
200S



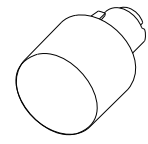
200F



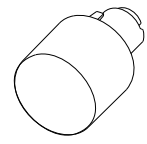
202



200T



200S



200D