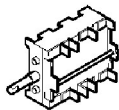


240

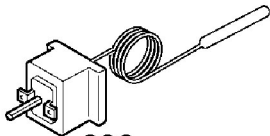
242



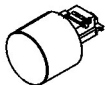
226



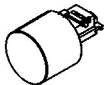
220



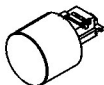
230



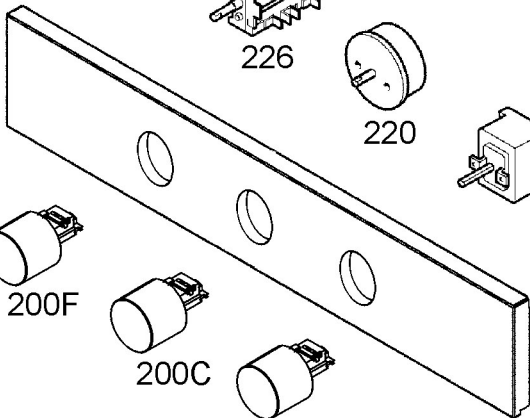
200F



200C



200T



210

P00003143450