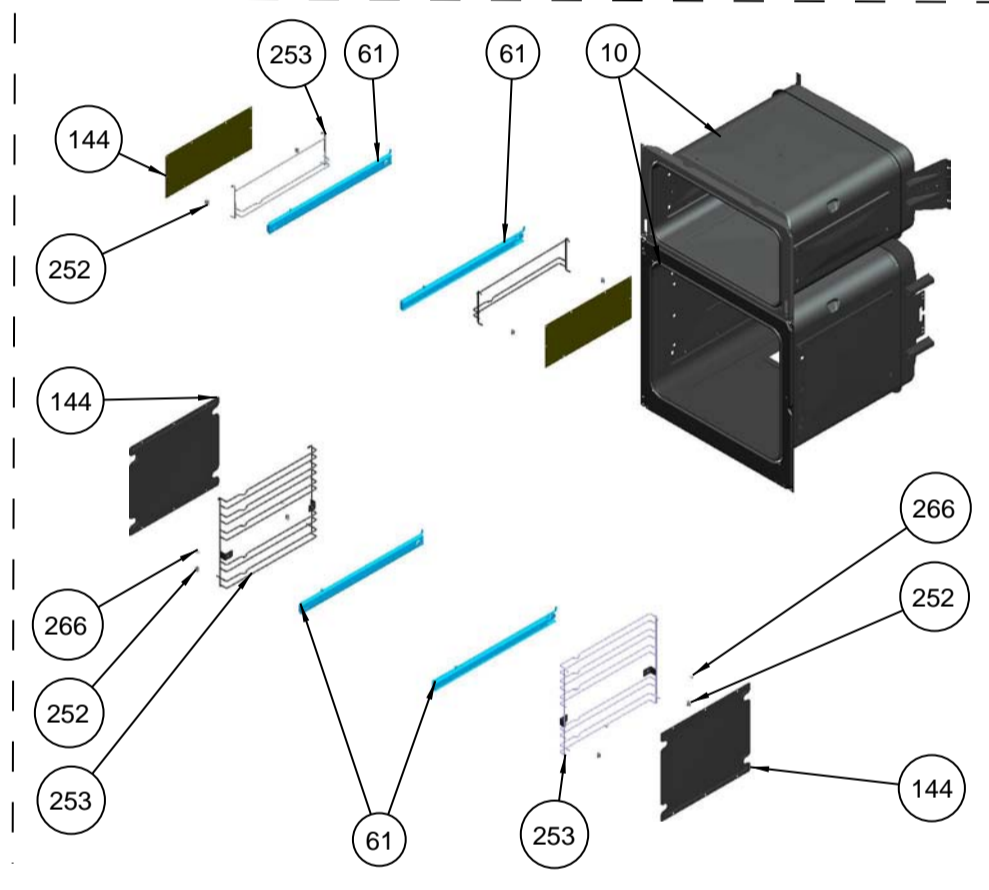
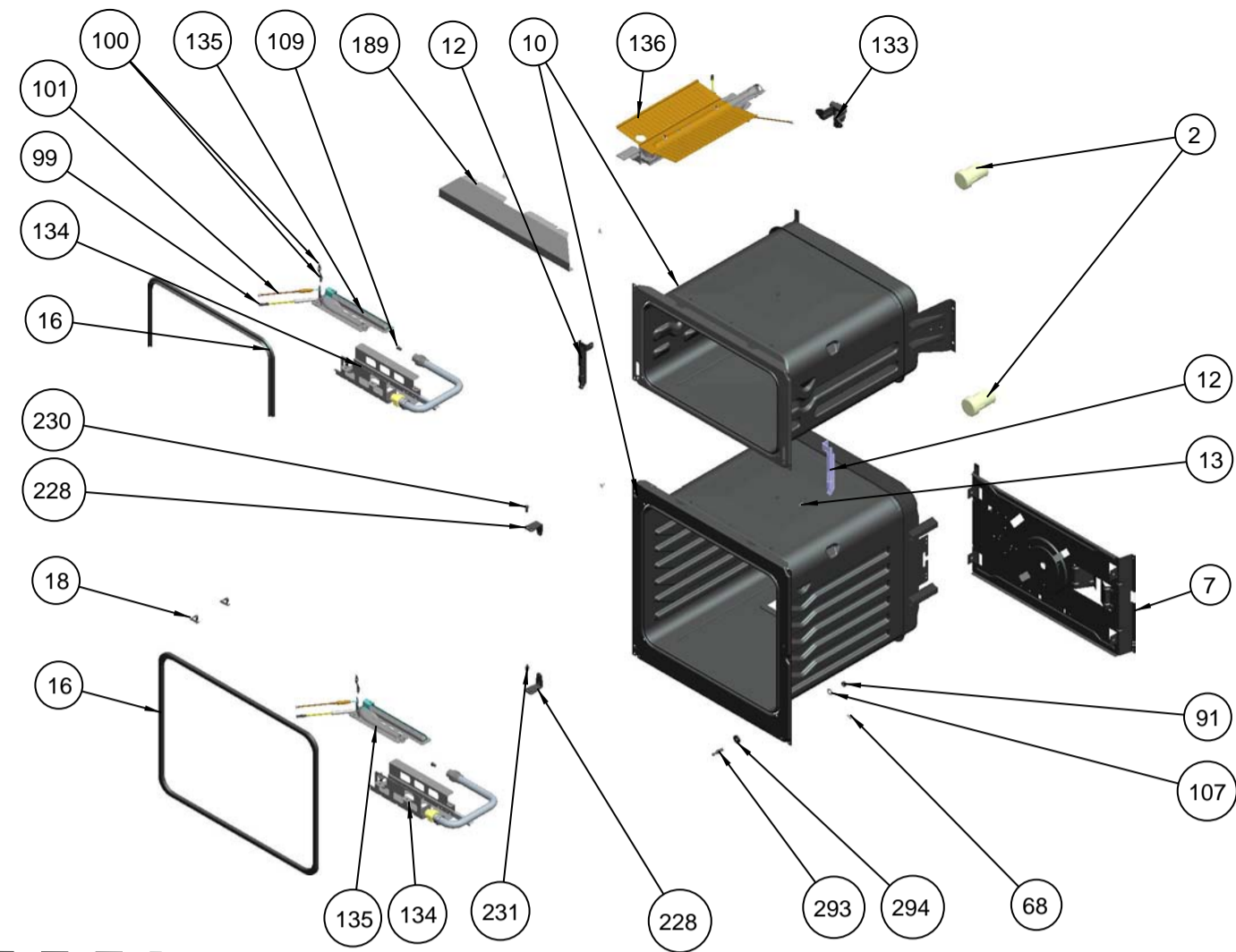
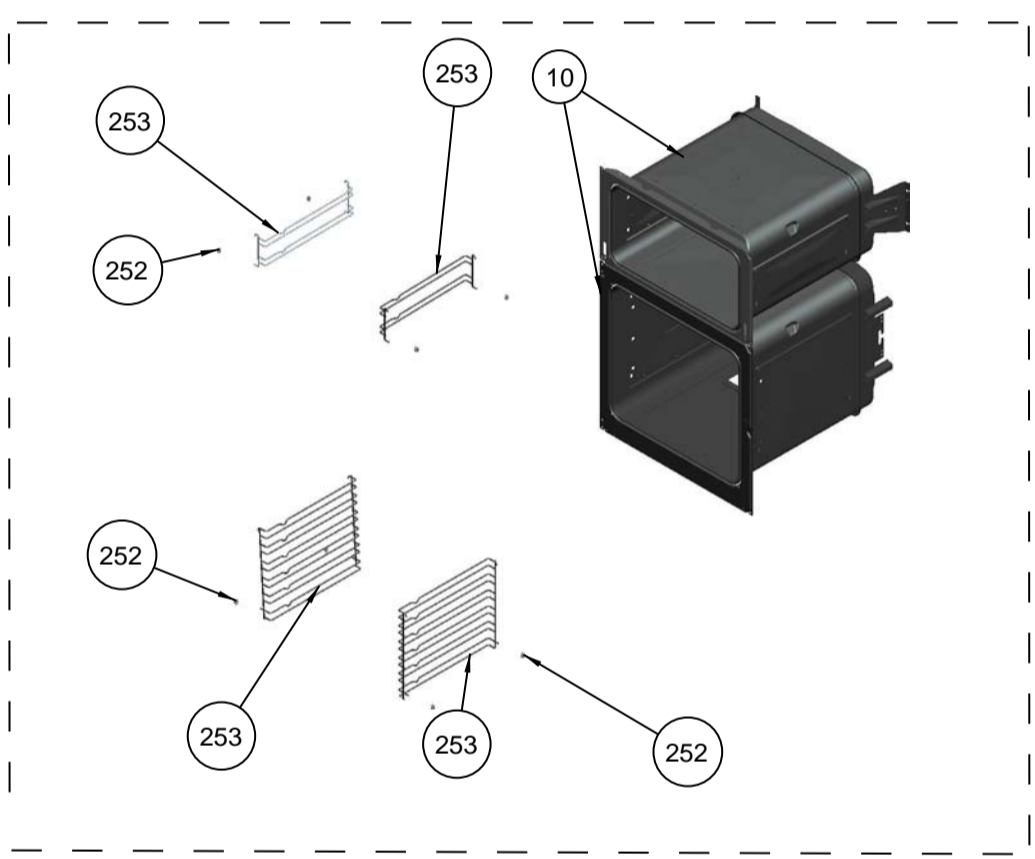


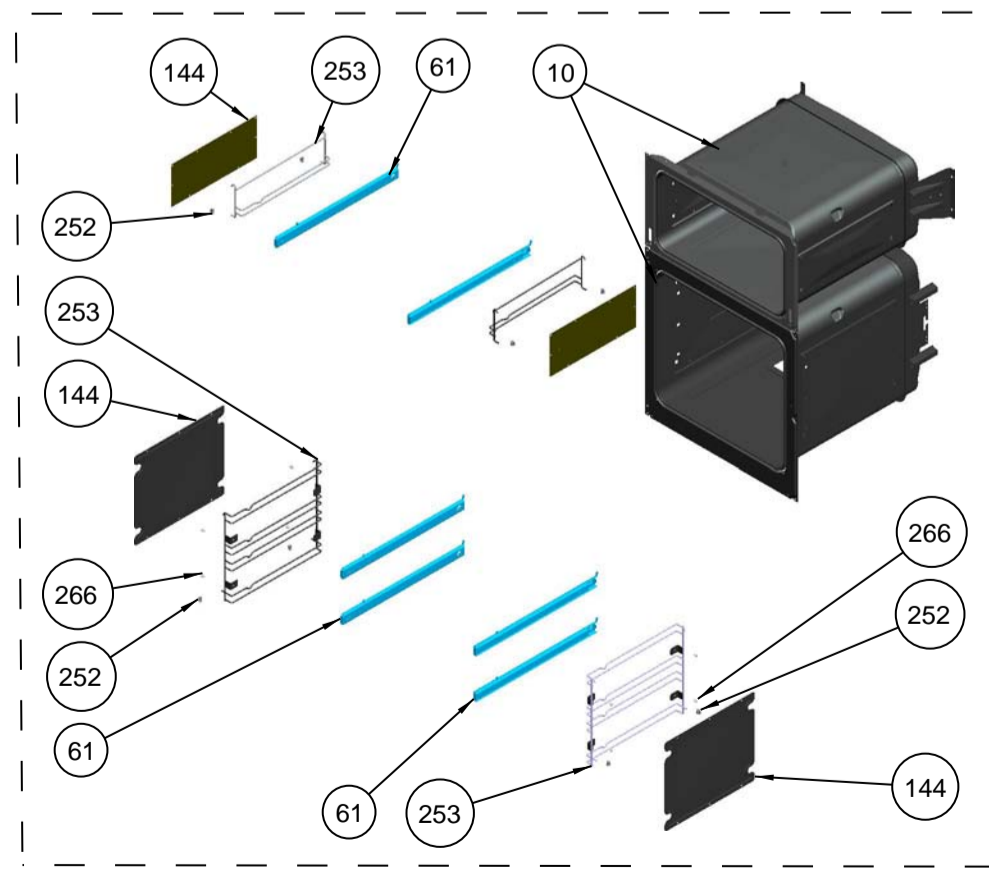
CAVITY ASSEMBLY WITH CATALYTIC PANEL (OPTIONAL)



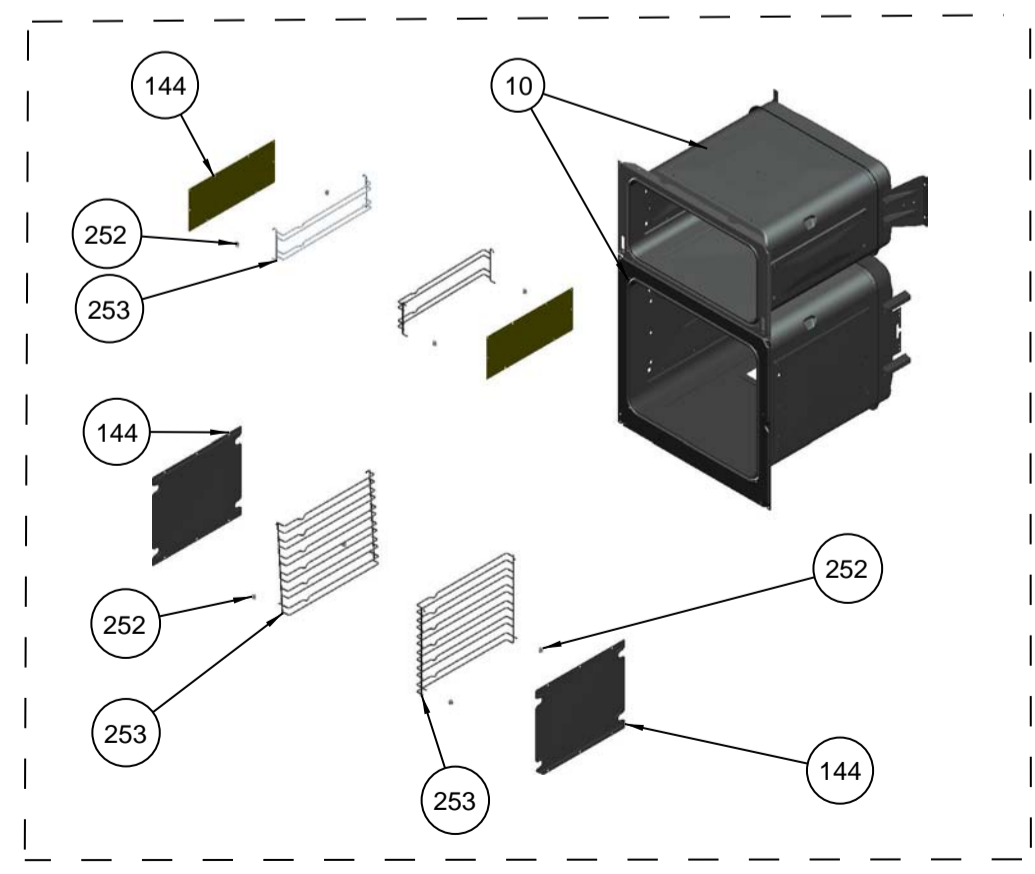
WIRE SHELF CAVITY ASSEMBLY WITH / WITHOUT CATALYTIC PANEL
OPTIONAL : TELESCOPIC RAIL (R / L)



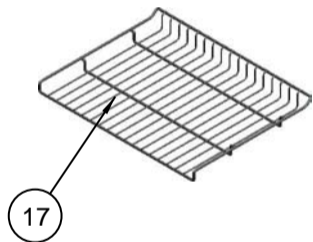
CAVITY ASSEMBLY WITH WIRE SHELF (OPTIONAL)



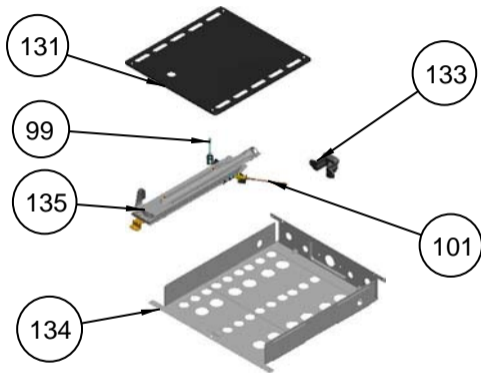
WIRE SHELF CAVITY ASSEMBLY WITH / WITHOUT CATALYTIC PANEL
OPTIONAL : DOUBLE TELESCOPIC RAILS (R / L)



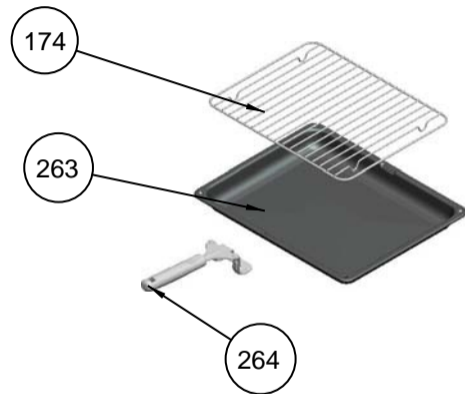
WIRE SHELF CAVITY ASSEMBLY WITH / WITHOUT CATALYTIC PANEL (OPTIONAL)



GRID (DB.OVEN,LOCKED)
(OPTIONAL)



OVEN BURNER GROUP
(OPTIONAL)



TRAY SET FOR GRID (POSITION NO : 265)
(OPTIONAL)