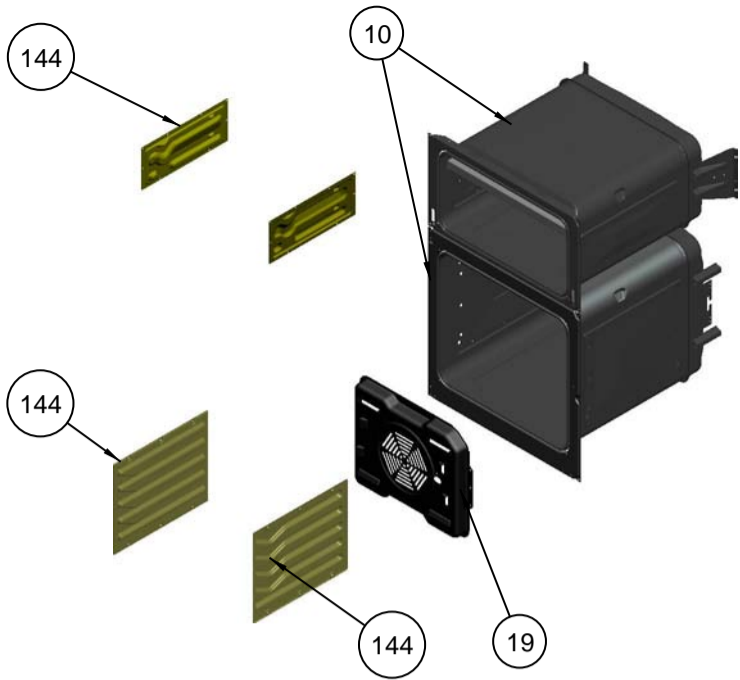
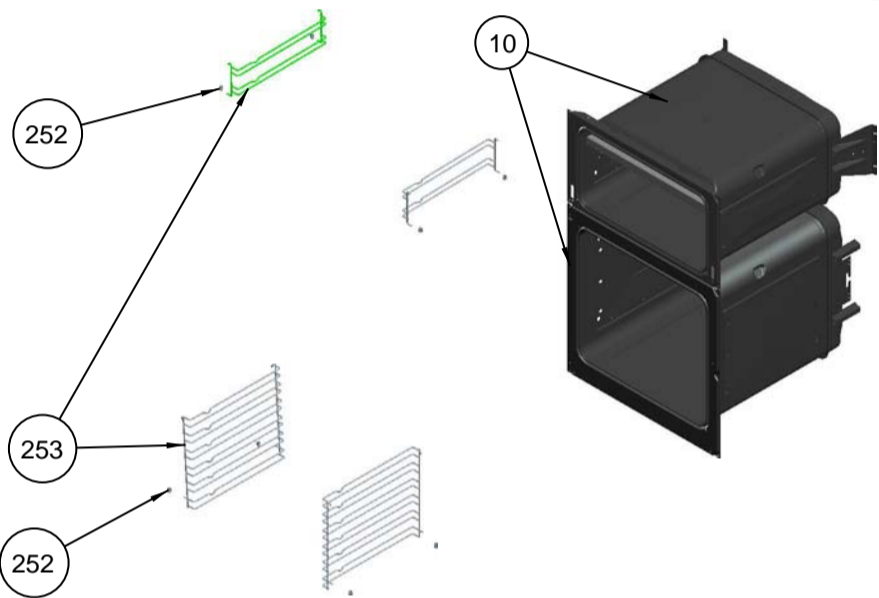


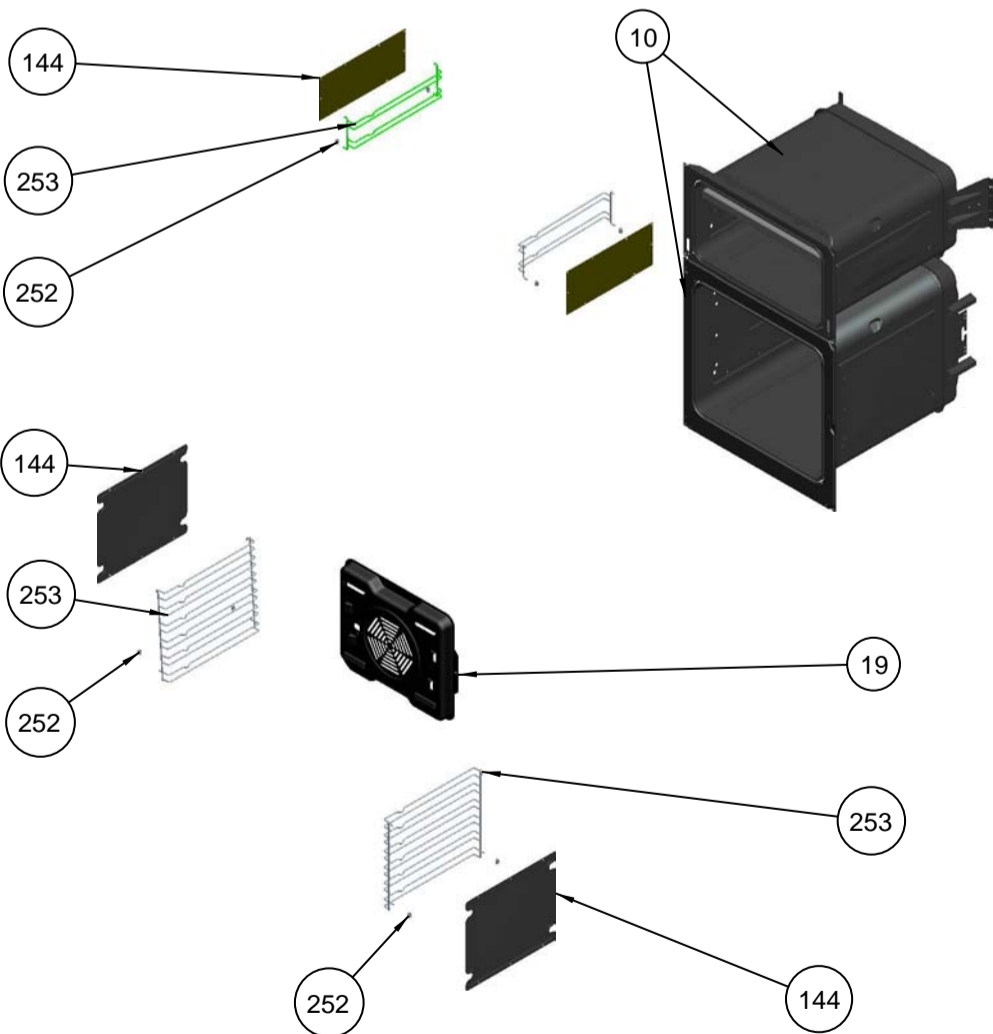
EXPLODED VIEW - CAVITY ASSEMBLY



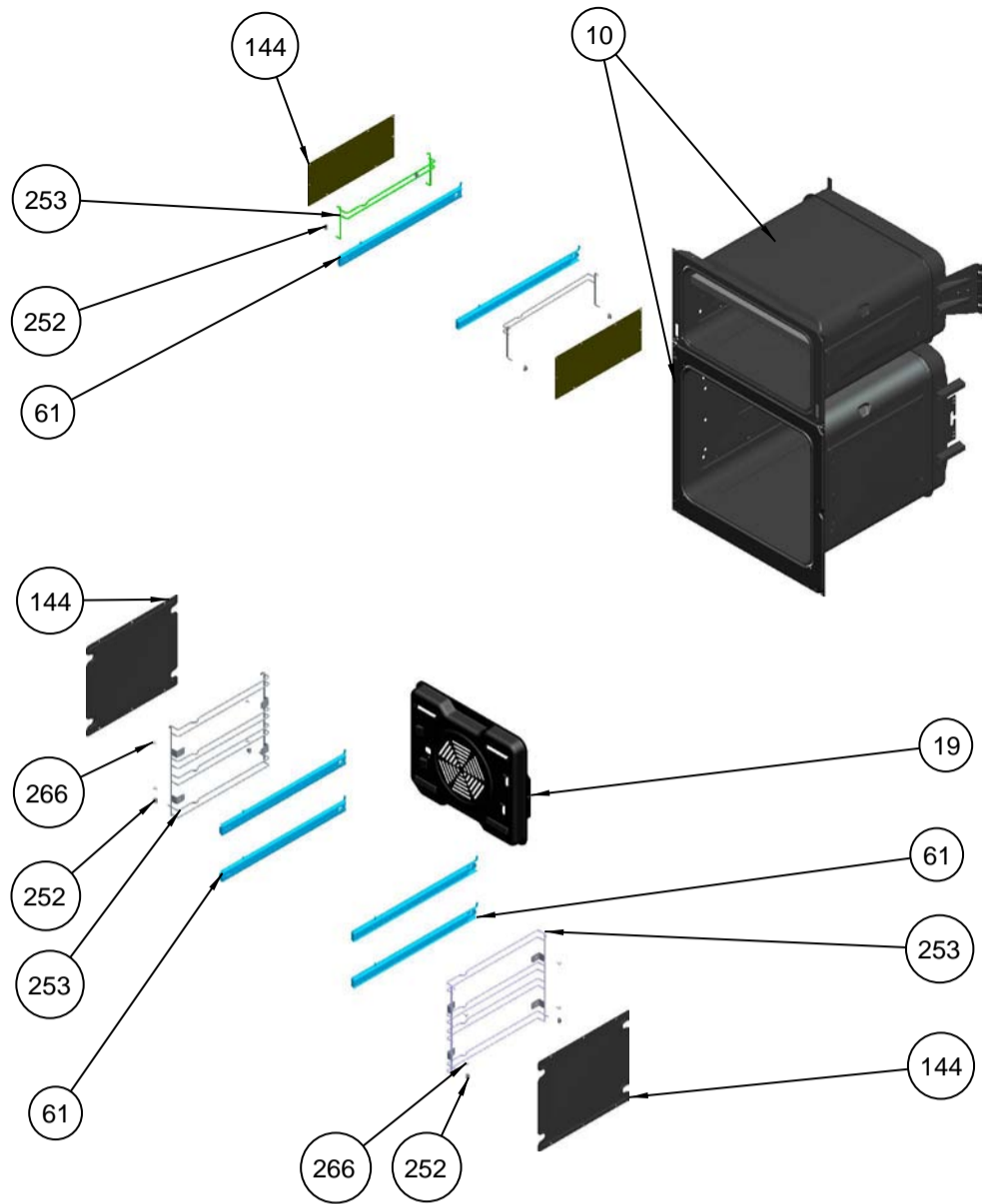
CAVITY ASSEMBLY WITH CATALYTIC SHELF  
(OPTIONAL)



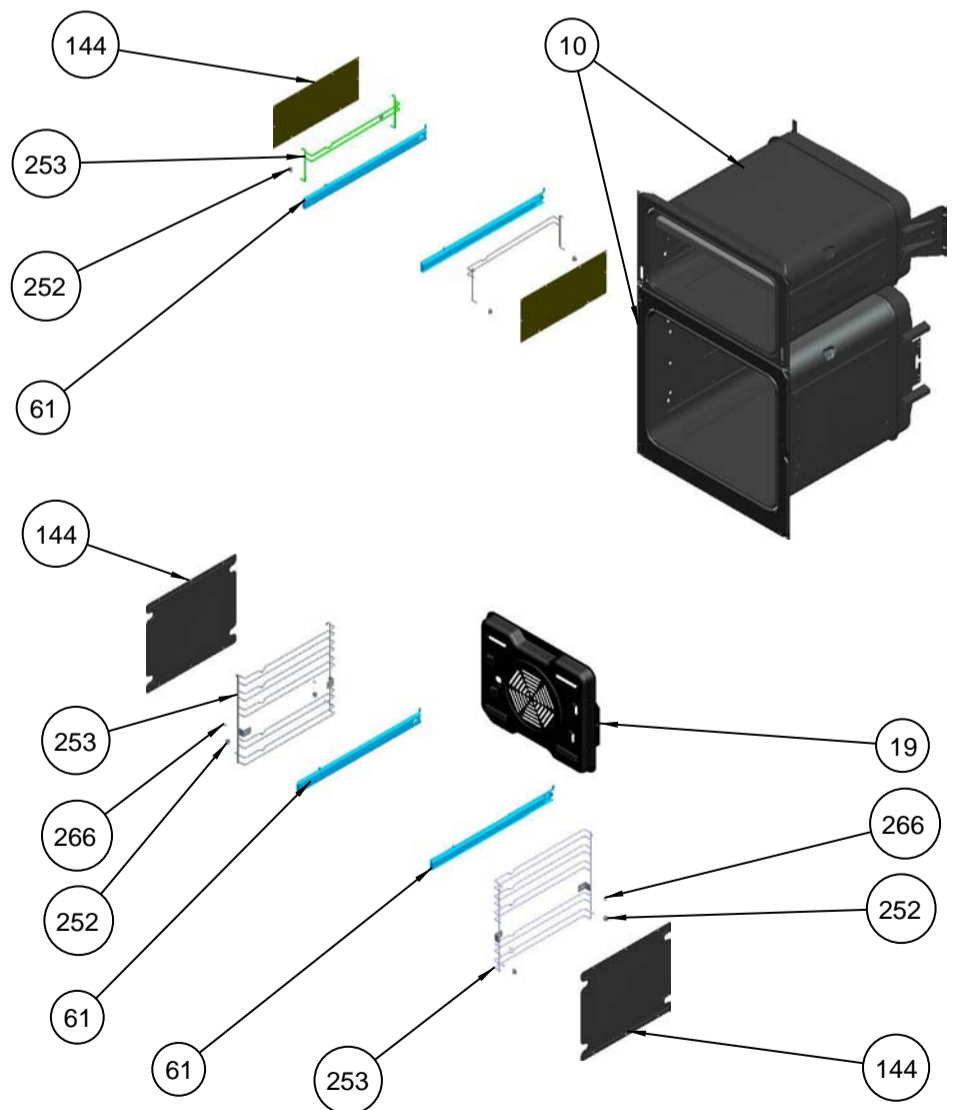
CAVITY ASSEMBLY WITH WIRE SHELF  
(OPTIONAL)



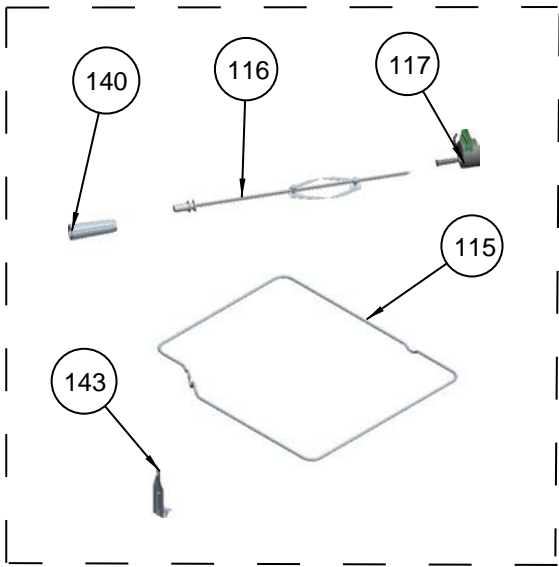
WIRE SHELF CAVITY ASSEMBLY WITH / WITHOUT CATALYTIC PANEL  
(OPTIONAL)



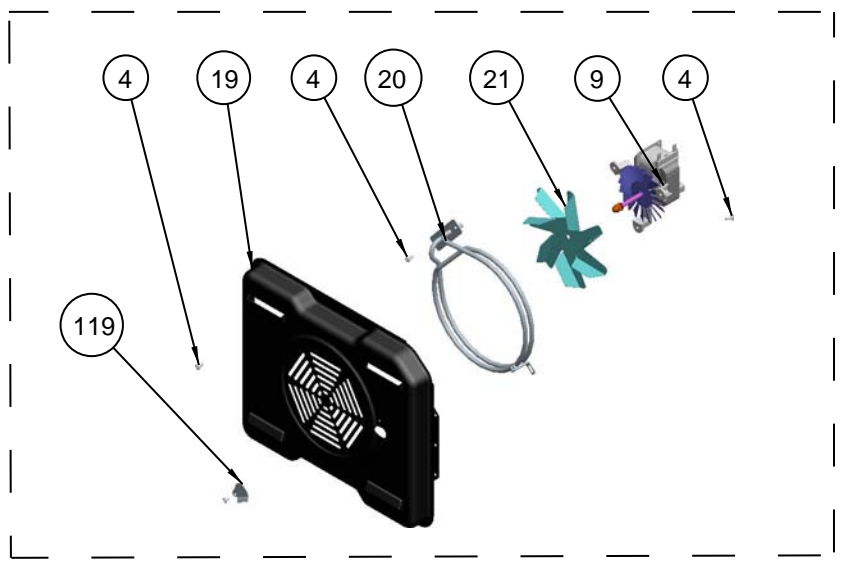
WIRE SHELF CAVITY ASSEMBLY WITH / WITHOUT CATALYTIC PANEL  
OPTIONAL : DOUBLE TELESCOPIC RAILS (R / L)



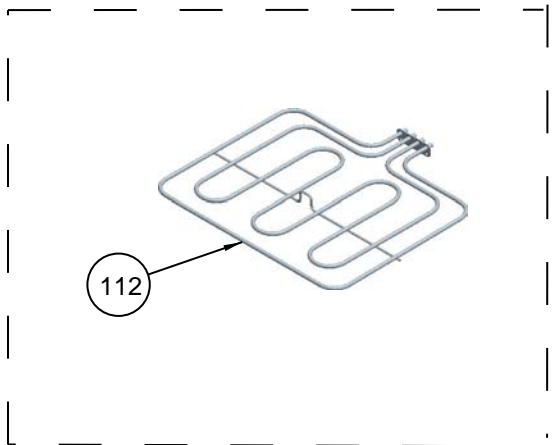
WIRE SHELF CAVITY ASSEMBLY WITH / WITHOUT CATALYTIC PANEL  
OPTIONAL : TELESCOPIC RAIL (R / L)



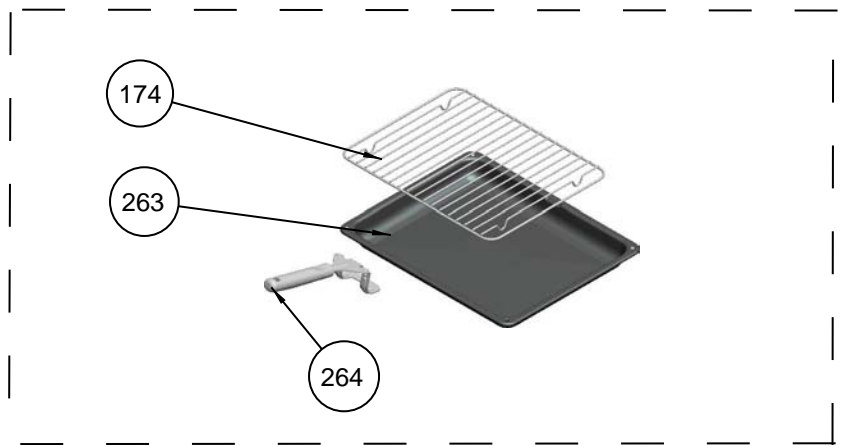
TURNSPIT (OPTIONAL)



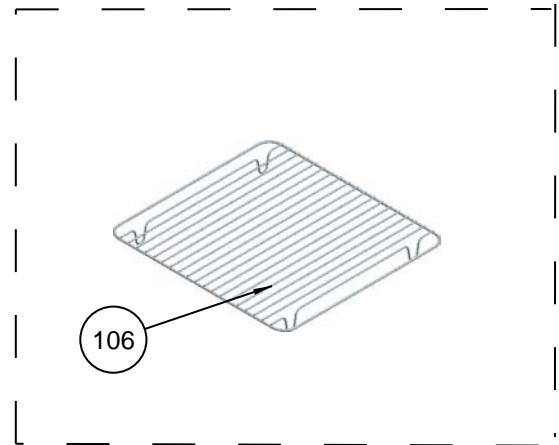
RING HEATING ELEMENT (WITH/FAN WITHOUT)  
(OPTIONAL)



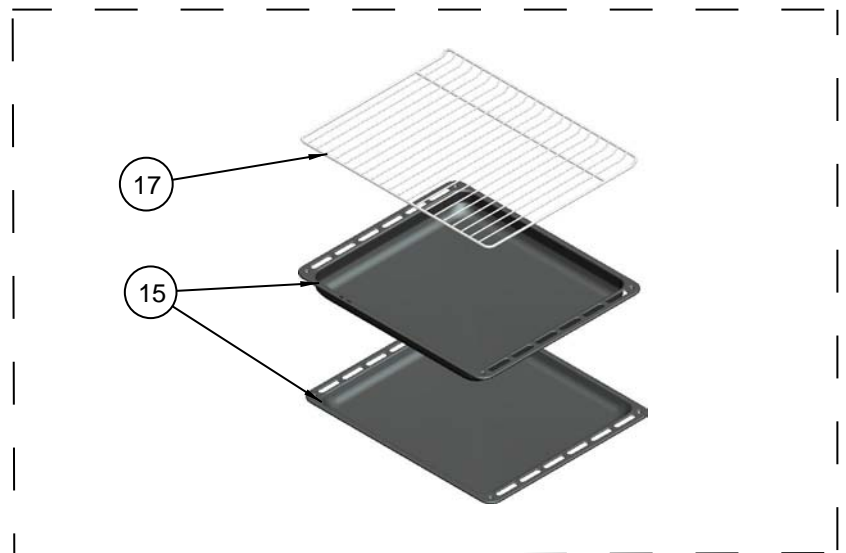
TOP AND GRILL HEATING ELEMENT  
(OPTIONAL)



TRAY SET FOR GRID (POSITION NO 265)  
(OPTIONAL)



DEEP TRAY GRID  
(OPTIONAL FOR DB.OVEN ELC)



TRAYS & GRID  
(OPTIONAL FOR DB.OVEN ELC)