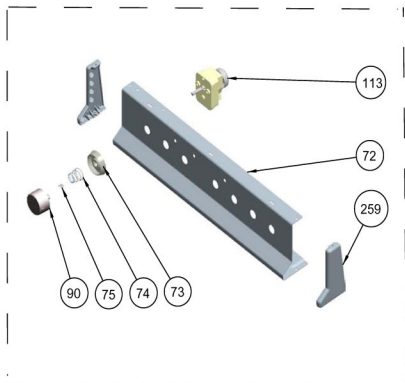
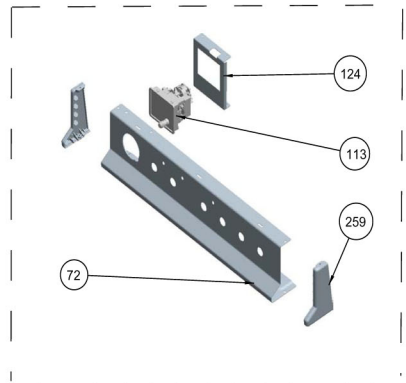


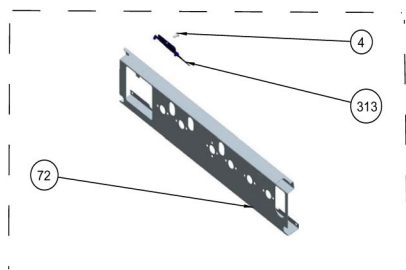
DIGITAL TIMER (OPTIONAL)



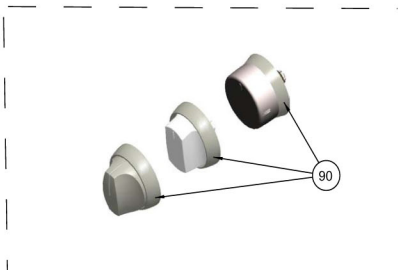
MECHANIC TIMER (OPTIONAL)



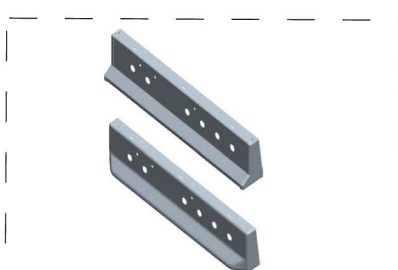
ANALOG TIMER (OPTIONAL)



DIGITAL TIMER INSULATION COVER AND INNER PANEL



KNOBS (OPTIONAL)



FRONT PANELS (OPTIONAL)