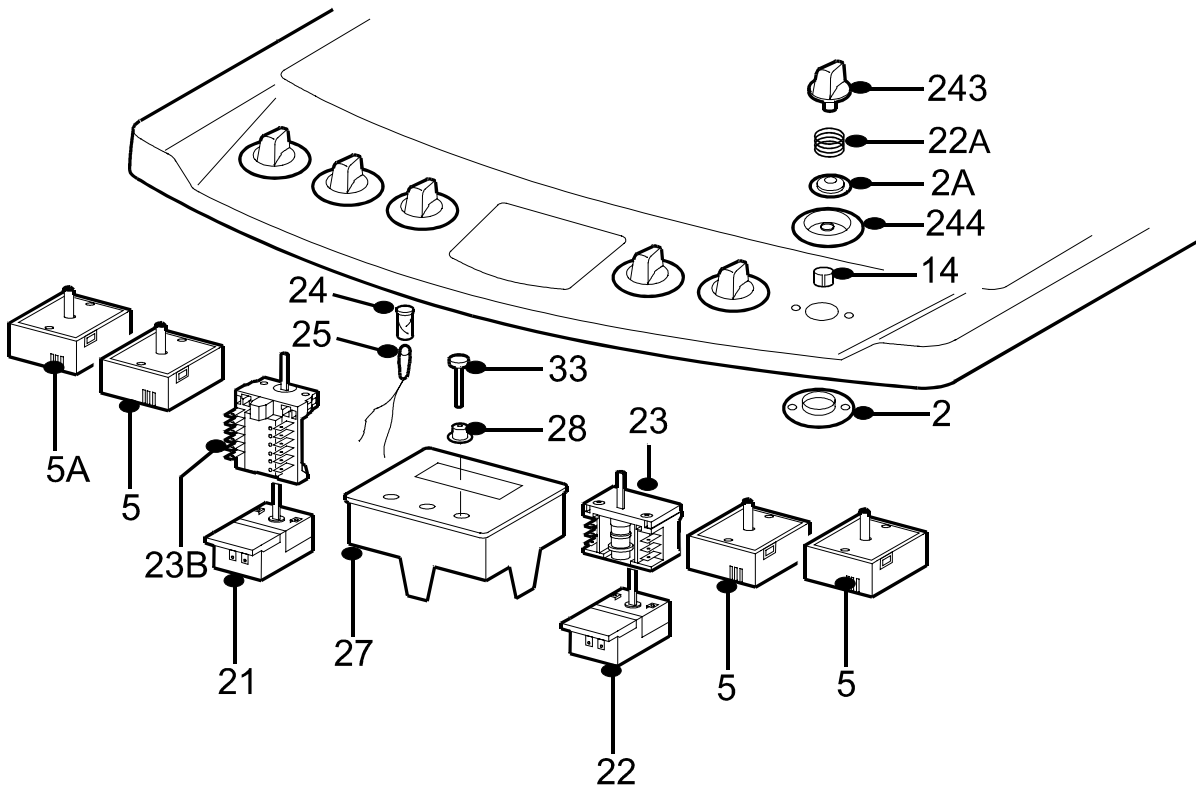


**CONTROL PANEL ASSY
NH102054708D**

Up to Serial No. 411



From Serial No. 412

