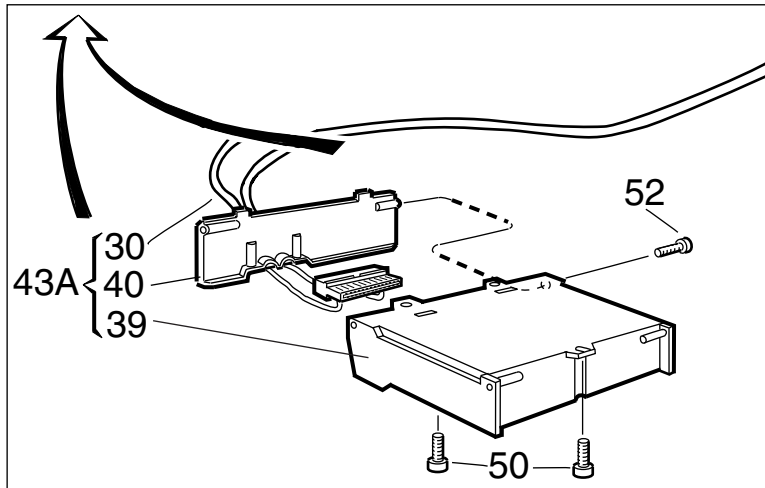
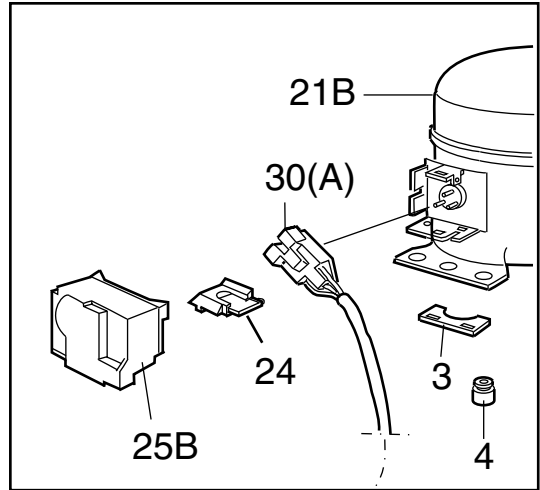
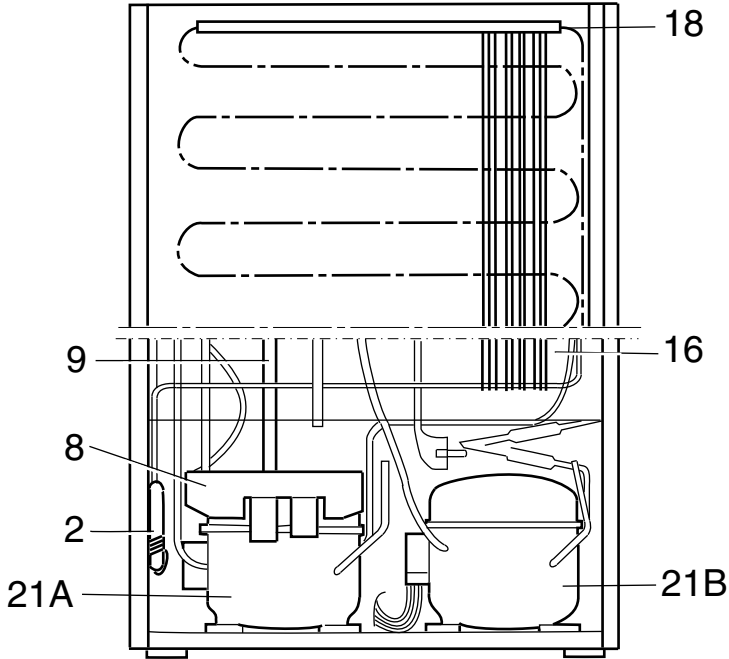
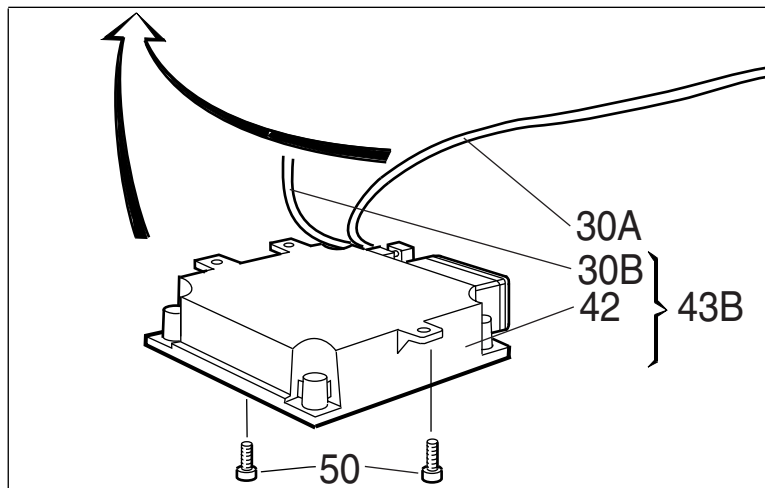


AN  
NE9282013754



Ser. no. : -135



Ser. no. : 136 -