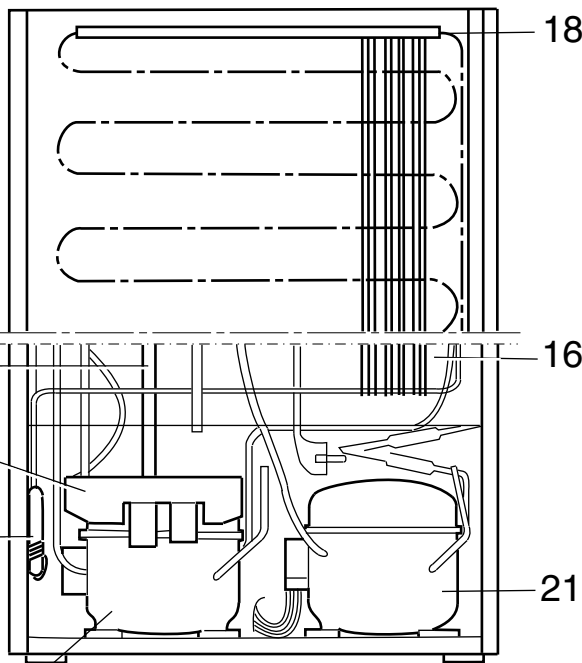
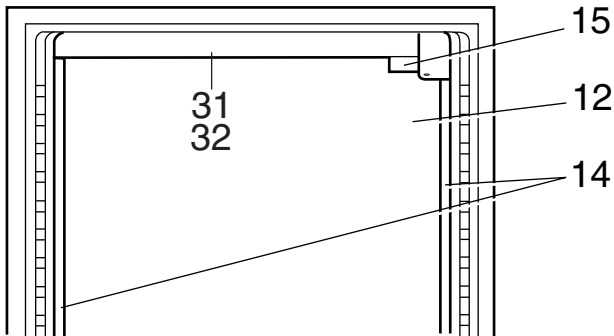
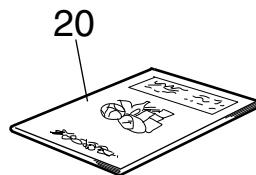
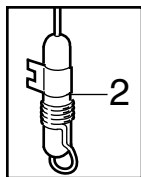


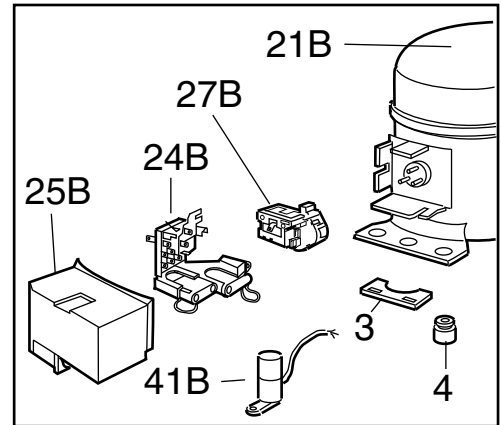
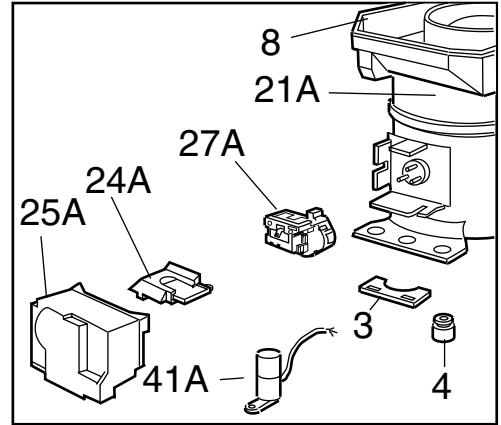
15



21A



Serial no. - 248xxxx



Serial no. 249xxxx -

