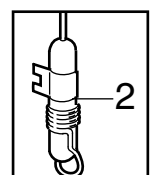
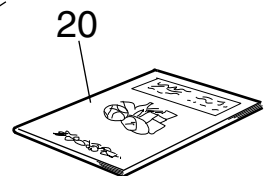
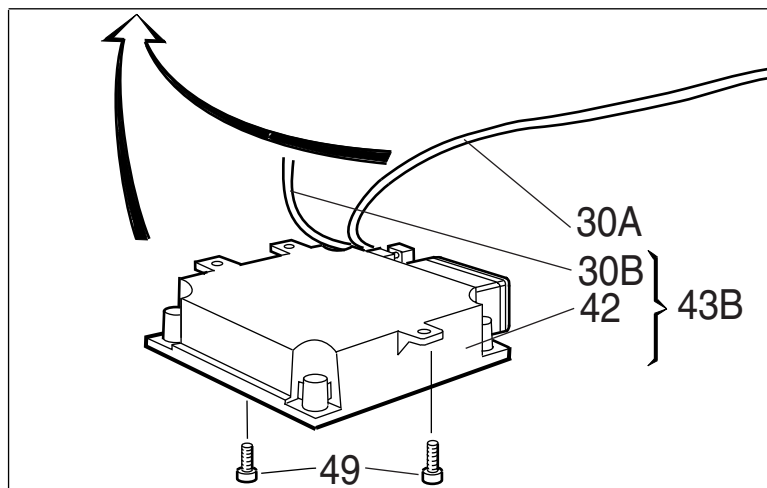
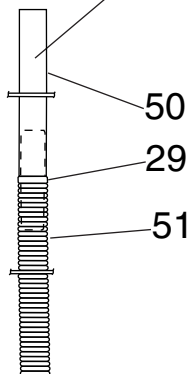
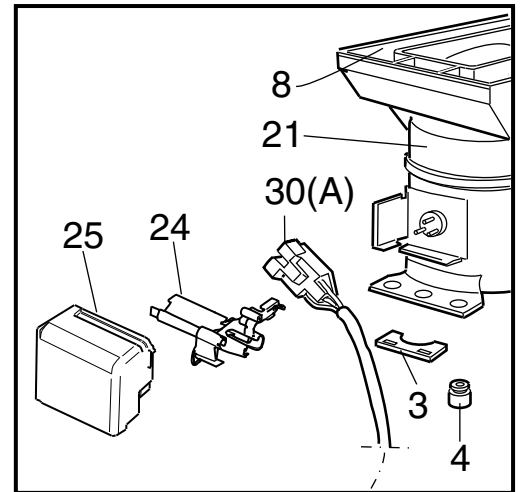
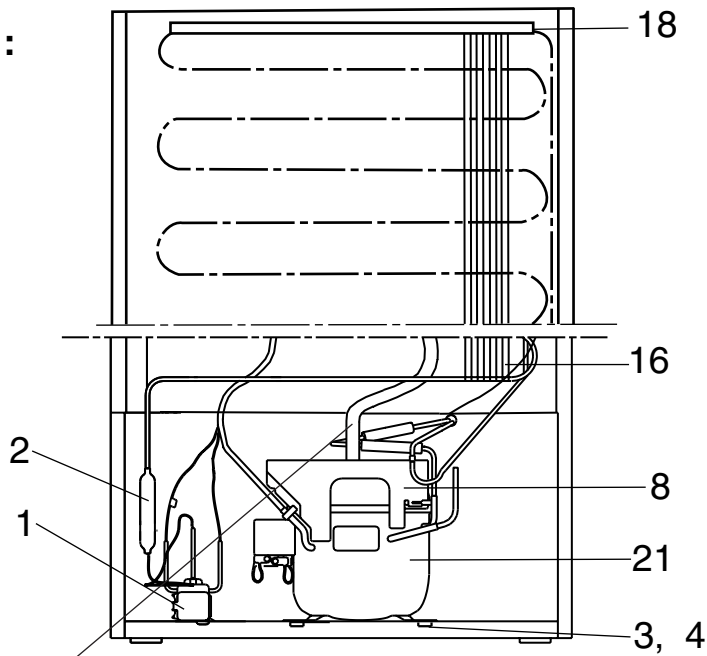


Ser. no. :  
335 -



AN  
NE9252001012