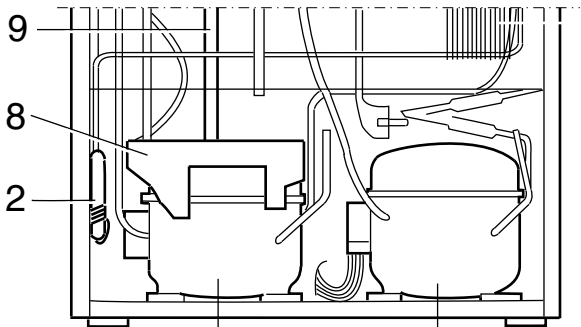
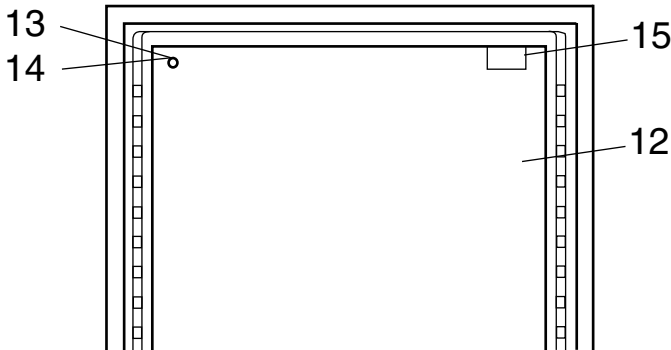
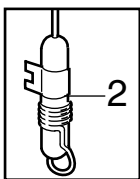
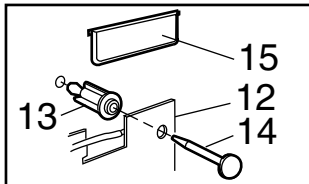
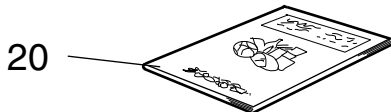


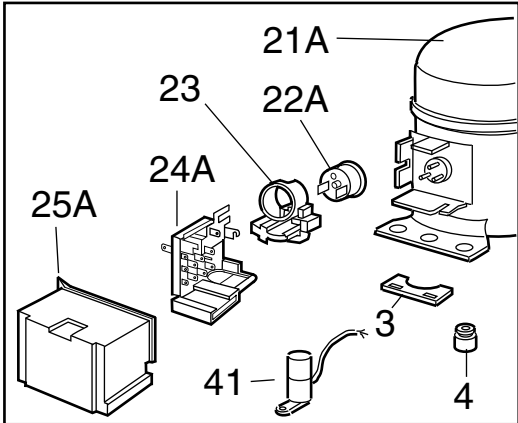
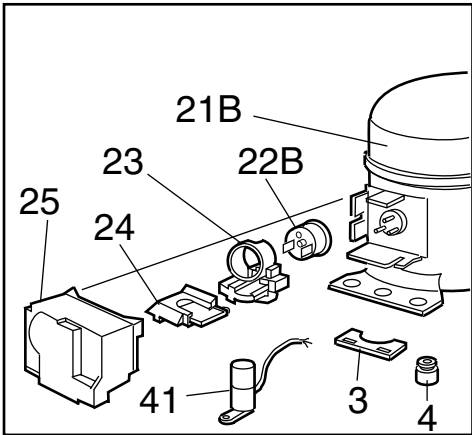
Serial no. - 0034



21A

21B

AN
NE50C1017188



Serial no. 0035 -

