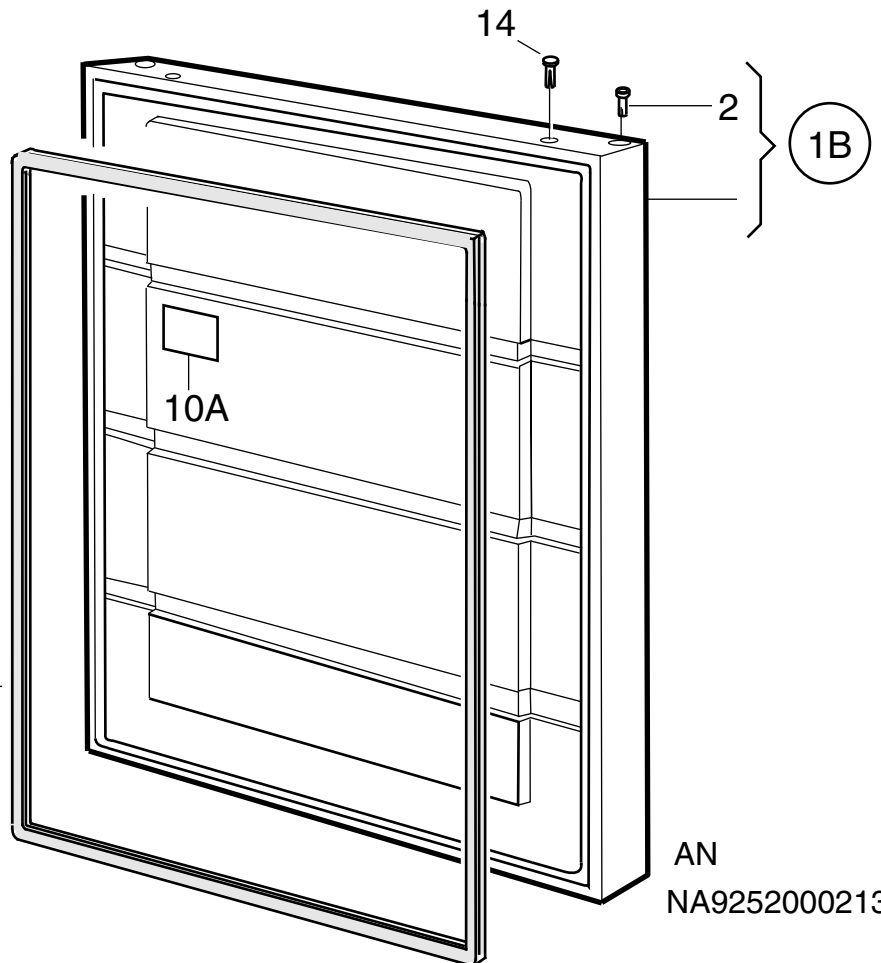
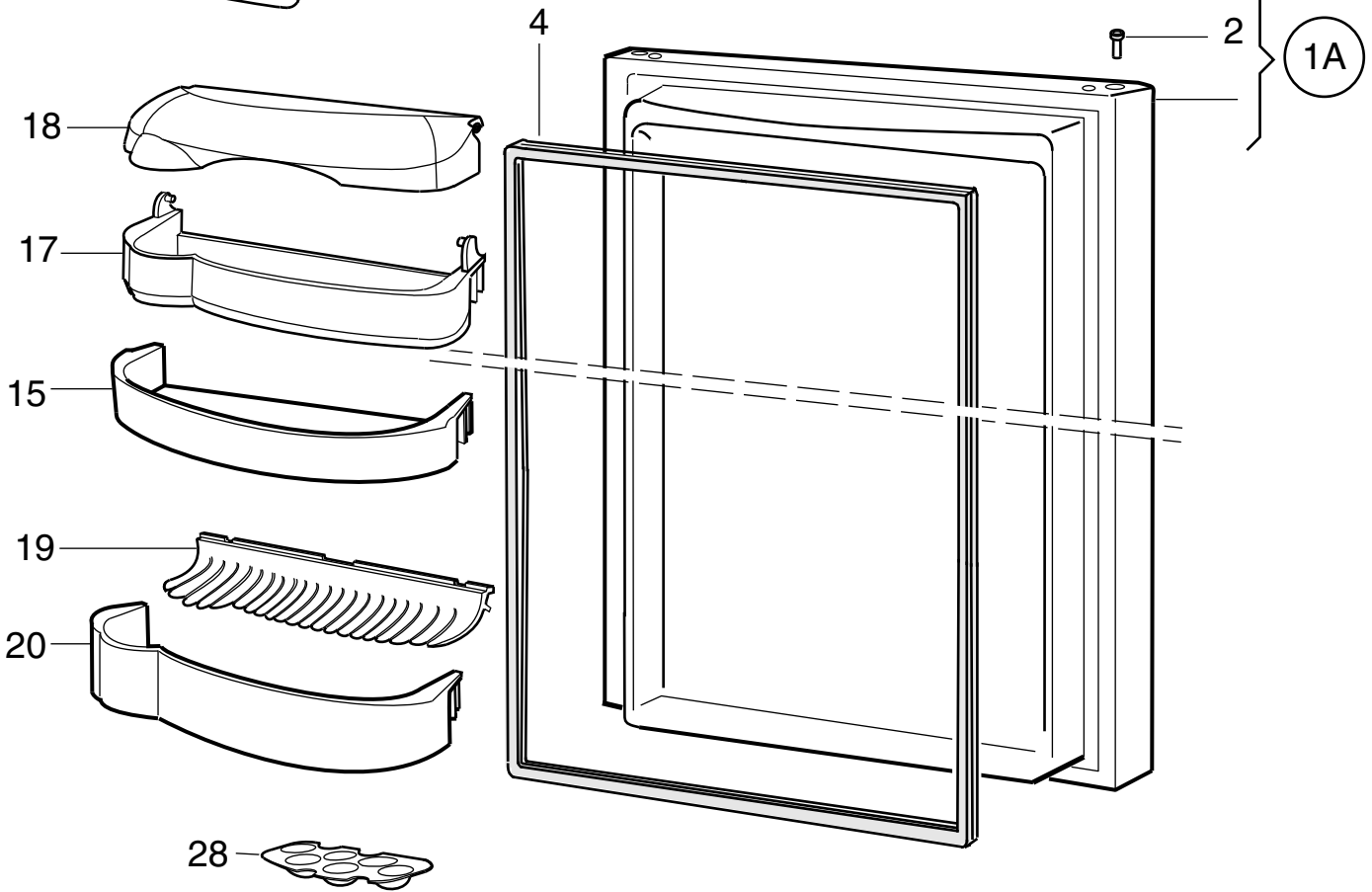


Tillhör pos 1A,1B
Belongs to pos 1A,1B



4
Tillhör pos 1A,1B
Belongs to pos 1A,1B

AN
NA9252000213