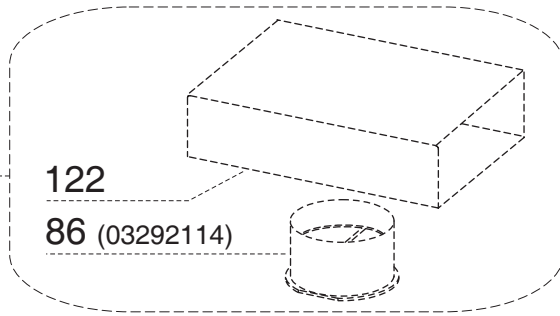


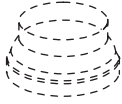
FILTERING KIT
080810609



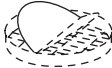
122

86 (03292114)

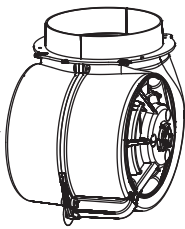
58



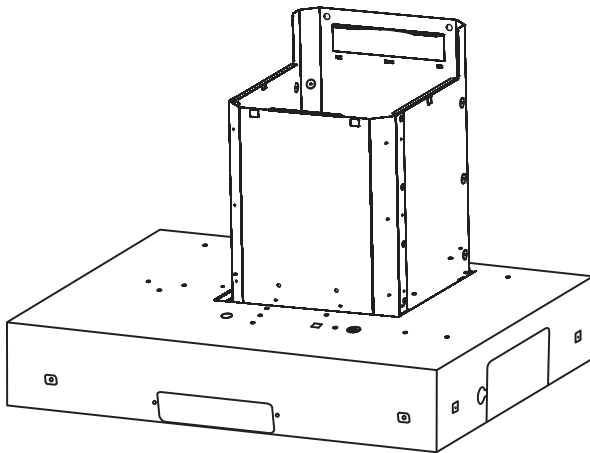
86 (08088362)



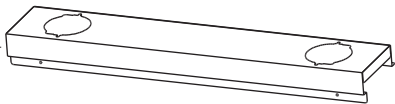
CAS



998



17



67

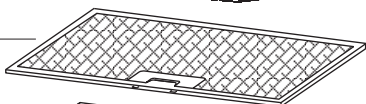


474

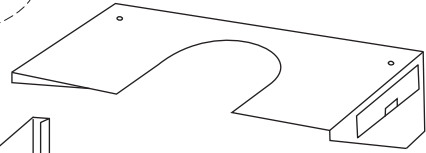
472

9

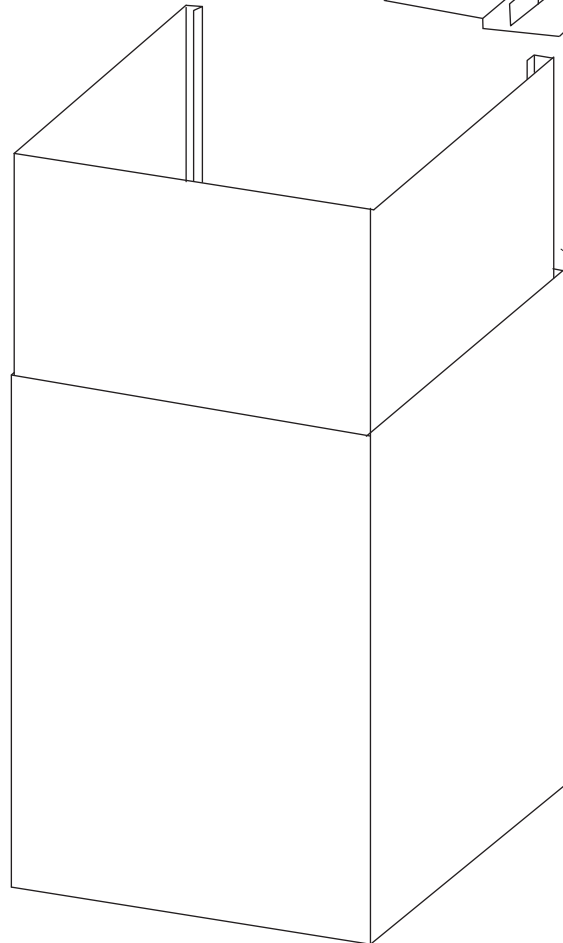
ASU



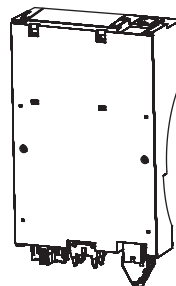
120



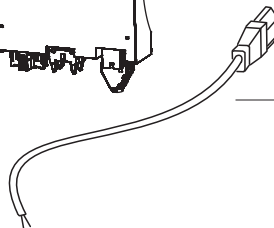
485



IME



60



AQI

