

## Prevent Water leaking out of the valve

### DESCRIPTION:

This belongs to the Top load washing machine with a HOT & Cold water inlet valve. If only have a cold water tap; when installing the water inlet hose, you not remove the hot water inlet hose from the washing machine (Fig.1) and not fit a blank cap to HOT water inlet valve (Fig.2). The water may leak out of the valve.

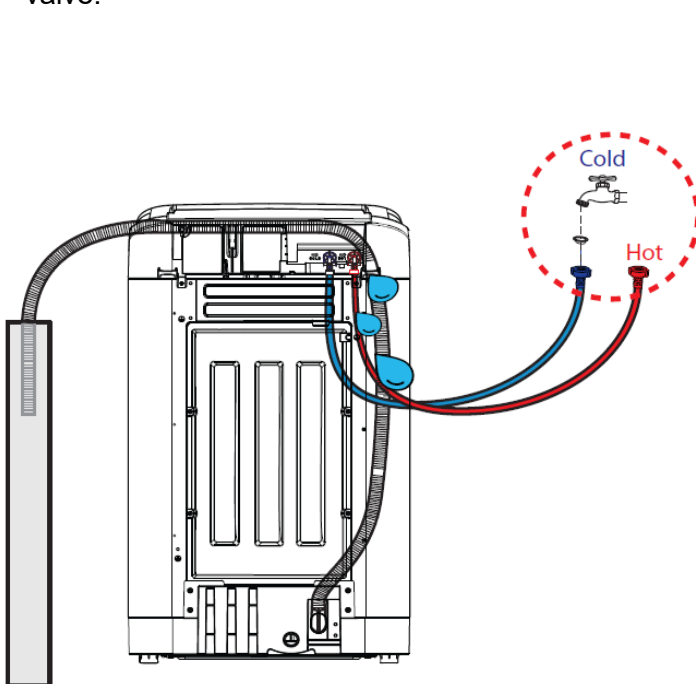


Fig.1 Not remove the hot water inlet hose

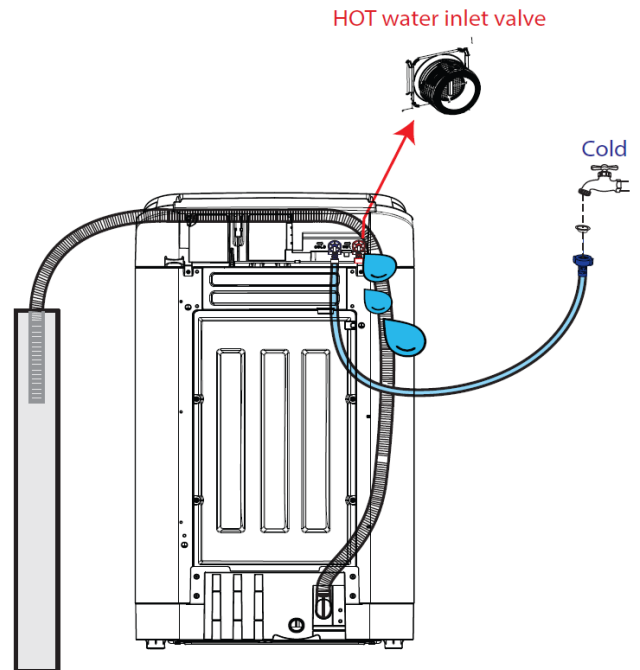


Fig.2 Not Fit a blank cap to hot water inlet valve

### Table1: MODEL'S INVOLVED :

PNC	ELC	MODEL
913041211	ALL	EWT1174M7WA
913041228	ALL	EWT1374M7WA
913041229	ALL	EWT1374M7SA
913041230	ALL	EWT1574M7WA
913041231	ALL	EWT1574M7SA
913041232	ALL	EWT1374M7WA
913041235	ALL	EWT1274M7SA

### SOLUTION:

1. To fix the issue in the field, Remove the hot water inlet hose with the RED ends from the washing machine and fit a blank cap (with a sealing washer) to the HOT water inlet valve as shown in Fig.

2. With cold water tap only, must only select cold water temperatures on program setting.

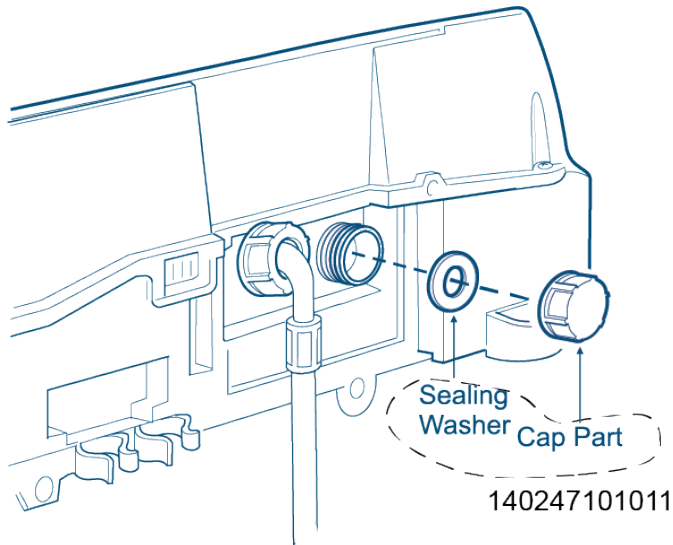


Fig.3 Blank cap with sealing washer fit to hot water inlet valve

**SPARE PART NUMBER:**

Spare part code	Description
140247101011	Cap,inlet valve,sealing

**REVISION:**

Revision	Date	Description	Author	Approved by
01	07/07/2022	Document Creation	Wanravee Schuaphudee	Ashipa Su-angkawatin